

Distributed by:

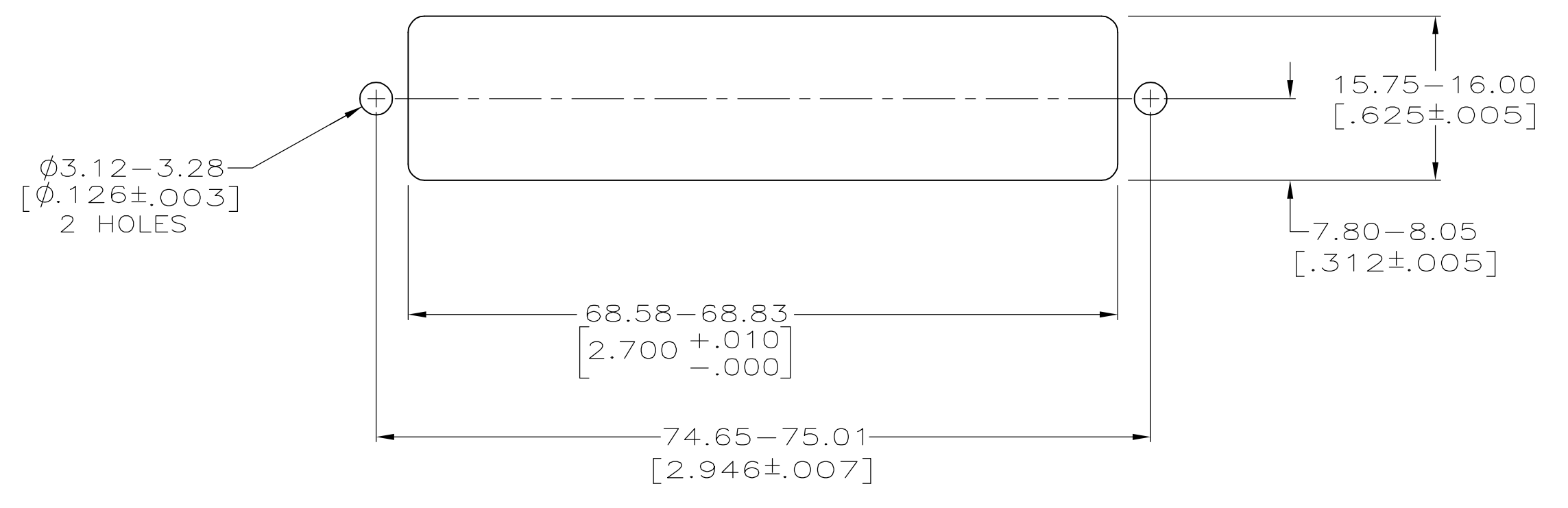
JAMECO[®]
ELECTRONICS

www.Jameco.com ♦ 1-800-831-4242

The content and copyrights of the attached
material are the property of its owner.

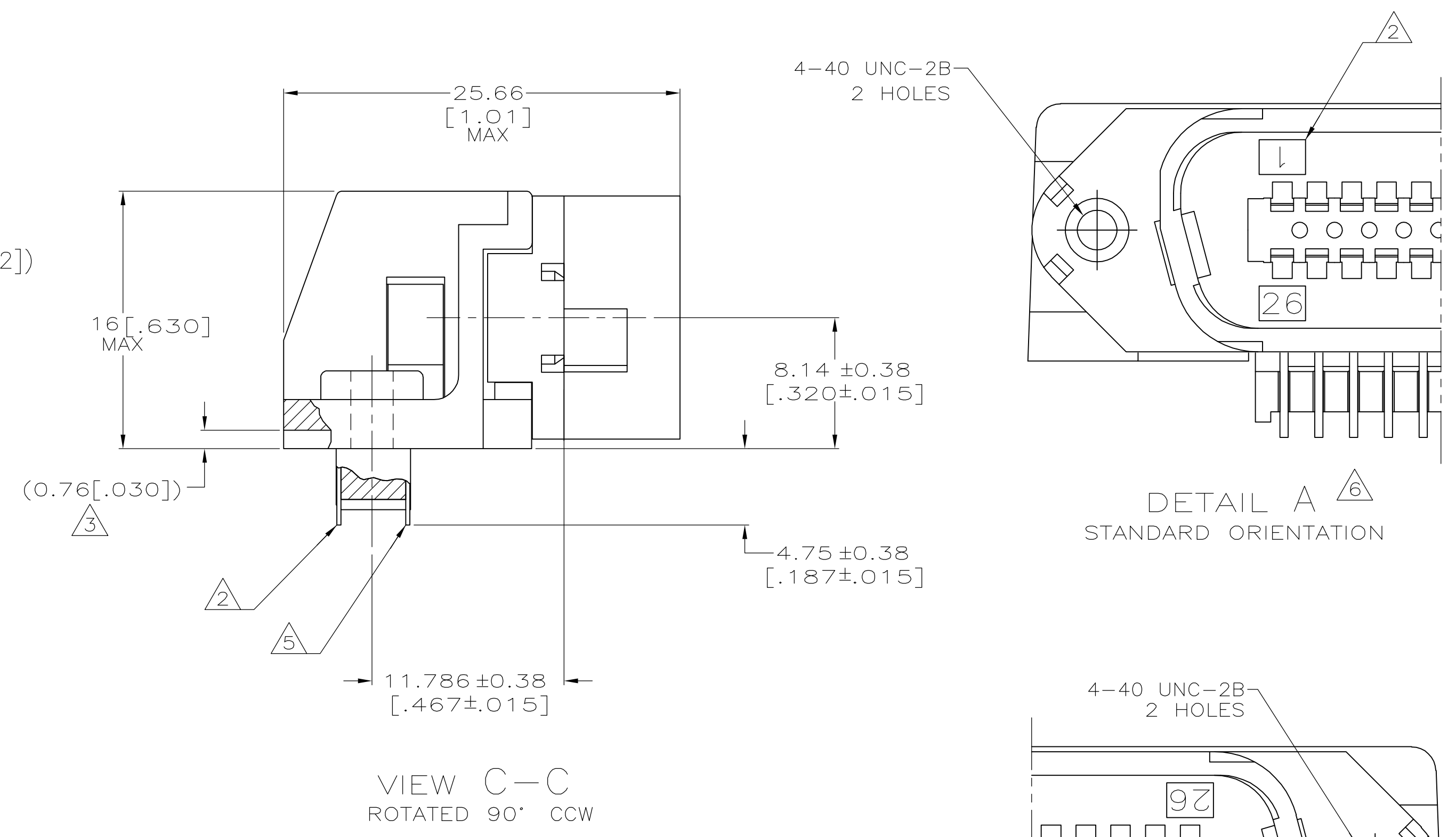
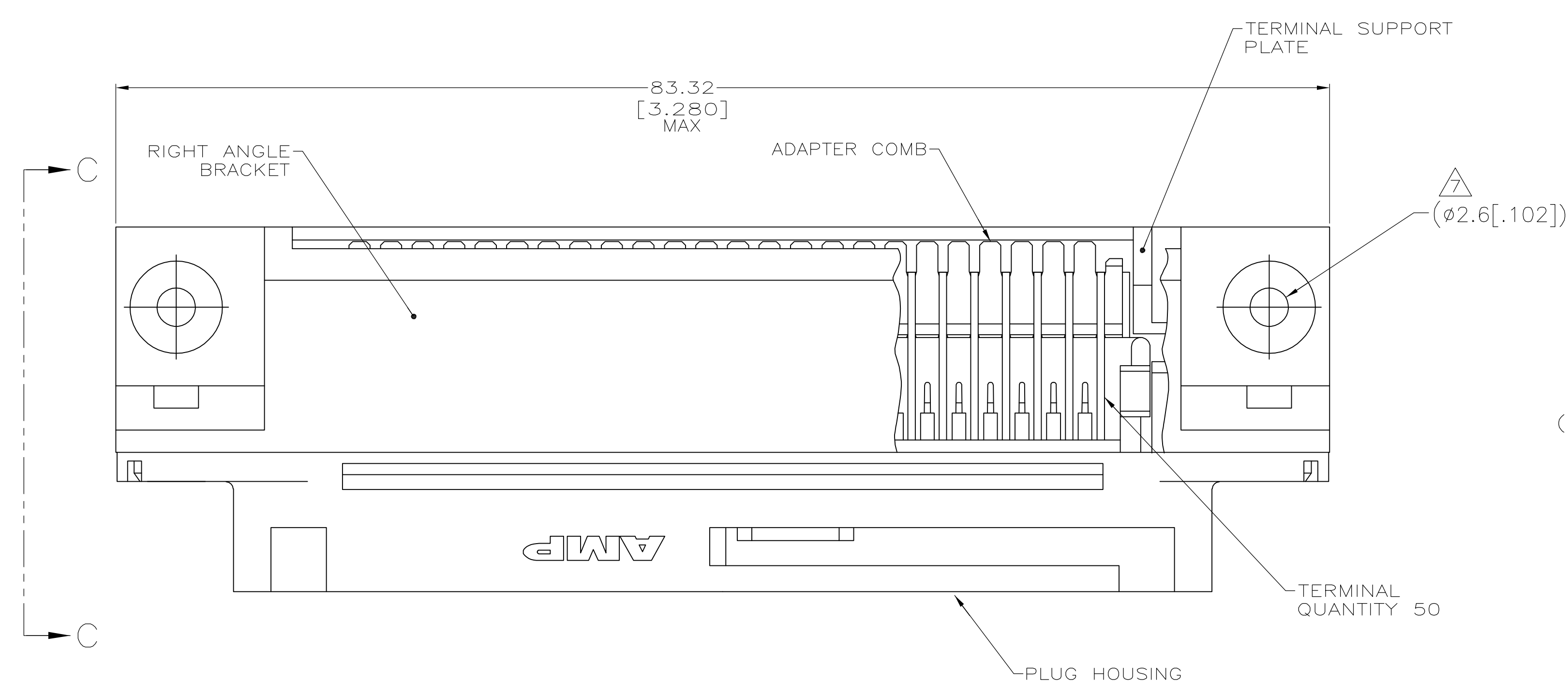
Jameco Part Number 957591

LOC		DIST		REVISIONS			
F	LTR	DESCRIPTION	DATE	DRN	APVD		
0		RELEASED PER EC OS13-0542-04	10AUG05	BM	WM		



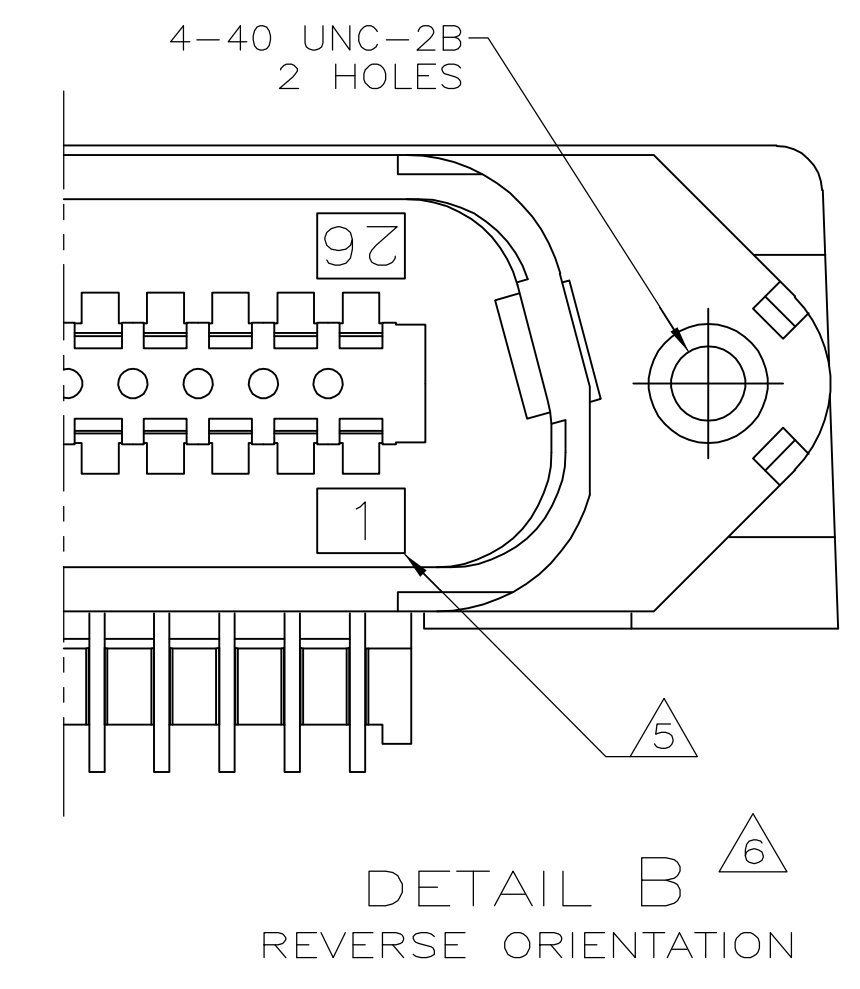
SUGGESTED REAR PANEL MOUNTING CUTOUT DIMENSIONS SCALE 2:1

- 1 MATERIAL: HOUSING, BRACKET, PLATE AND COMB - THERMOPLASTIC, BLACK, 94V-0 RATED. TERMINALS-TAILS - TIN OVER NICKEL PLATED HIGH STRENGTH COPPER ALLOY. MATING SURFACE - LOCALIZED GOLD OVER NICKEL PLATED HIGH STRENGTH COPPER ALLOY.
- 2 TERMINAL 1 IS LOCATED IN THIS ROW FOR STANDARD ORIENTATION, 5552726-1 ONLY.
- 3 TERMINAL SUPPORT PLATE CLEARANCE FOR TERMINAL STRAIN RELIEF AND FLUX REMOVAL.
- 4 MAXIMUM PANEL THICKNESS: 1.57[.062].
- 5 TERMINAL 1 IS LOCATED IN THIS ROW FOR REVERSE ORIENTATION, 5552726-3 ONLY.
- 6 DETAILS "A" AND "B" ARE VIEWED FROM MATING SIDE OF RECEPTACLE ASSEMBLY.
- 7 FOR USE WITH A NO.4 BT TYPE SELF-TAPPING SCREW.

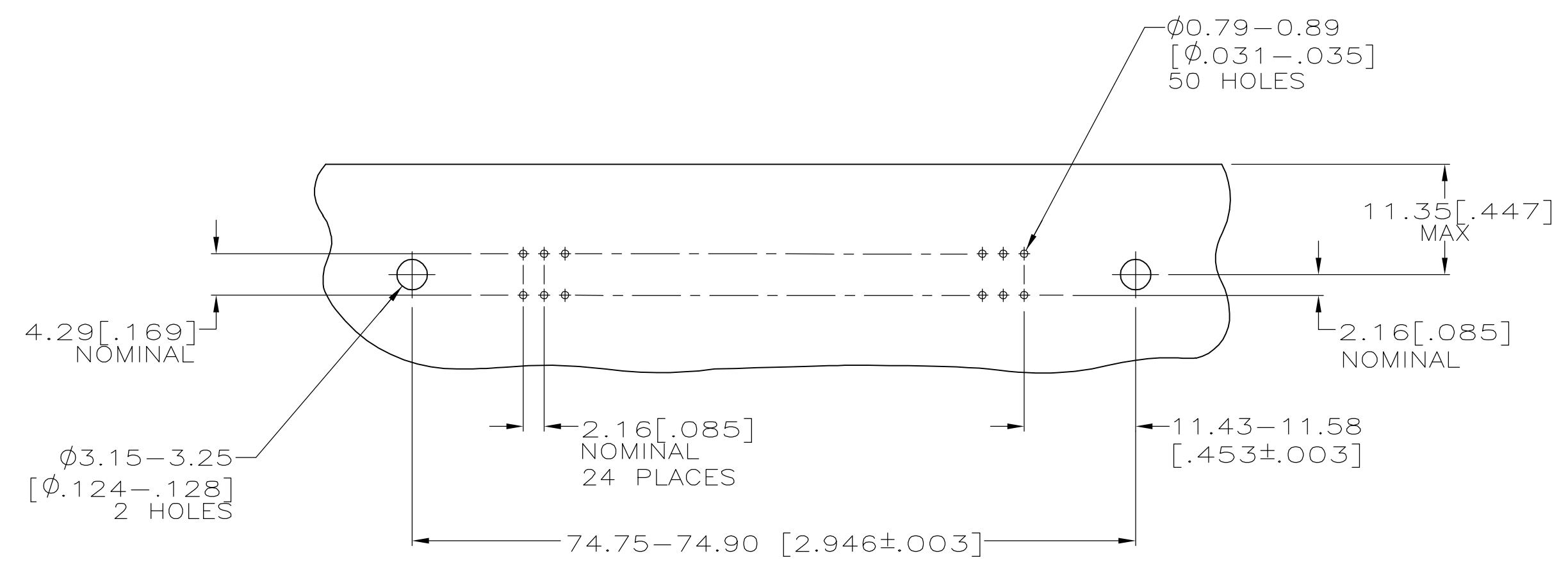


VIEW C-C ROTATED 90° CCW

DETAIL A STANDARD ORIENTATION



DETAIL B REVERSE ORIENTATION



SUGGESTED PRINTED CIRCUIT BOARD MOUNTING DIMENSIONS SCALE 2:1

TYPE OF MOUNTING	DESCRIPTION	PART NUMBER
SELF TAPPING 7	SEE DETAIL B 5	5552726-3
SELF TAPPING 7	SEE DETAIL A 5	5552726-1

THIS DRAWING IS A CONTROLLED DOCUMENT.		DWN S2	MCMMASTER	10AUG05	tyco Electronics		Tyco Electronics Corporation Harrisburg, Pa 17105-3608	
DIMENSIONS: mm [INCHES]		CHK W	MILLHIMES	10AUG05	NAME		PLUG ASSEMBLY, 50 POSITION, RIGHT ANGLE, SELF TAPPING, CHAMP®	
TOLERANCES UNLESS OTHERWISE SPECIFIED:		APRD M	WALLMSLEY	10AUG05	PRODUCT SPEC		SIZE CAGE CODE DRAWING NO RESTRICTED TO	
0 PLC ± -	1 PLC ± -	APPLICATION SPEC		WEIGHT -		A1 00779 ©=5552726		
2 PLC ± -	3 PLC ± 0.13[.005]	MATERIAL 1		CUSTOMER DRAWING		SCALE 4:1 SHEET 1 OF 1 REV 0		
4 PLC ± -	ANGLES ± -	FINISH 1						