

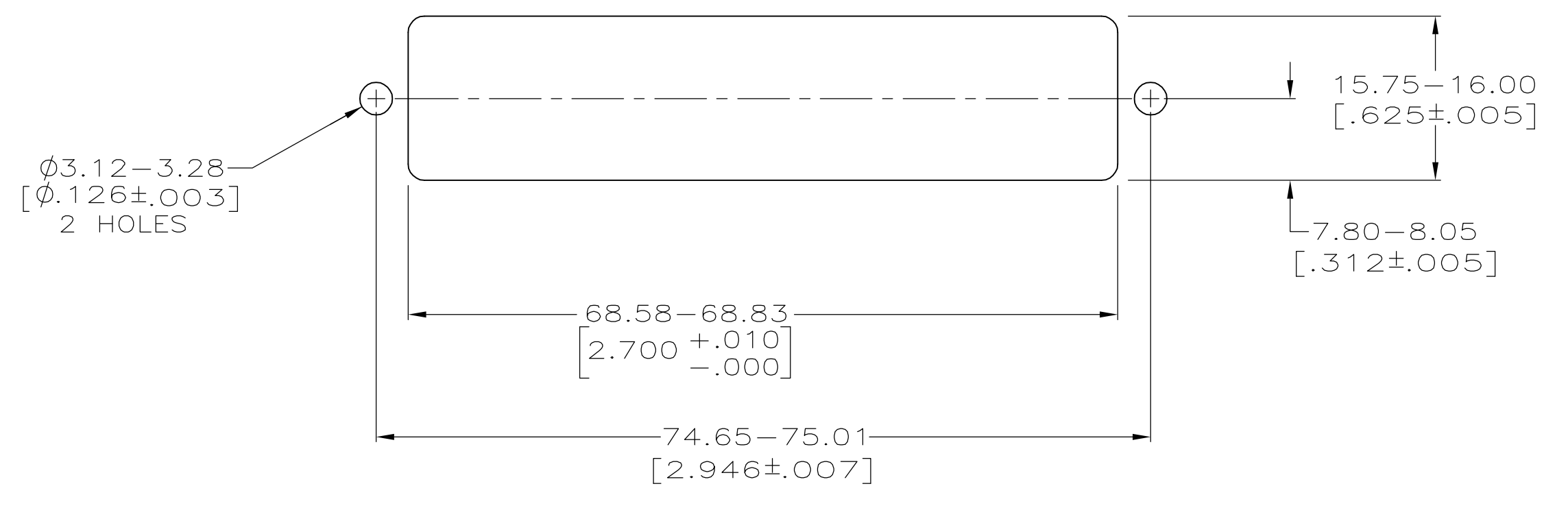
Distributed by:

JAMECO[®]
ELECTRONICS

www.Jameco.com ♦ 1-800-831-4242

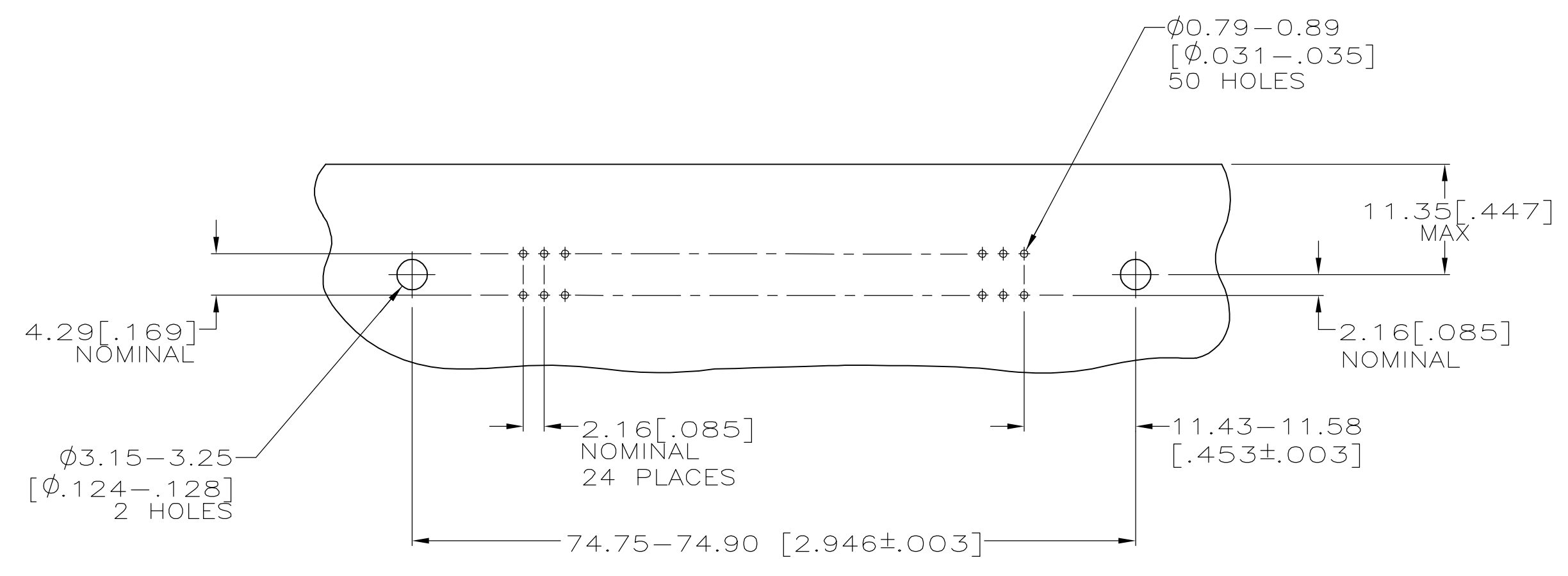
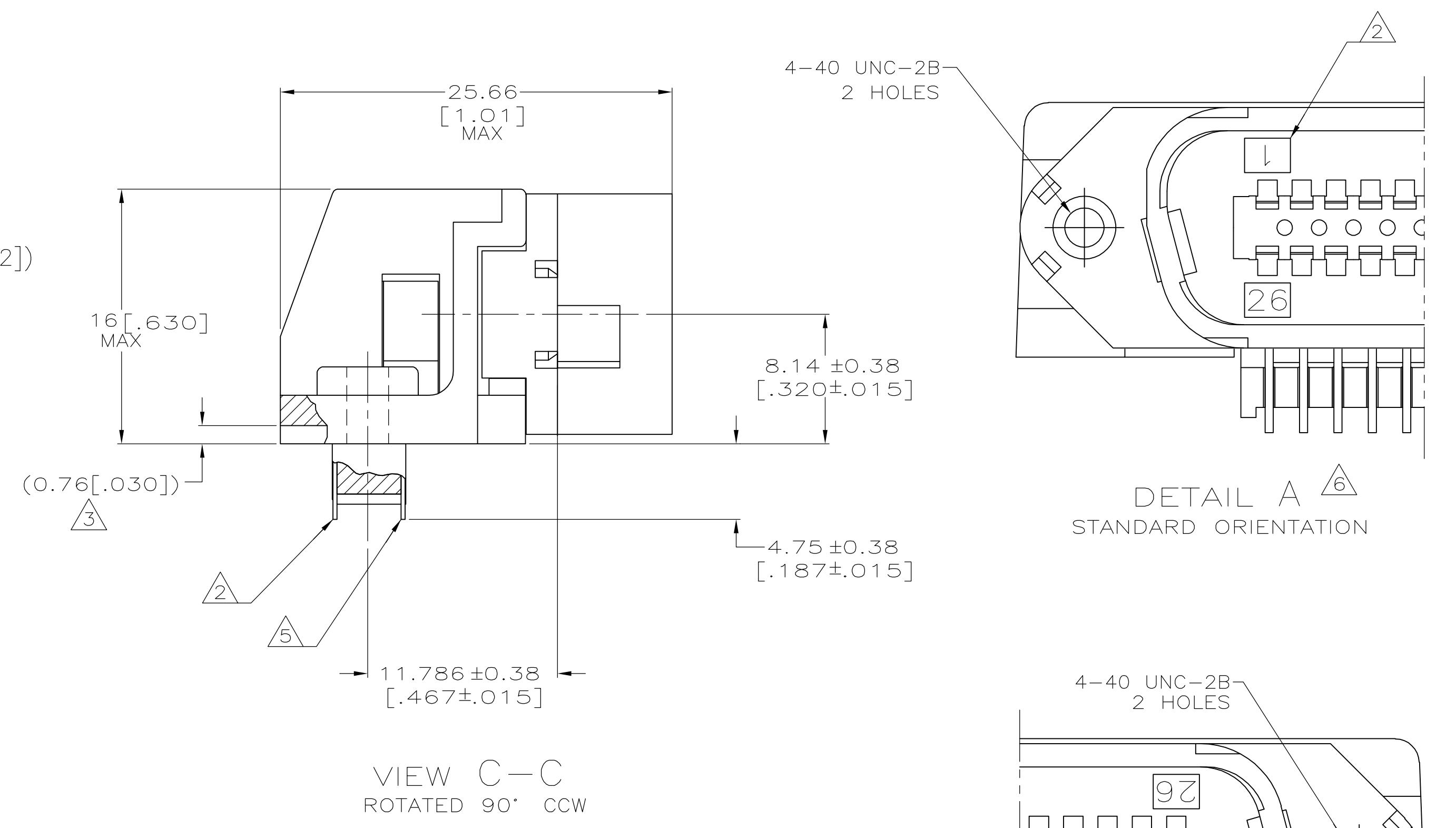
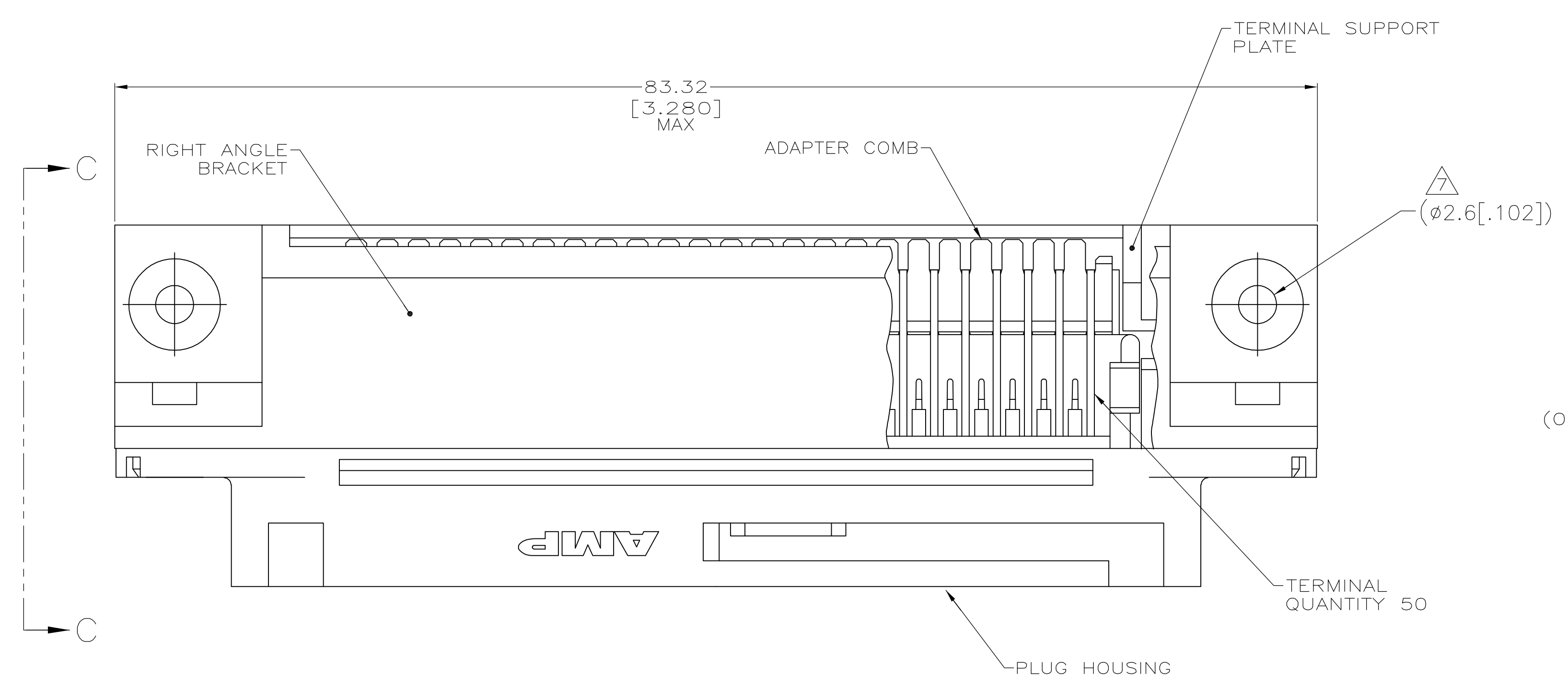
The content and copyrights of the attached
material are the property of its owner.

Jameco Part Number 957611



SUGGESTED REAR PANEL MOUNTING CUTOUT DIMENSIONS
 SCALE 2:1

- 1 MATERIAL: HOUSING, BRACKET, PLATE AND COMB - THERMOPLASTIC, BLACK, 94V-0 RATED.
 TERMINALS-TAILS - TIN OVER NICKEL PLATED HIGH STRENGTH COPPER ALLOY.
 MATING SURFACE - LOCALIZED GOLD OVER NICKEL PLATED HIGH STRENGTH COPPER ALLOY.
- 2 TERMINAL 1 IS LOCATED IN THIS ROW FOR STANDARD ORIENTATION, 5552726-1 ONLY.
- 3 TERMINAL SUPPORT PLATE CLEARANCE FOR TERMINAL STRAIN RELIEF AND FLUX REMOVAL.
- 4 MAXIMUM PANEL THICKNESS: 1.57[.062].
- 5 TERMINAL 1 IS LOCATED IN THIS ROW FOR REVERSE ORIENTATION, 5552726-3 ONLY.
- 6 DETAILS "A" AND "B" ARE VIEWED FROM MATING SIDE OF RECEPTACLE ASSEMBLY.
- 7 FOR USE WITH A NO.4 BT TYPE SELF-TAPPING SCREW.



SUGGESTED PRINTED CIRCUIT BOARD MOUNTING DIMENSIONS
 SCALE 2:1

TYPE OF MOUNTING	DESCRIPTION	PART NUMBER
SELF TAPPING	SEE DETAIL B	5552726-3
SELF TAPPING	SEE DETAIL A	5552726-1

THIS DRAWING IS A CONTROLLED DOCUMENT.

DW	SI	MCMaster	10AUG05	tyco Electronics Tyco Electronics Corporation Harrisburg, Pa 17105-3608
CHK	W	MILLHIMES	10AUG05	
APPD	M	WALLMSLEY	10AUG05	NAME
PRODUCT SPEC				PLUG ASSEMBLY, 50 POSITION, RIGHT ANGLE, SELF TAPPING, CHAMP®
APPLICATION SPEC				SIZE CAGE CODE DRAWING NO
WEIGHT				A1 00779 5552726
CUSTOMER DRAWING				RESTRICTED TO

SCALE 4:1 SHEET 1 OF 1 REV 0