

Distributed by:

JAMECO[®]
ELECTRONICS

www.Jameco.com ♦ 1-800-831-4242

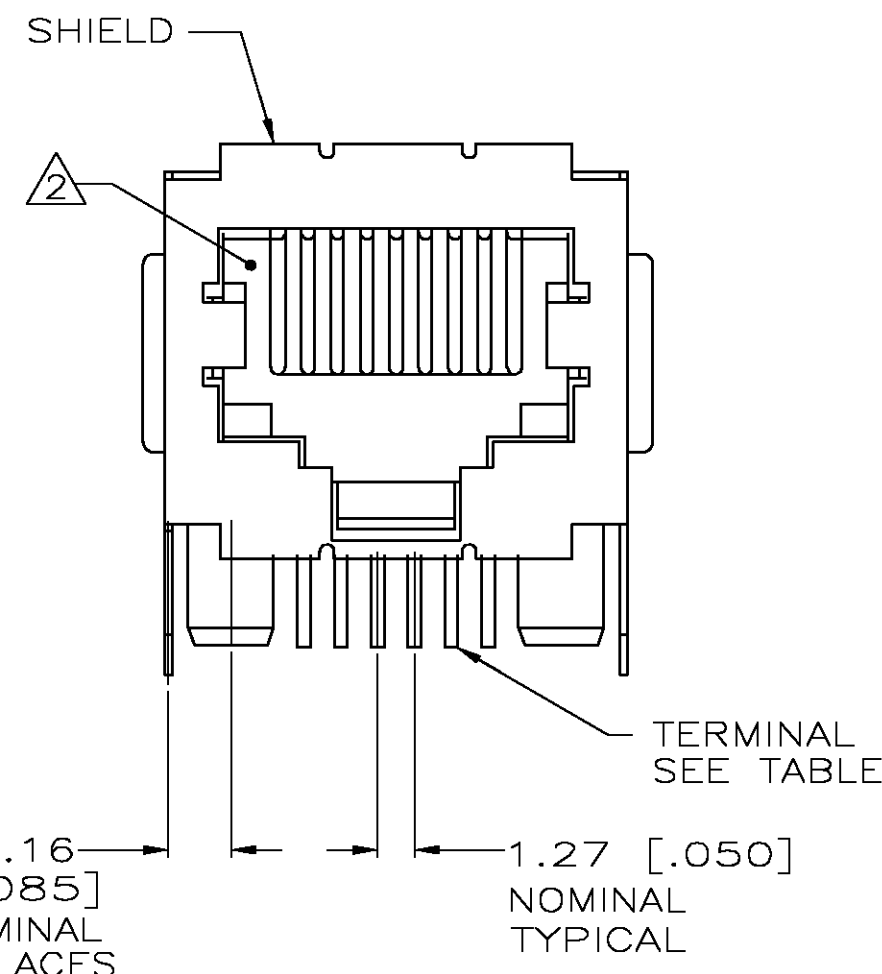
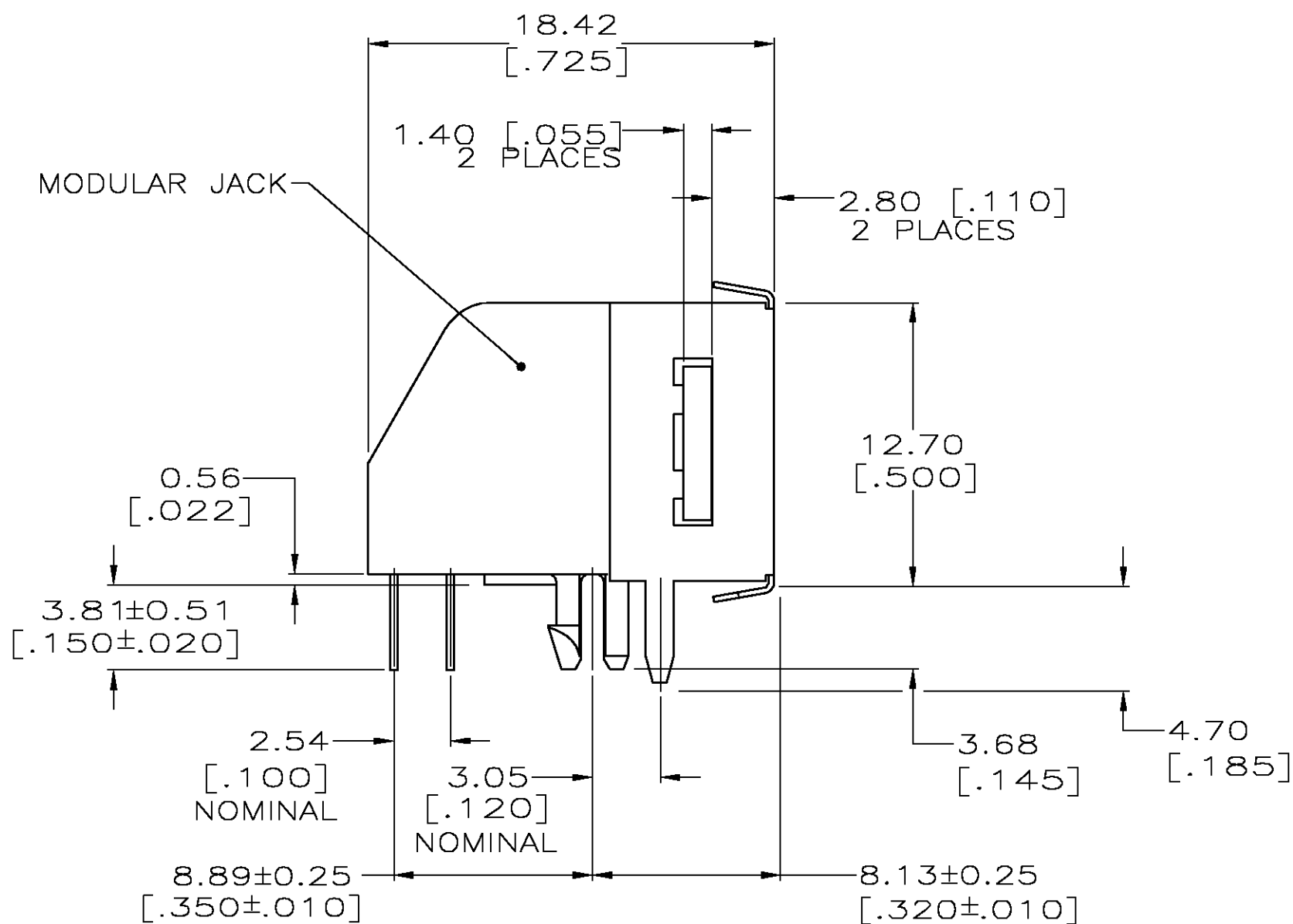
The content and copyrights of the attached
material are the property of its owner.

Jameco Part Number 754873

THIS DRAWING IS UNPUBLISHED. RELEASED FOR PUBLICATION
 © COPYRIGHT BY TYCO ELECTRONICS CORPORATION. ALL RIGHTS RESERVED.

LOC	DIST	REVISIONS			
P	LTR	DESCRIPTION	DATE	DWN	APVD
AA	22	A	ECOS11-0201-04	04APR2005	LAM JW

D



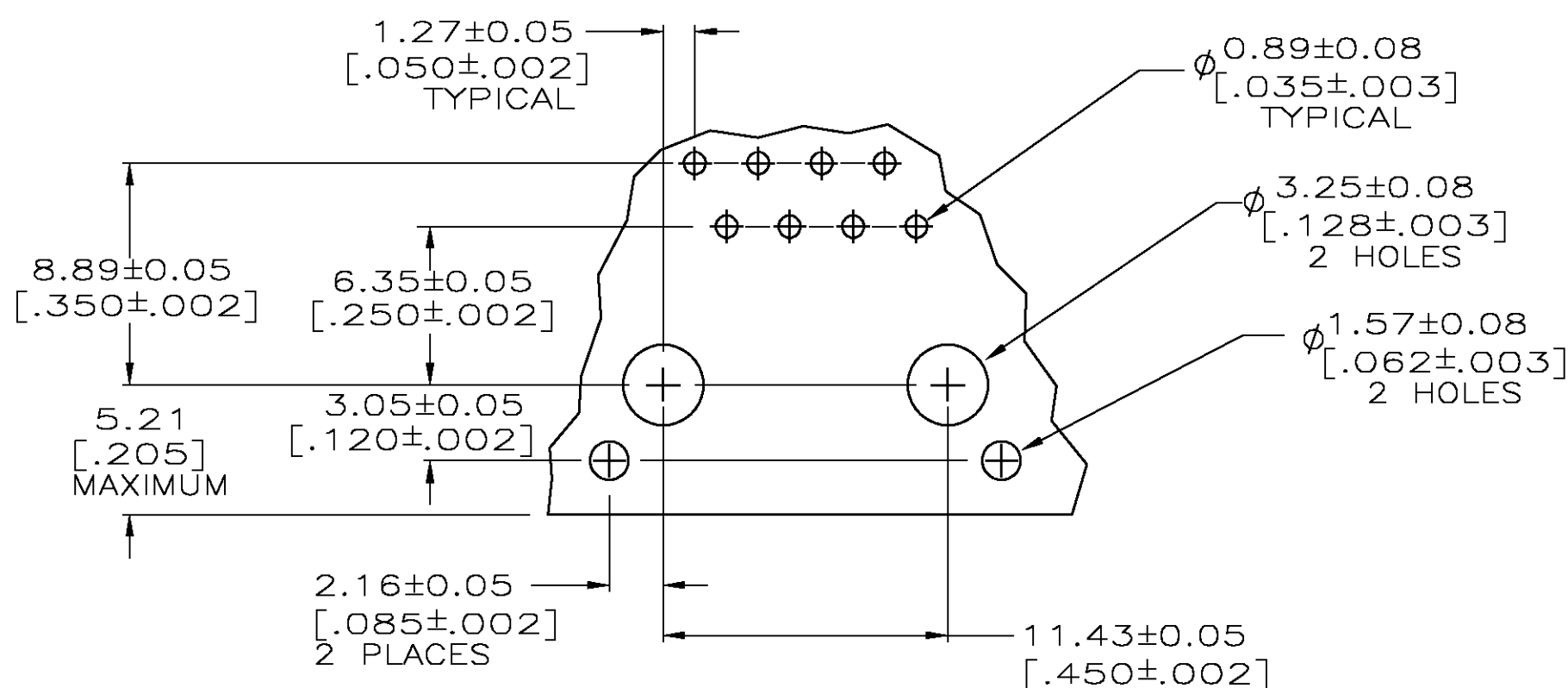
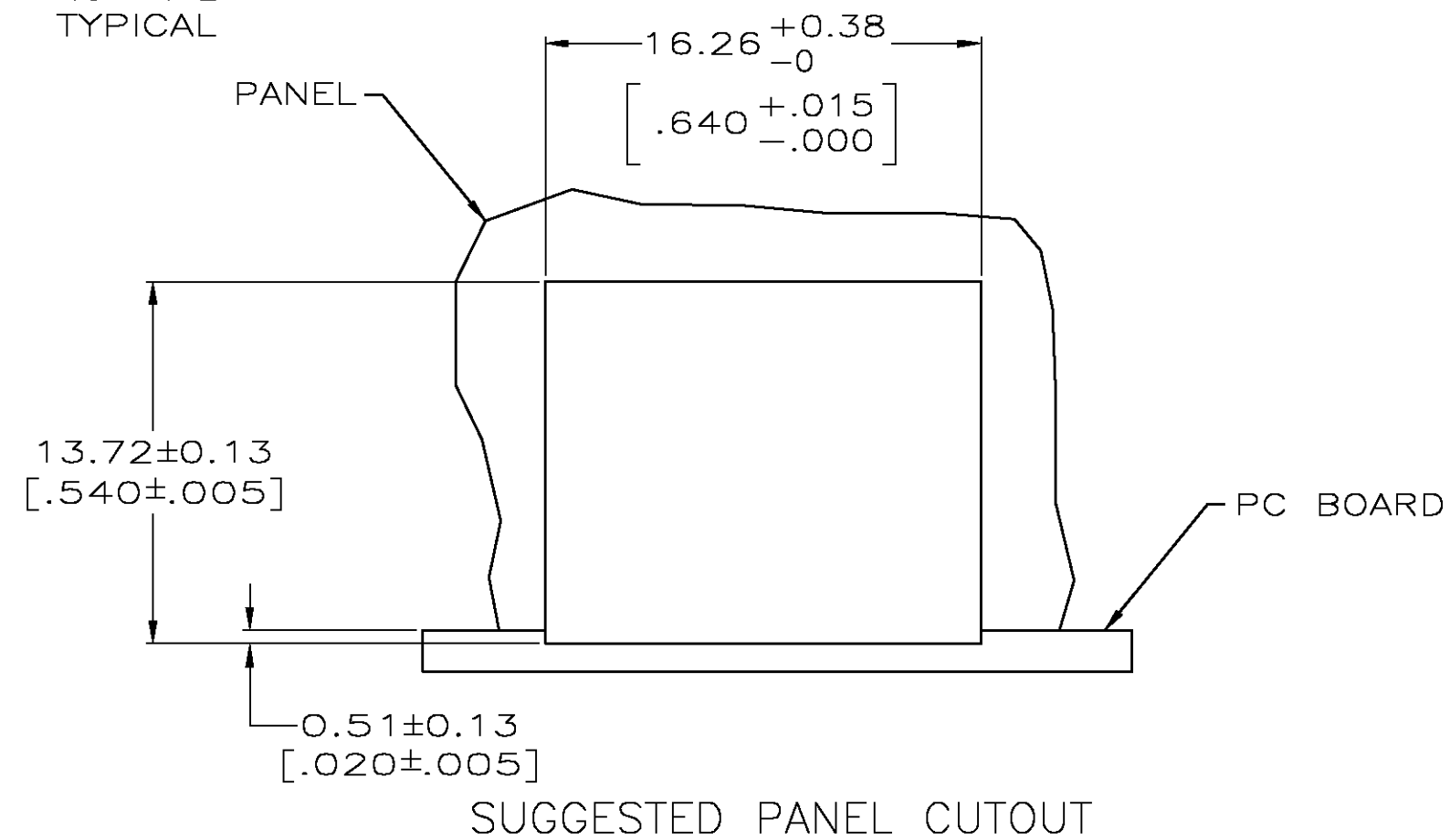
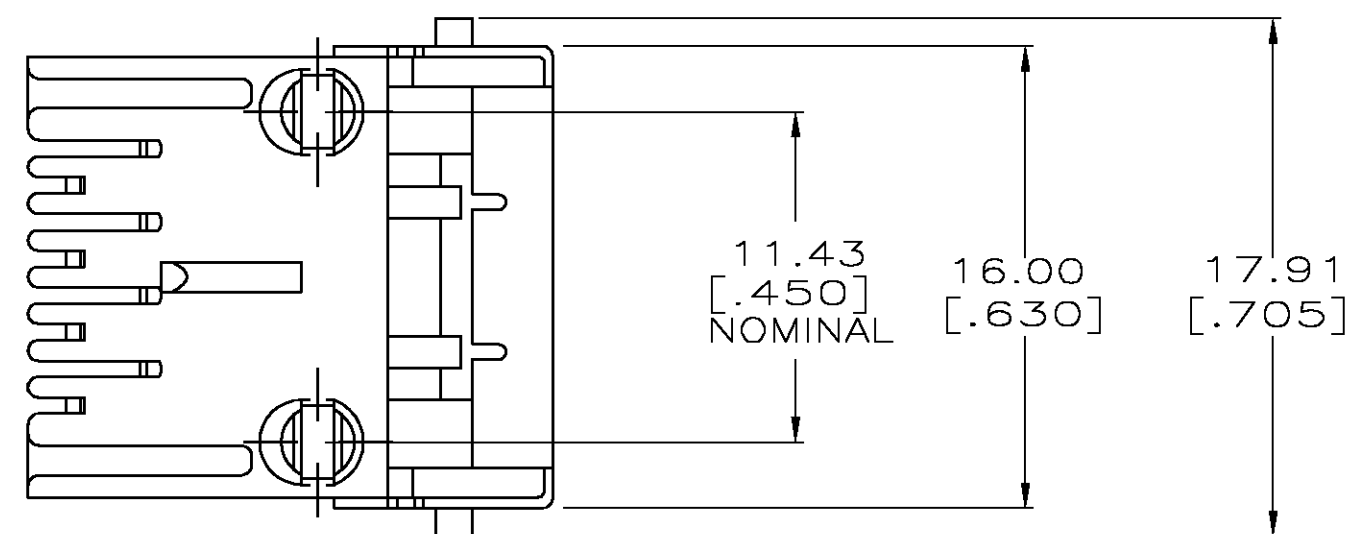
△ MATERIAL: HOUSING - PER TABLE, BLACK.
 TERMINAL - 0.36 [.014] THICK PHOS-BRONZE PLATED WITH 1.27um [.000050] THICK HARD GOLD IN LOCALIZED GOLD PLATE AREA AND 3.81um [.000150] THICK MATTE TIN IN SOLDER AREA OVER 1.27um [.000050] THICK NICKEL UNDERPLATE
 SHIELD - 0.25 [.010] THICK COPPER ALLOY, MATTE TIN PLATED.

△ CAVITY CONFORMS TO FCC RULES AND REGULATIONS PART 68, SUBPART F.

3. ALL DIMENSIONS SHOWN ARE MAXIMUM UNLESS OTHERWISE SPECIFIED.

C

B



YES	HIGH TEMP NYLON	5555141-3
NO	PBT POLYESTER	5555141-1
IR PROCESS COMPATIBLE	HOUSING MATERIAL	PART NUMBER

THIS DRAWING IS A CONTROLLED DOCUMENT.		DWN G. GARRETT/L.A.MAYER	04APR2005	tyco Electronics	Tyco Electronics Corporation Harrisburg, Pa 17105-3608	
DIMENSIONS: mm [INCHES]		CHK J.WESTMAN	04APR2005		NAME S.FLICKINGER	
TOLERANCES UNLESS OTHERWISE SPECIFIED:		APVD S.FLICKINGER		PRODUCT SPEC 108-1163		
0 PLC ± -		APPLICATION SPEC 114-2048		SIZE A2		
1 PLC ± -		WEIGHT		CAGE CODE 00779		
2 PLC ± -		CUSTOMER DRAWING		DRAWING NO C=5555141		
3 PLC ± -		SCALE 4:1		SHEET 1 OF 1		
4 PLC ± -		REV A		RESTRICTED TO		
ANGLES ± -						
FINISH						

5555141

A