

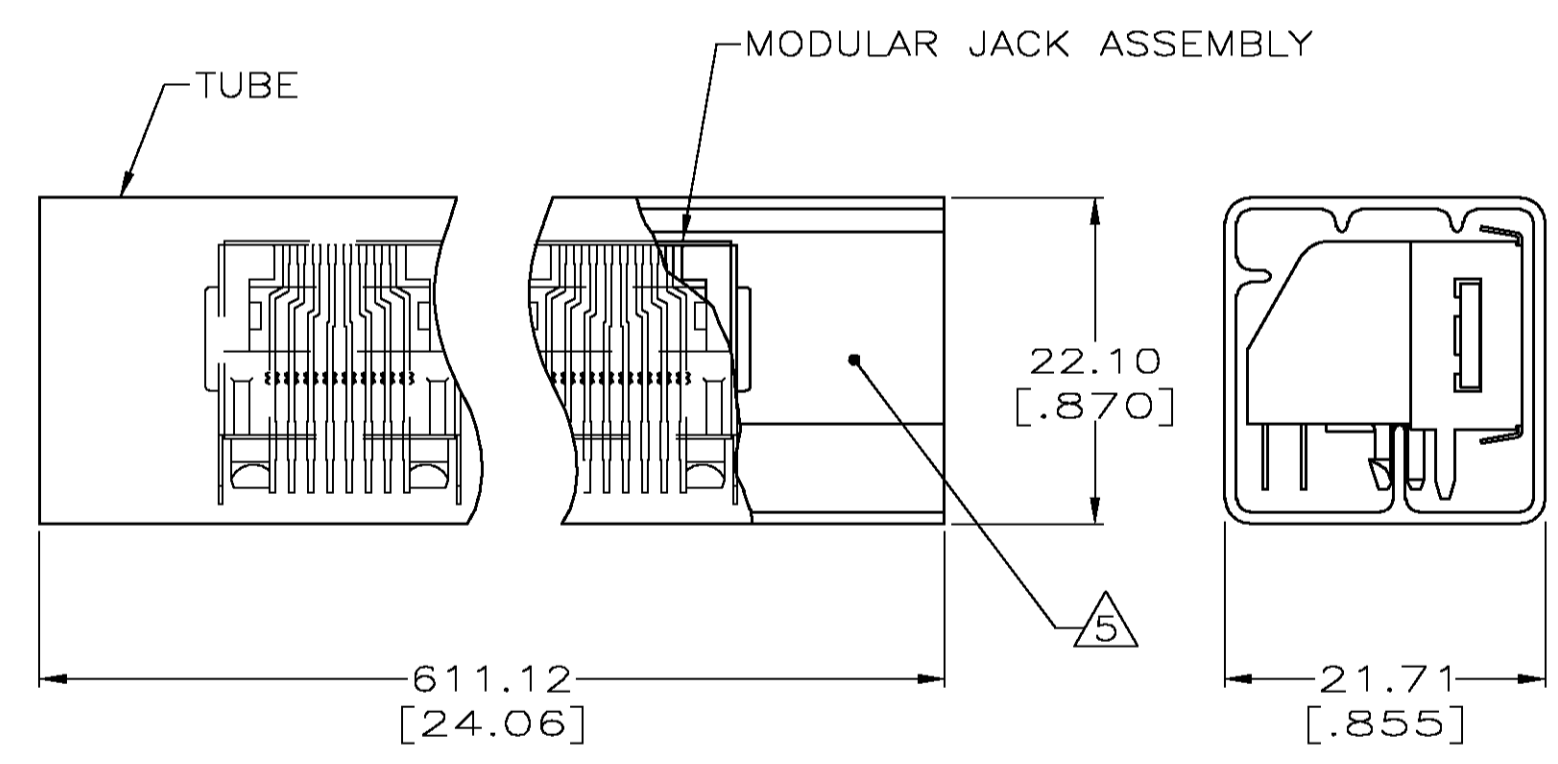
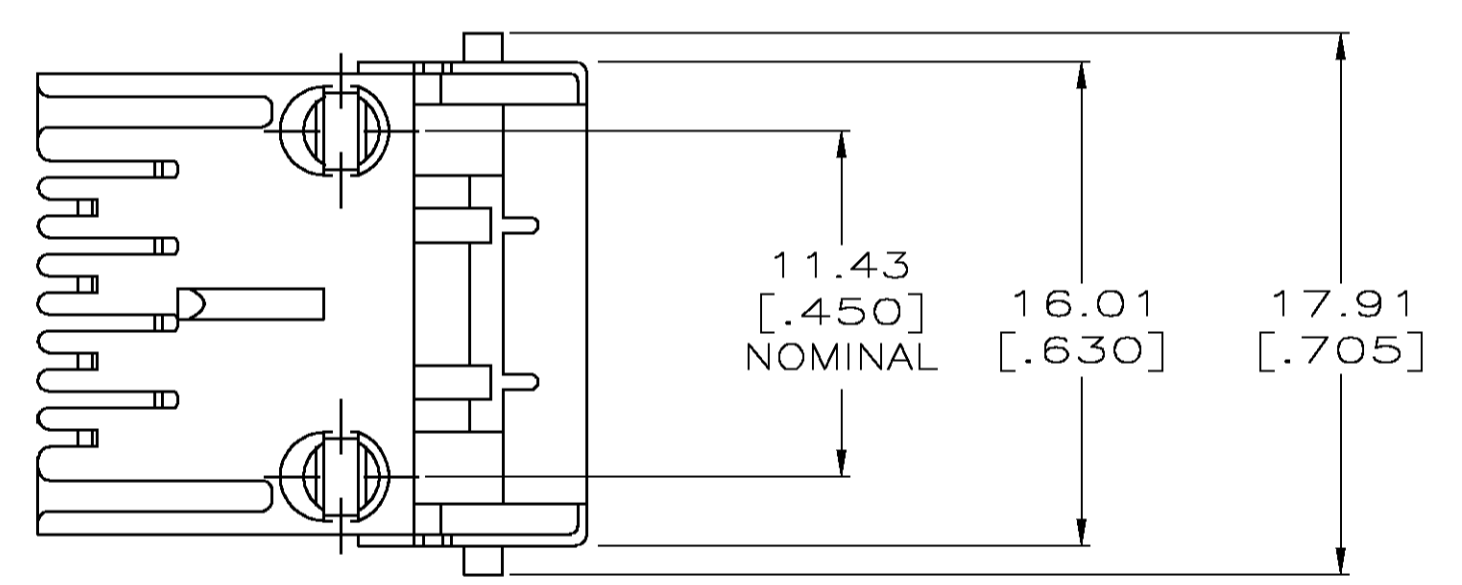
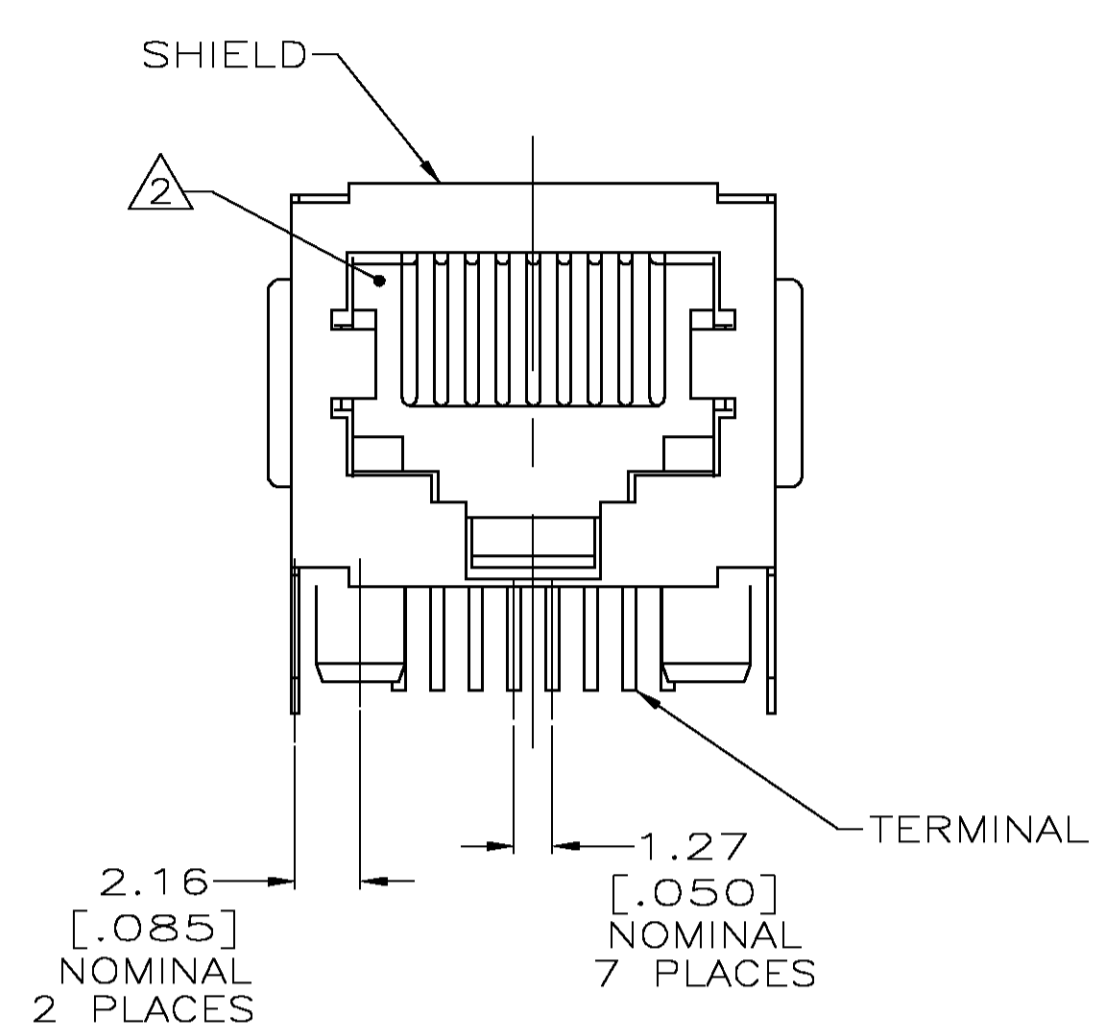
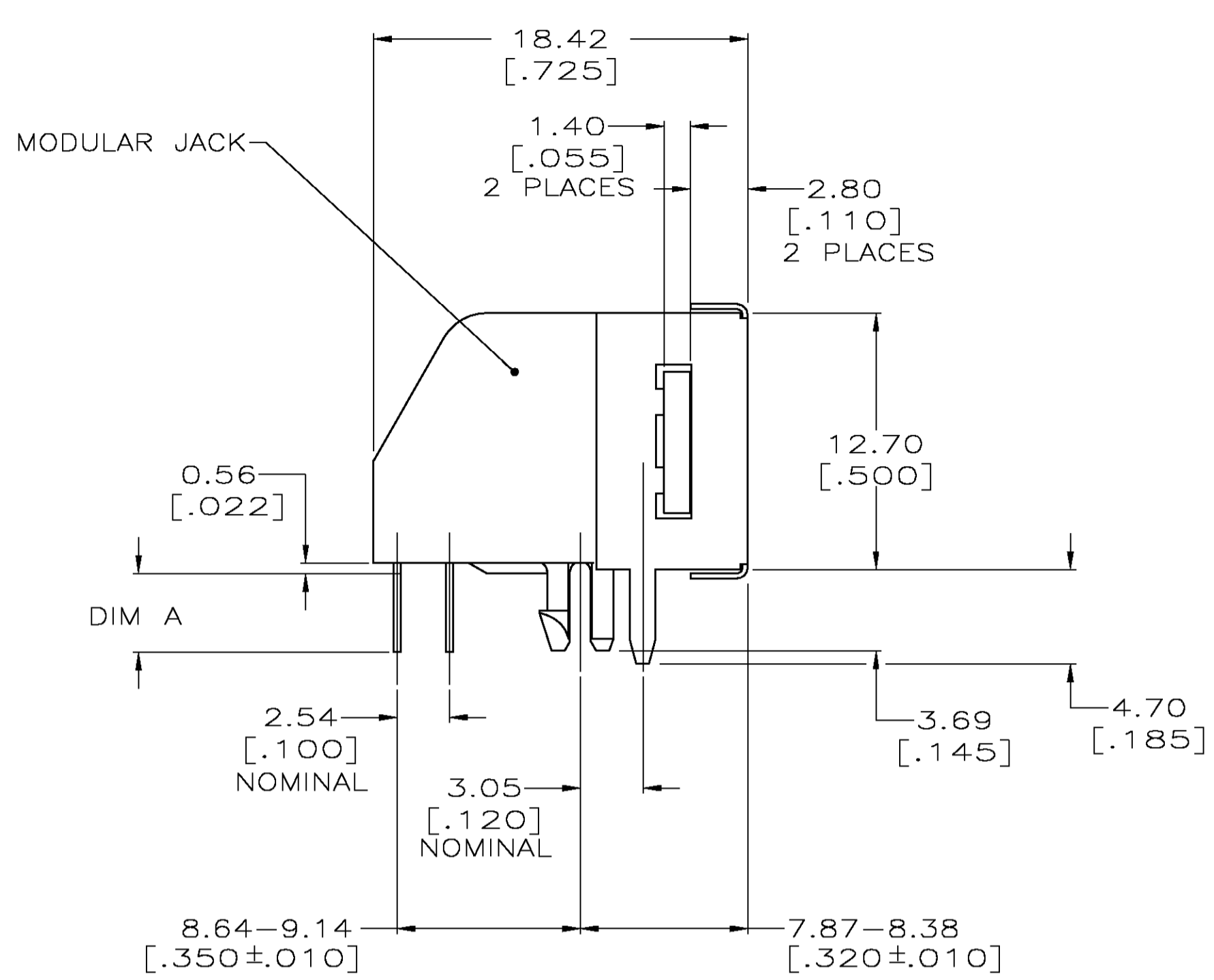
Distributed by:

**JAMECO**<sup>®</sup>  
ELECTRONICS

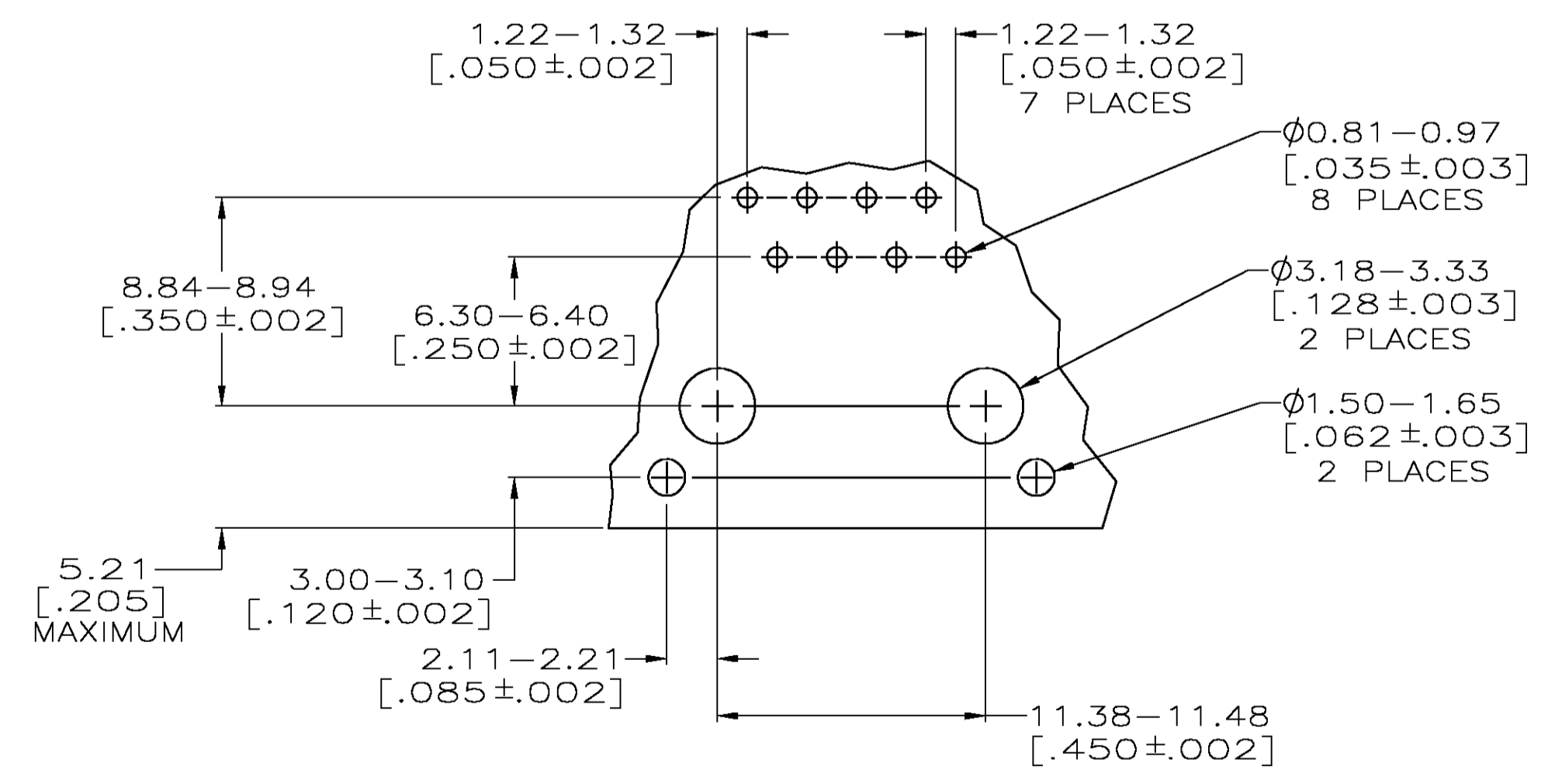
**www.Jameco.com ♦ 1-800-831-4242**

The content and copyrights of the attached  
material are the property of its owner.

Jameco Part Number 852713



DETAIL B  
SCALE 2:1



SUGGESTED PRINTED CIRCUIT BOARD  
MOUNTING HOLE LAYOUT  
(VIEW SHOWN IS CIRCUIT SIDE OF BOARD)

- 1 MATERIAL:  
HOUSING - PBT POLYESTER BLACK.  
TERMINAL - 0.36[.014] THICK PHOS-BRONZE PLATED WITH 1.27μm[.000050] THICK HARD GOLD IN LOCALIZED GOLD PLATE AREA AND 2.03μm[.000080] THICK MATTE TIN IN SOLDER AREA OVER 1.27μm[.000050] THICK NICKEL UNDERPLATE.  
SHIELD - 0.25[.010] THICK COPPER ALLOY, MATTE TIN PLATED.
- 2 CAVITY CONFORMS TO FCC RULES AND REGULATIONS, PART 68, SUBPART F.
- 3 DIMENSIONS ARE MAXIMUM UNLESS OTHERWISE SPECIFIED.
- 4 BULK PACKAGED IN A TRAY.
- 5 32 ASSEMBLIES PACKAGED PER TUBE, SEE DETAIL B.

1.78-2.79 [.09±.02]	△	5555153-6
2.54-3.05 [.11±.01]	△	5555153-5
3.30-4.32 [.15±.02]	△	5555153-3
3.30-4.32 [.15±.02]	△	5555153-1
DIM A	PACKAGED	PART NUMBER

THIS DRAWING IS A CONTROLLED DOCUMENT.		DWN L.A.MAYER 16FEB2005	 Tyco Electronics Corporation Harrisburg, Pa 17105-3608
DIMENSIONS: mm		CHK J.WESTMAN 16FEB2005	
TOLERANCES UNLESS OTHERWISE SPECIFIED:		APVD S.FLICKINGER 16FEB2005	NAME MODULAR JACK ASSEMBLY, 8 POSITION, SHIELDED, LOW PROFILE, RIGHT ANGLE WITH PRINTED CIRCUIT BOARD GROUND AND PANEL STOPS
0 PLC ± -		PRODUCT SPEC	APPLICATION SPEC
1 PLC ± -		SIZE	CAGE CODE
2 PLC ± - SEE NOTE 3		WEIGHT	DRAWING NO
3 PLC ± -		A1 00779 C=5555153	
4 PLC ± -		CUSTOMER DRAWING	
ANGLES ± -		SCALE	4:1
FINISH SEE NOTE 1		SHEET	1 OF 1
		REV	A