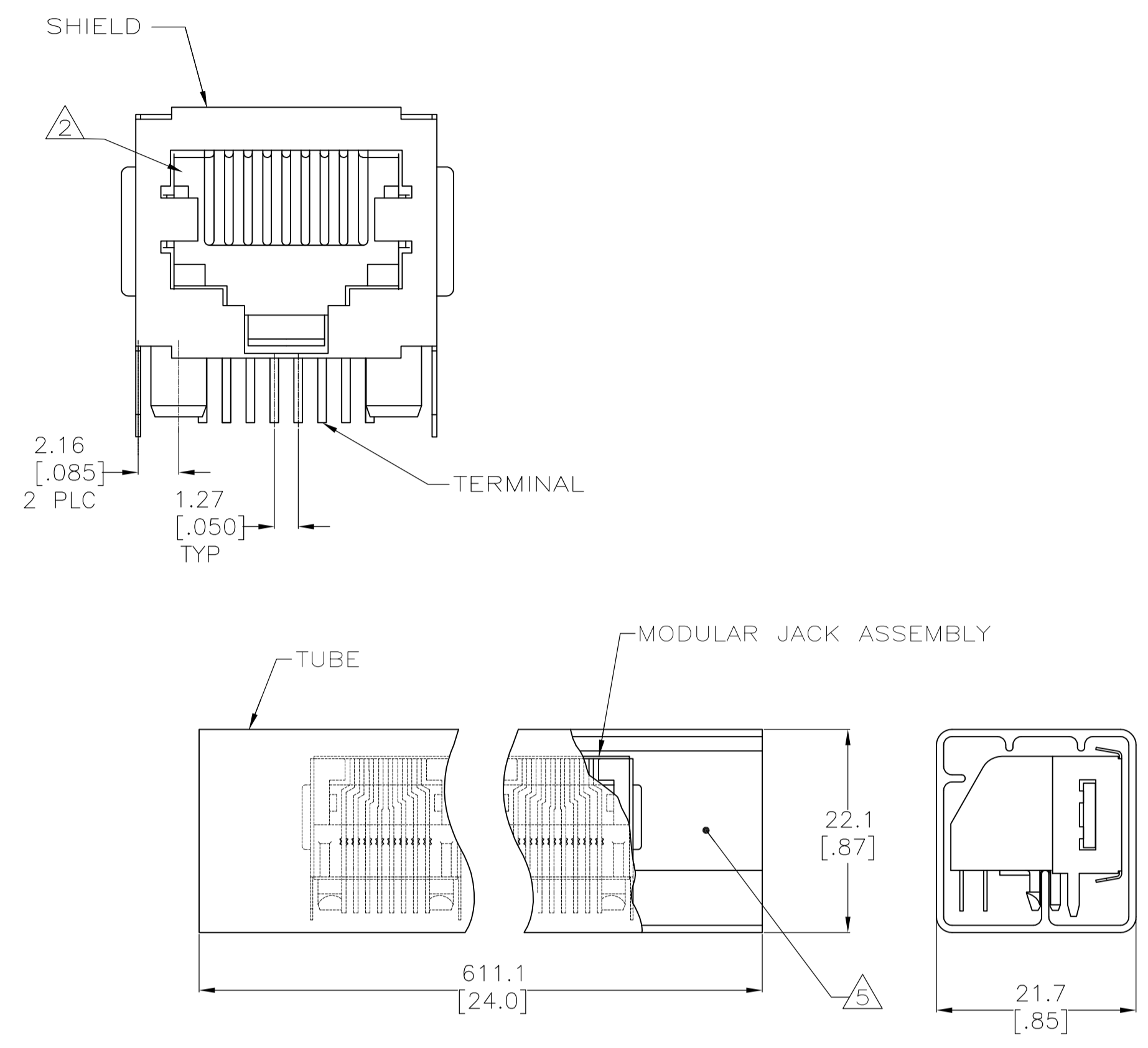
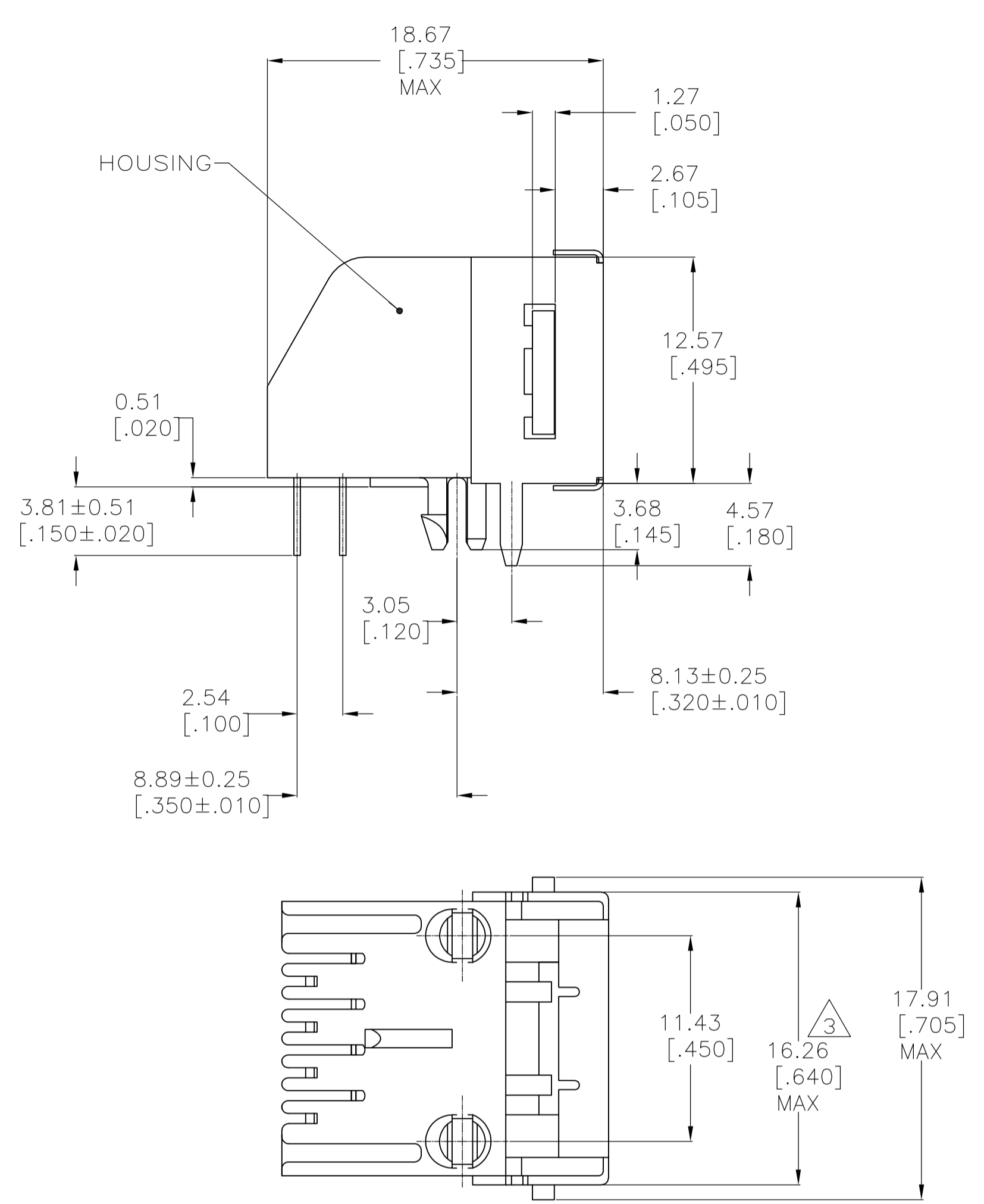
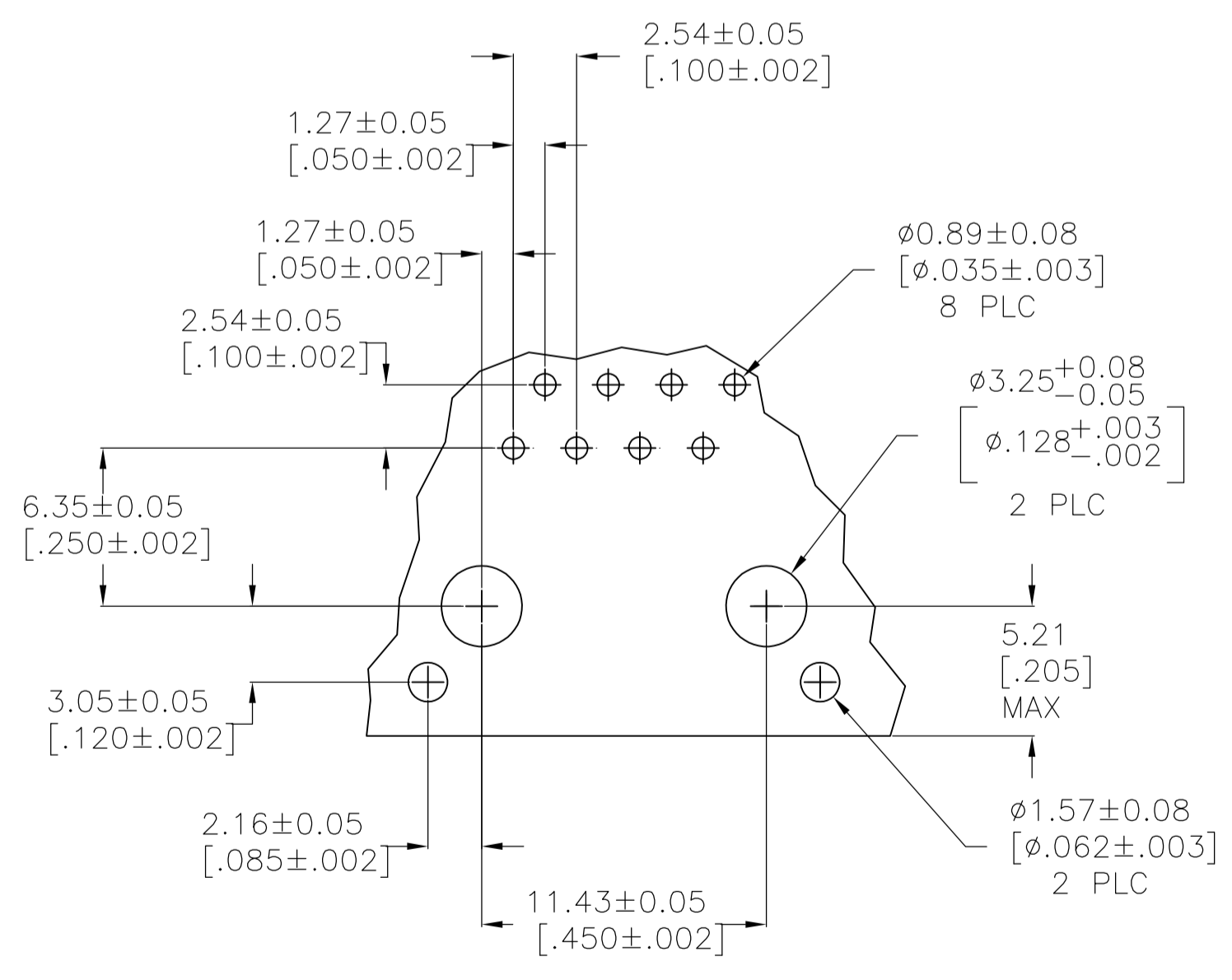


LOC		DIST		REVISIONS			
AA	00	P	LTR	DESCRIPTION	DATE	DWN	APVD
B	ECO-07-026026				05NOV07	LAM	PR

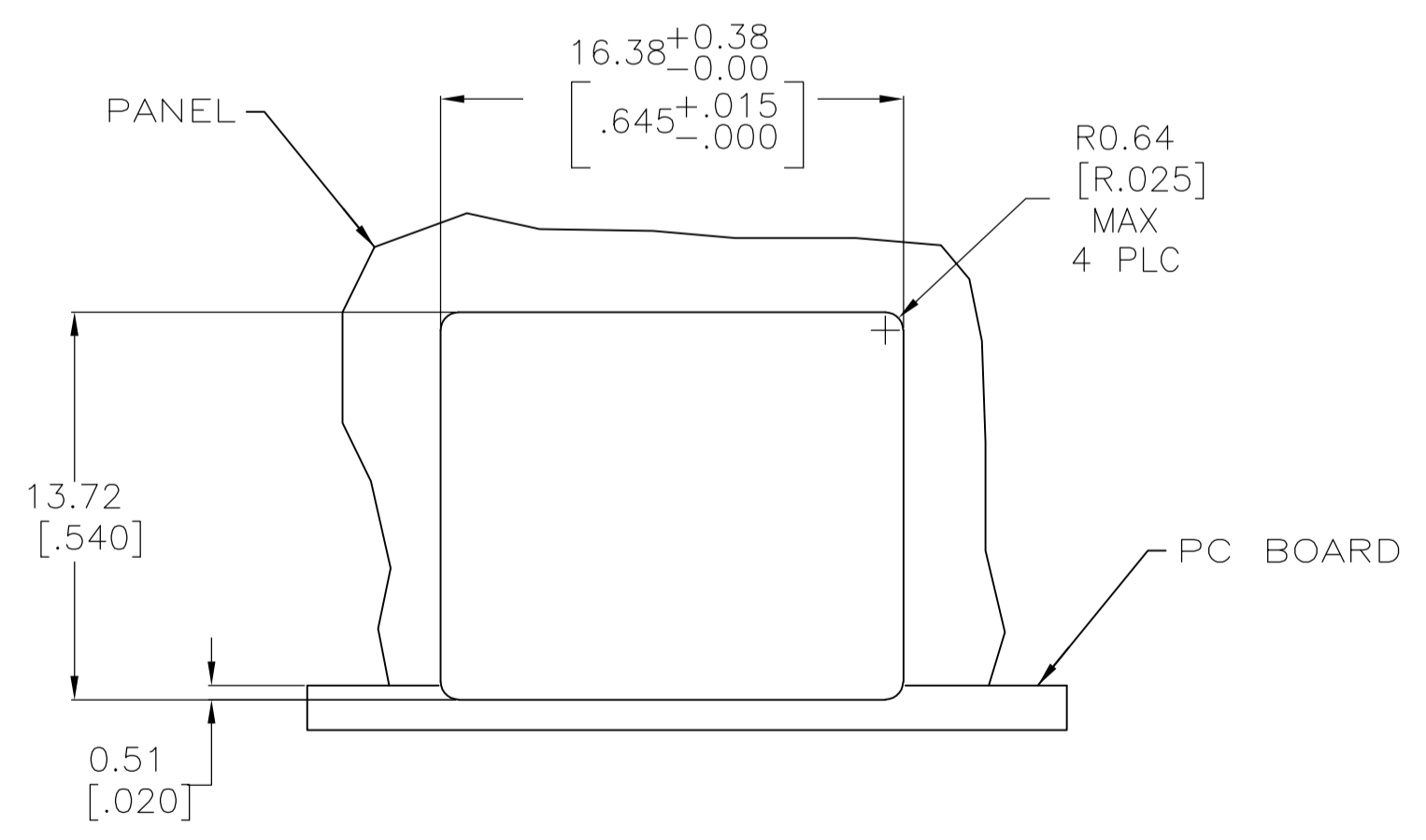


DETAIL B
SCALE 2:1

1. MATERIAL:
 HOUSING - PBT POLYESTER, COLOR: BLACK
 TERMINAL - 0.36[.014] THICK PHOS BRONZE PLATED WITH 1.27 μ m [.000050] THICK HARD GOLD IN LOCALIZED GOLD PLATE AREA AND 2.03 μ m [.000080] THICK MATTE TIN IN SOLDER AREA OVER 1.27 μ m [.000050] THICK NICKEL UNDERPLATE
 SHIELD - 0.25 [.010] THICK COPPER ALLOY PLATED WITH 3.0 μ m [.000120] MINIMUM THICK REFLOWED TIN
- ② CAVITY CONFORMS TO FCC RULES AND REGULATIONS PART 68, SUBPART F.
 - ③ DIMENSIONS MEASURED ALONG FRONT EDGES OF MATING FACE
 - ④ BULK PACKAGED IN A TRAY
 - ⑤ 32 ASSEMBLIES PACKAGED PER TUBE. SEE DETAIL B



RECOMMENDED PRINTED CIRCUIT BOARD LAYOUT
(COMPONENT SIDE)



RECOMMENDED PANEL CUTOUT

1.78-2.79 [.09±.02]	④	5555153-6
2.54-3.05 [.11±.01]	④	5555153-5
3.30-4.32 [.15±.02]	⑤	5555153-3
3.30-4.32 [.15±.02]	④	5555153-1
DIM A	PACKAGED	PART NUMBER

THIS DRAWING IS A CONTROLLED DOCUMENT.		DIN G. GARRETT/L.A. MAYER C/K P. RECCE S. FLICKINGER		Tyco Electronics Corporation Harrisburg, PA 17105-3608	
DIMENSIONS: mm [INCHES]	TOLERANCES UNLESS OTHERWISE SPECIFIED:	APVD	NAME	PRODUCT SPEC	APPLICATION SPEC
	0 PLC ± -	S. FLICKINGER	MODULAR JACK ASSEMBLY, SHIELDED, 8 POSITION, LOW PROFILE, RIGHT ANGLE, PANEL GROUND WITH PANEL STOPS	108-1163	114-2048
	1 PLC ± -				
	2 PLC ± 0.13[.005]				
	3 PLC ± -				
	4 PLC ± -				
	ANGLES ± -				
MATERIAL SEE NOTE 1	FINISH SEE NOTE 1	WEIGHT	SIZE	CAGE CODE	DRAWING NO
			A1	00779	5555153
			CUSTOMER DRAWING	SCALE 4:1	SHEET 1 OF 1 REV B