

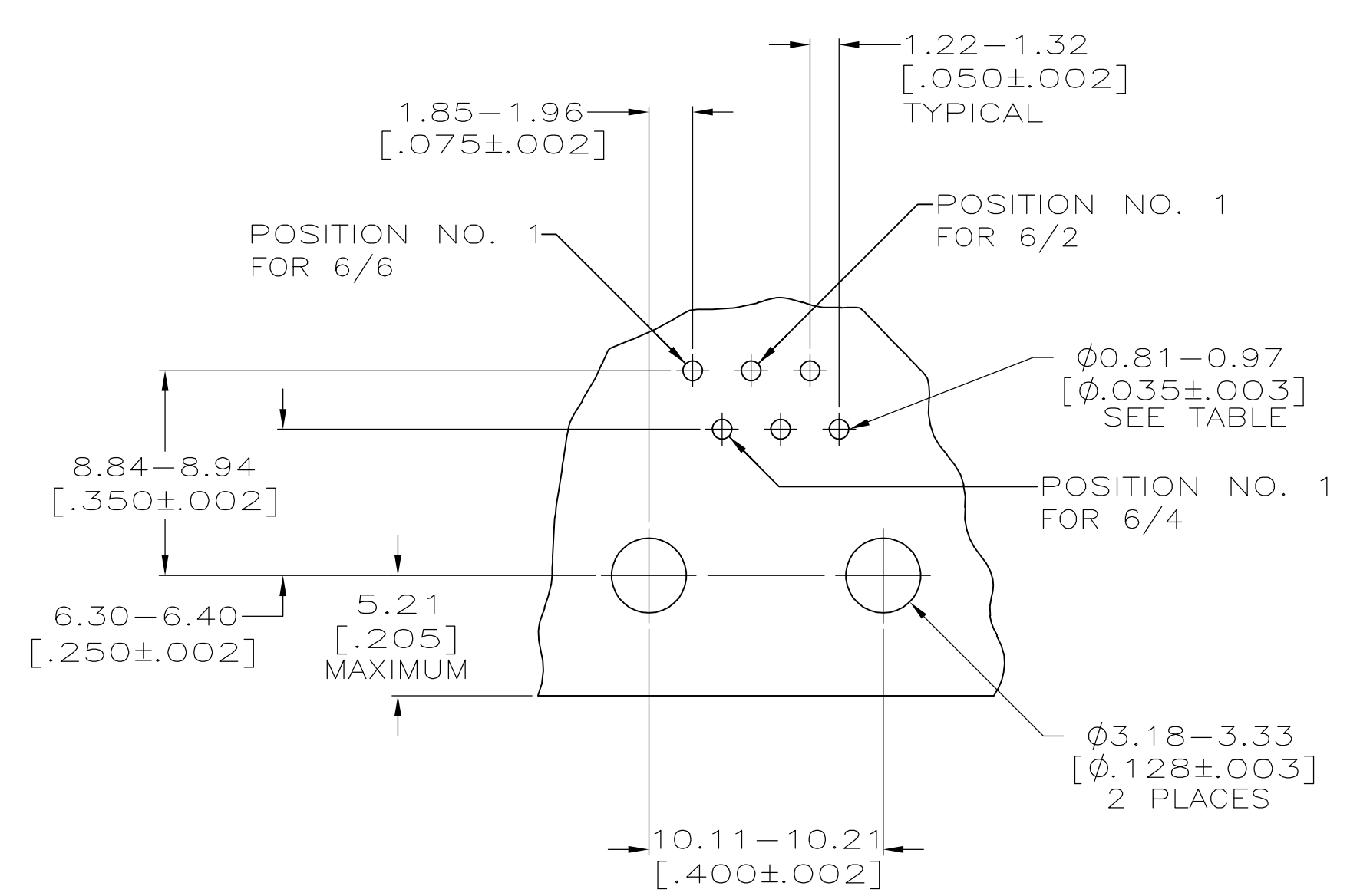
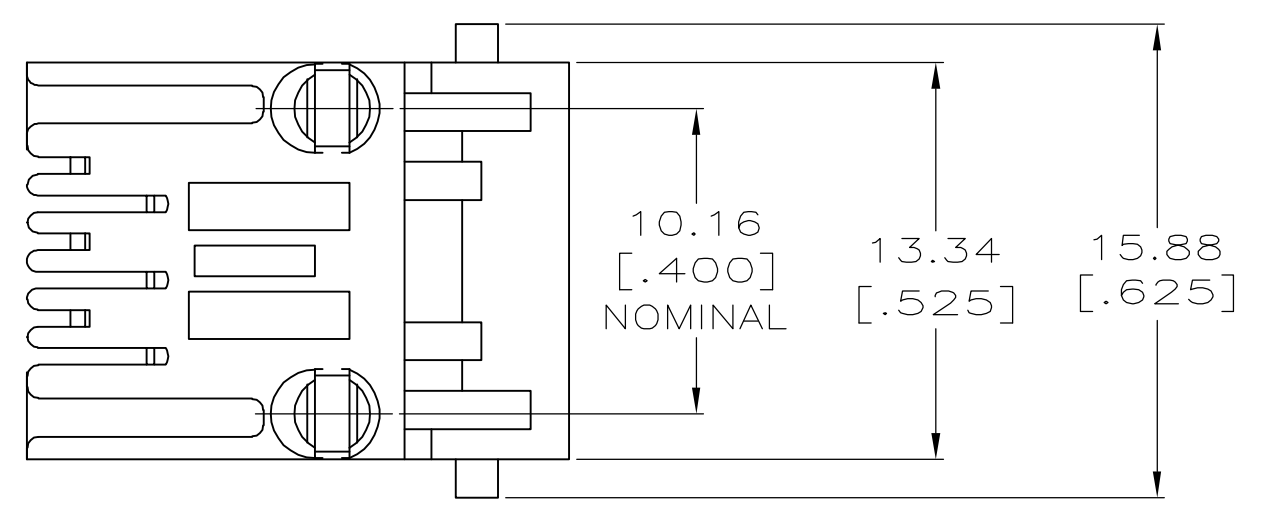
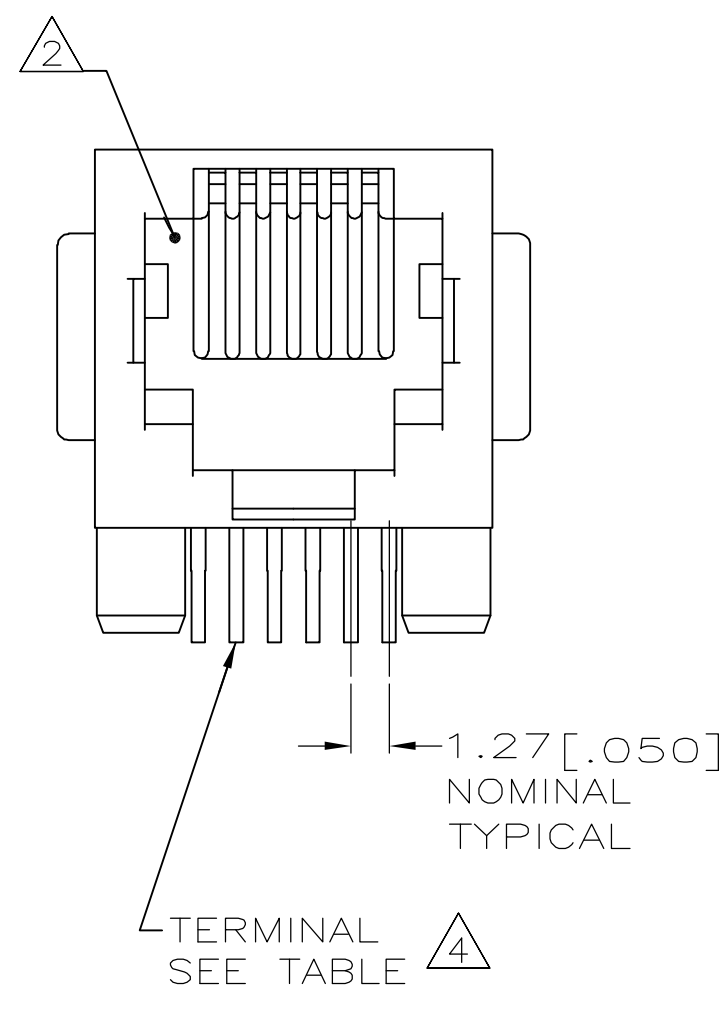
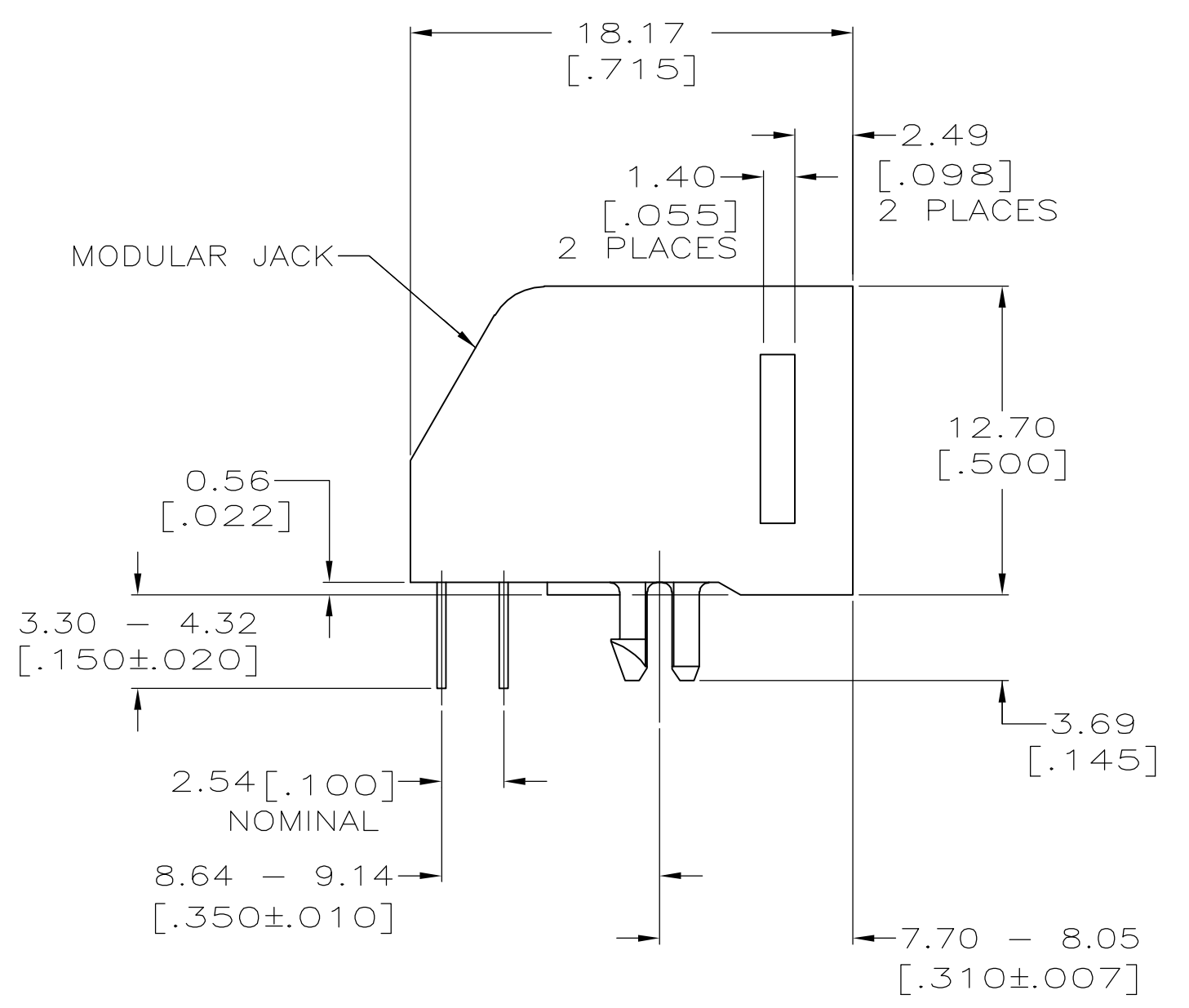
Distributed by:

**JAMECO**<sup>®</sup>  
ELECTRONICS

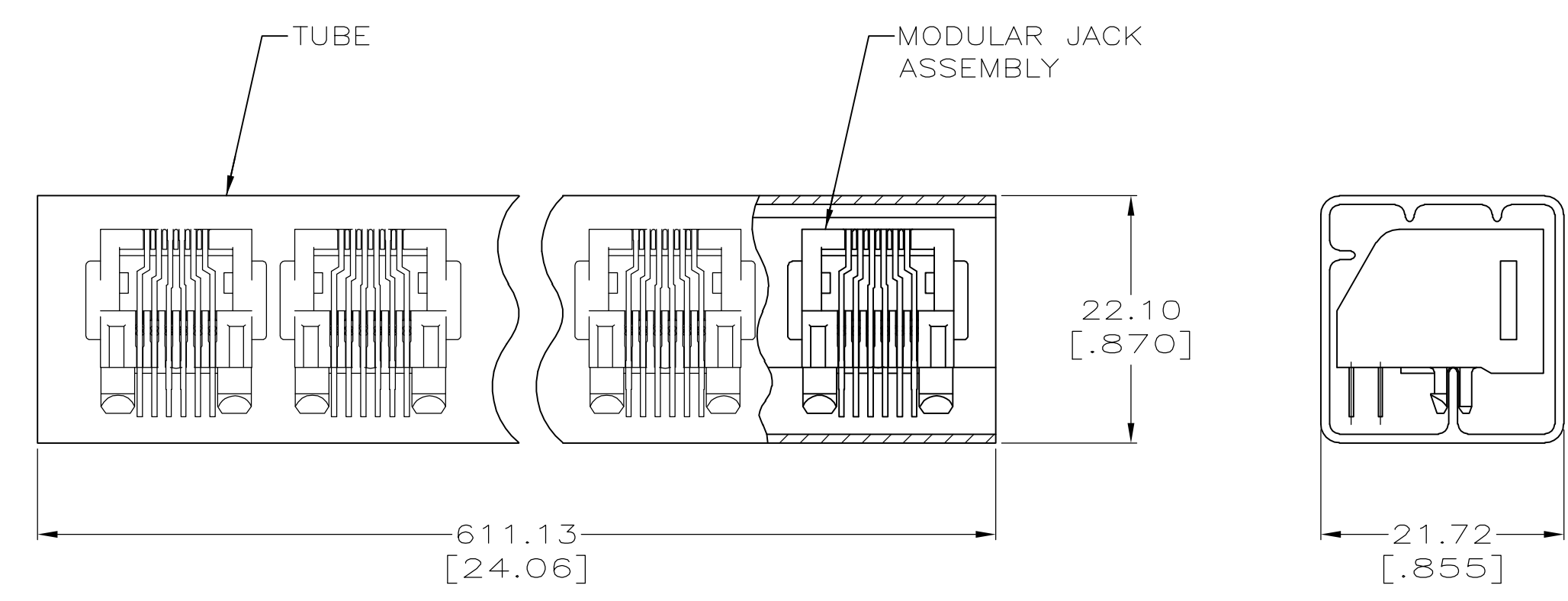
**www.Jameco.com ♦ 1-800-831-4242**

The content and copyrights of the attached  
material are the property of its owner.

Jameco Part Number 754890



SUGGESTED PRINTED CIRCUIT BOARD MOUNTING HOLE LAYOUT  
 VIEW SHOWN AS COMPONENT SIDE OF BOARD



DETAIL A  
 SCALE 2:1

- 1 MATERIAL: HOUSING - PBT POLYESTER, BLACK.  
 TERMINAL - 0.35 [.0138] THICK PHOSPHOROUS-BRONZE PLATED WITH 1.27µm [.000050] THICK HARD GOLD IN LOCALIZED GOLD PLATE AREA AND 2.03µm [.000080] THICK MATTE TIN IN SOLDER AREA OVER 1.27µm [.000050] THICK NICKEL UNDERPLATE.
- 2 CAVITY CONFORMS TO FCC RULES AND REGULATIONS PART 68, SUBPART F.
- 3 DIMENSIONS ARE MAXIMUM UNLESS OTHERWISE SPECIFIED.
- 4 TERMINALS FOR 5555163-2 AND -5 LOCATED IN CENTER POSITIONS.
- 5 BULK PACKAGED IN A TRAY.

2	5555163-5
4	5555163-2
6	5555163-1
PACKAGED	TERMINALS REQUIRED
	PART NUMBER

THIS DRAWING IS A CONTROLLED DOCUMENT. DWN: G. ATTADIA - DOCK5, 08JUN2005. DRK: J. WESTMAN, 08JUN2005. APVO: S. FLICKINGER, 08JUN2005.

Tyco Electronics Corporation, Harrisburg, Pa 17105-3608

PRODUCT SPEC: 108-1163  
 APPLICATION SPEC: 114-2048

SIZE: A1, CAGE CODE: 00779, DRAWING NO: 5555163

RESTRICTED TO: CUSTOMER DRAWING, SCALE: 4:1, SHEET: 1 OF 1, REV: A