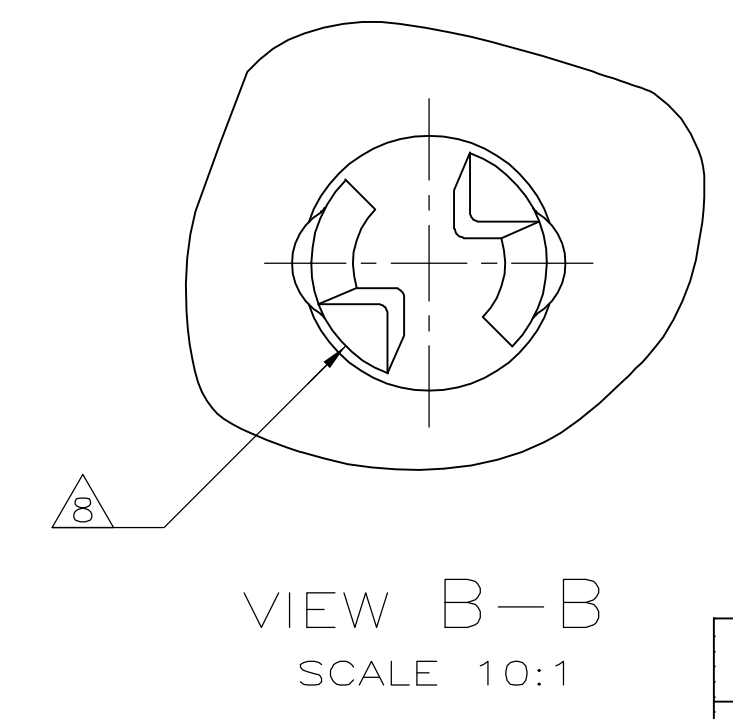
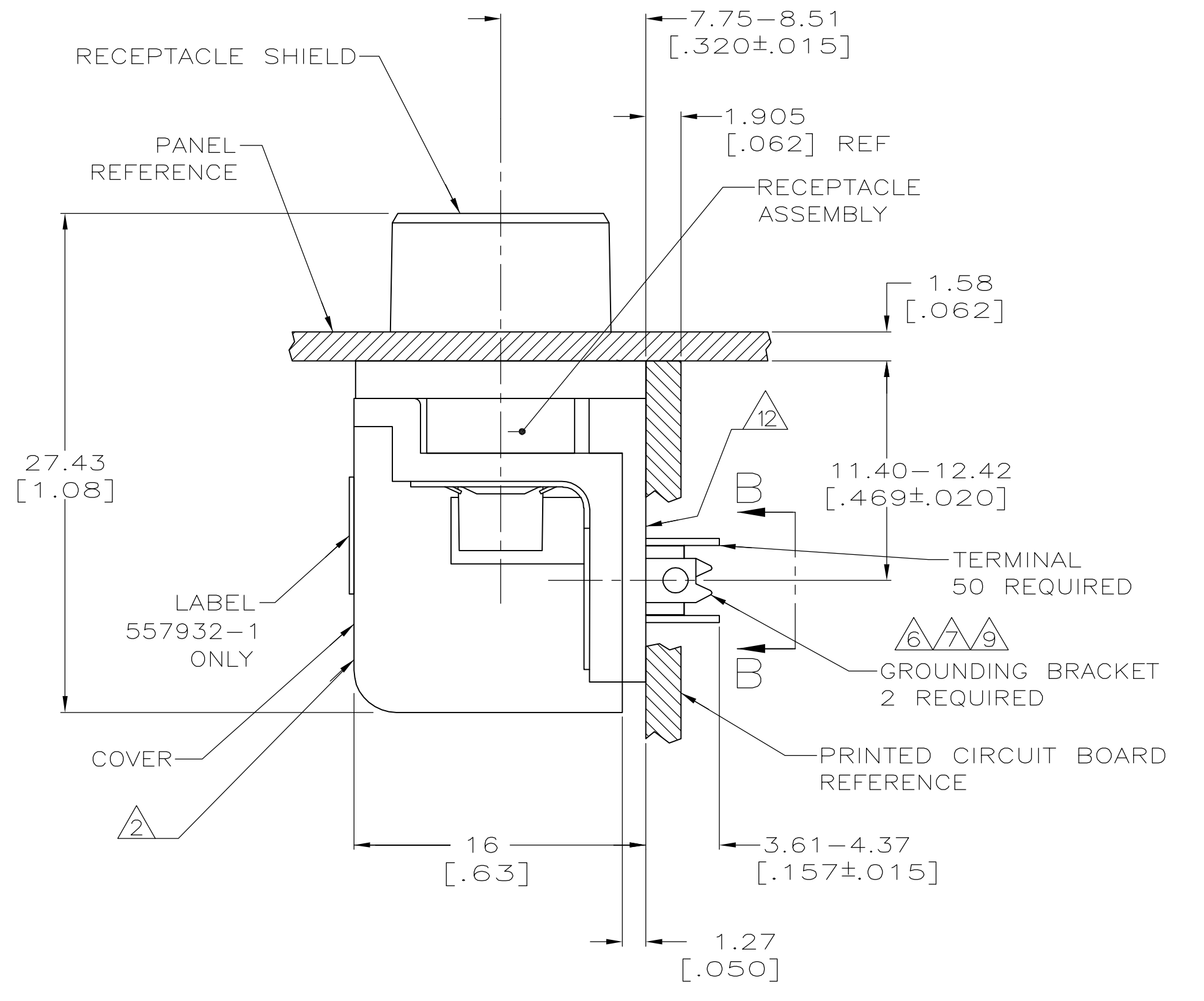
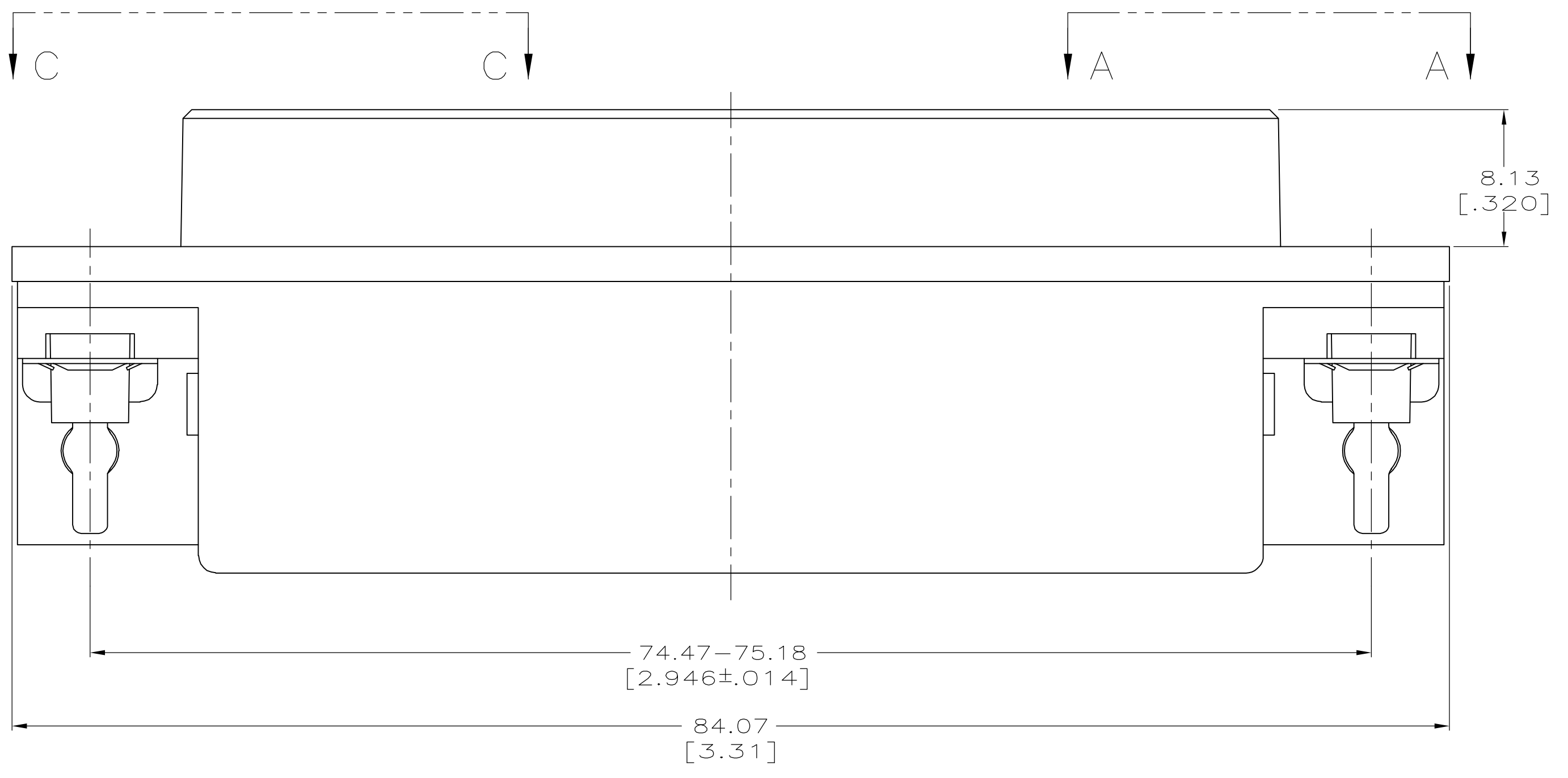
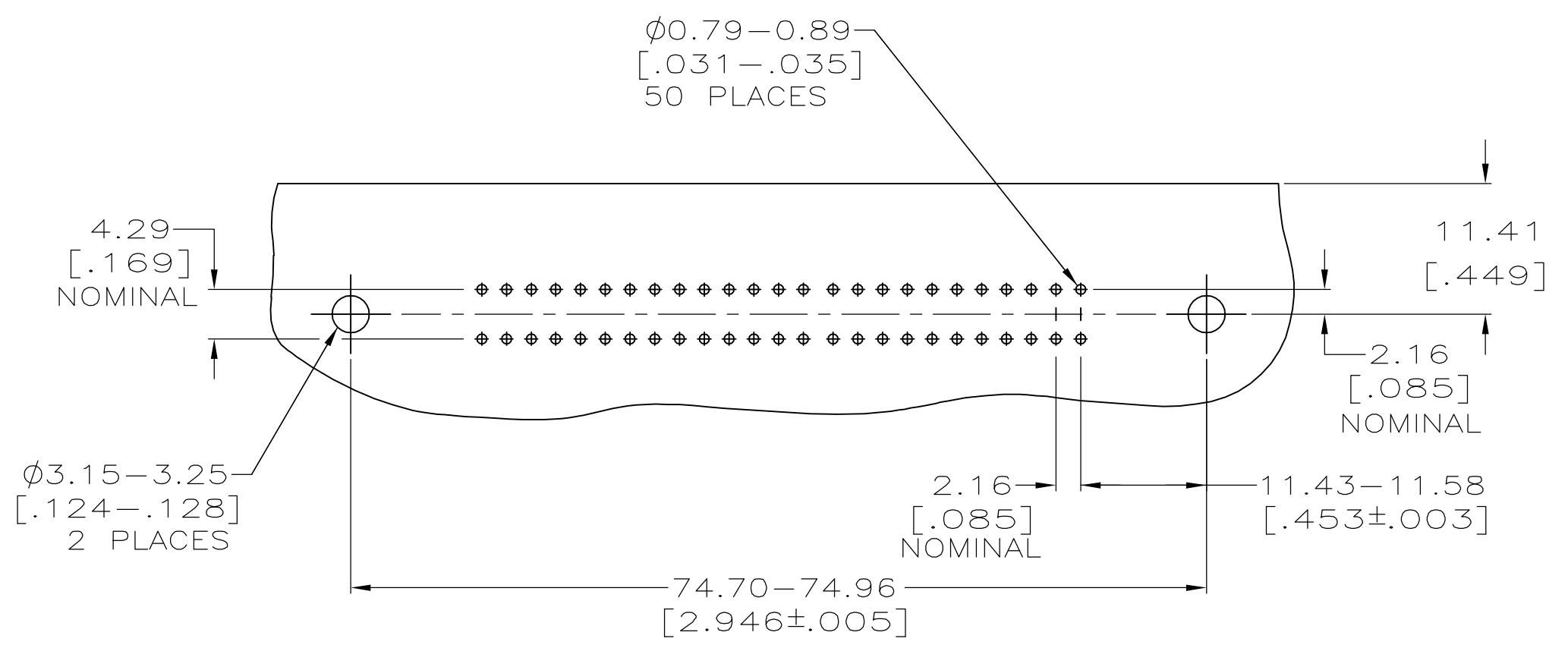
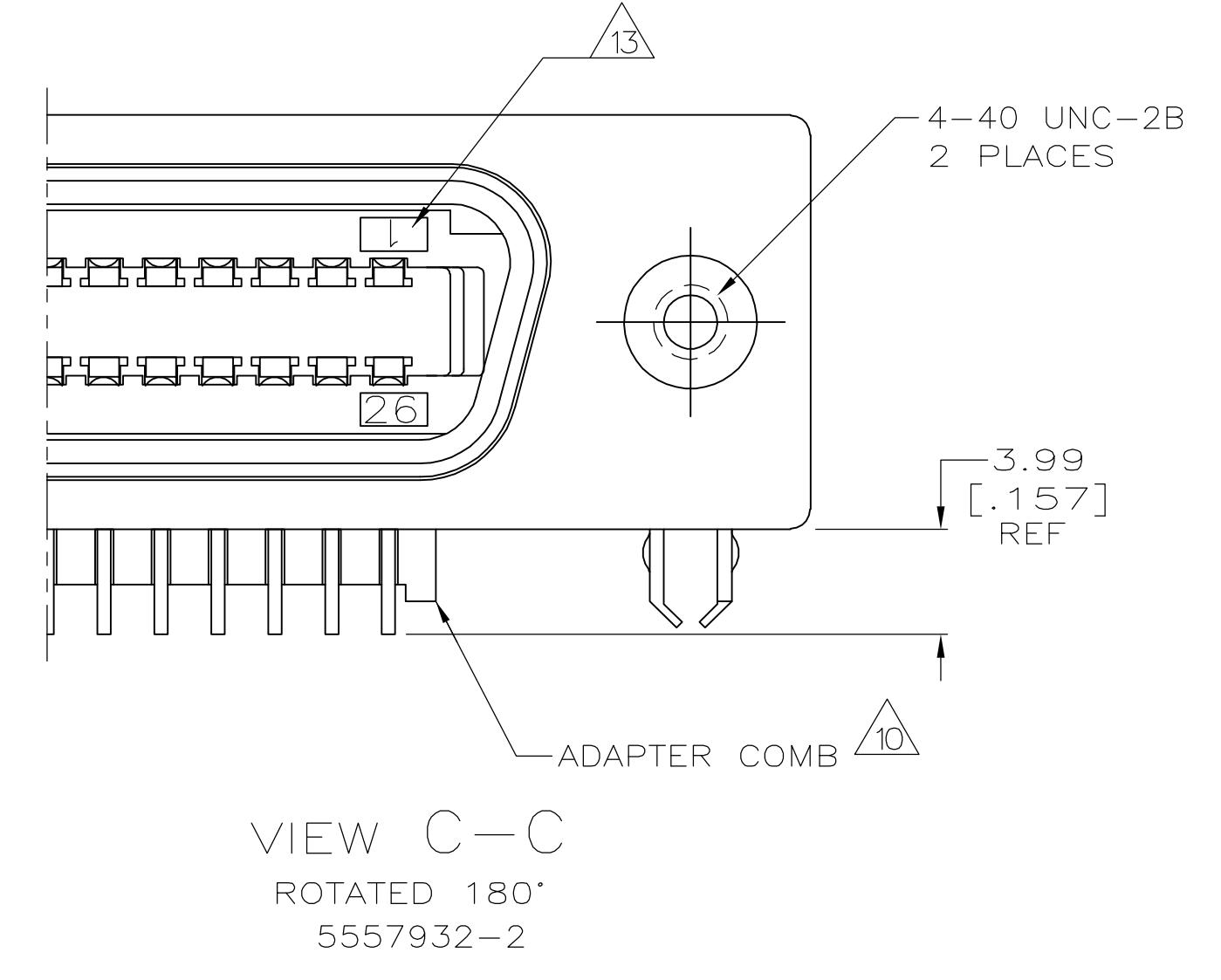
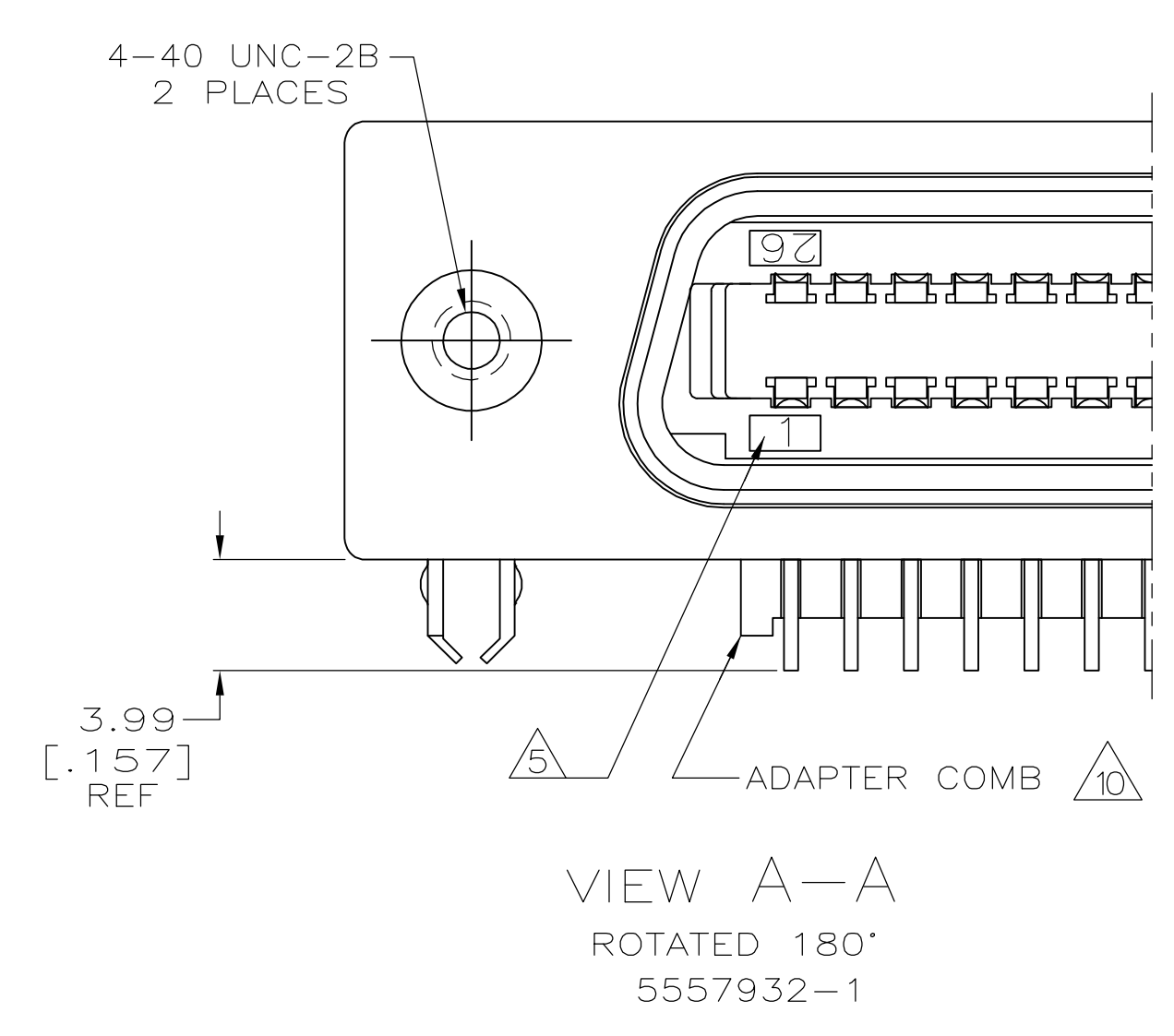


LOC		DIST		REVISIONS			
F	LTR	DESCRIPTION	DATE	DRN	APVD		
0		RELEASED PER EC OS13-0542-04	01SEP05	BM	WM		



- 1 MATERIAL: SUPPORT PLATE, POLYESTER, NATURAL (OR EQUIVALENT); HOUSING AND ADAPTER COMB - POLYESTER, BLACK. RECEPTACLE SHIELD - BRIGHT NICKEL OVER COPPER PLATED ZINC. TERMINALS - PHOS BRONZE PLATED WITH 0.76µm [.000030] MINIMUM GOLD ON MATING SURFACE AND 3.05µm [.000120] MINIMUM MATTE TIN ON TAILS. 1.27µm [.000050] MINIMUM NICKEL UNDERPLATE OVER ENTIRE TERMINAL. GROUND BRACKET - TIN PLATED CARBON STEEL.
- 2 COVER - POLYESTER, NATURAL, (OR EQUIVALENT), PLATED MATTE COPPER 3.81µm [.000150] MINIMUM THICK, BENEATH MATTE NICKEL PLATE, 3.81µm [.000150] MINIMUM THICK.
- 3 CENTER TO CENTER SPACING OF TERMINALS IS 2.16 [.085] NOMINAL.
- 4 ALL DIMENSIONS SHOWN ARE MAXIMUM UNLESS OTHERWISE SPECIFIED.
- 5 TERMINAL 1 LOCATED IN THIS ROW FOR REVERSE ORIENTATION. SEE VIEW A-A.
- 6 GROUNDING BRACKET RETAINS CONNECTOR IN 1.57 [.062] THICK PC BOARD WITHOUT ADDITIONAL HARDWARE.
- 7 GROUNDING BRACKET LOCATES CONNECTOR FLUSH WITH TOP OF PC BOARD AND SPRING LOCKS BENEATH.
- 8 CYLINDRICAL SHAPE OFFERS 180° OF SOLDERING SURFACE.
- 9 SURFACE AREA OF GROUNDING BRACKET BELOW PC BOARD SHALL PASS SOLDERABILITY REQUIREMENTS IN ACCORDANCE WITH TYCO SPECIFICATION 109-11-2. DISCOLORATION, SCRATCHES, SPOTS AND OTHER COSMETIC DEFICIENCIES TYPICAL OF BARREL PLATING PROCESSES ARE ACCEPTABLE PROVIDING PARTS PASS 24 HOUR EXPOSURE AT 95% RH AT 40° C WITHOUT EVIDENCE OF CORROSION.
- 10 IF TERMINALS DO NOT EXTEND BELOW COMB, SHALL BE PARTIALLY RETRACTED BEFORE INSERTING CONNECTOR INTO PC BOARD.
- 11 THE CONTACT SURFACES OF THE TERMINALS ARE COATED WITH LUBRICANT.
- 12 SUPPORT PLATE (UNPLATED).
- 13 TERMINAL 1 LOCATED IN THIS ROW FOR STANDARD ORIENTATION. SEE VIEW C-C.

STANDARD ORIENTATION, VIEW C-C		5557932-2
REVERSE ORIENTATION, VIEW A-A		5557932-1
DESCRIPTION		PART NUMBER
RECEPTACLE ASSEMBLY, SHIELDED, RIGHT ANGLE, 50 POSITION, BOARD LOCK, PLATED COVER, AND SCREW LOCK, CHAMP		
THIS DRAWING IS A CONTROLLED DOCUMENT.		
DIMENSIONS: mm (INCHES)	TOLERANCES UNLESS OTHERWISE SPECIFIED:	
0 PLC ± -	1 PLC ± -	
2 PLC ± -	3 PLC ± -	
4 PLC ± -	ANGLES ± -	
MATERIAL	FINISH	
CUSTOMER DRAWING		