



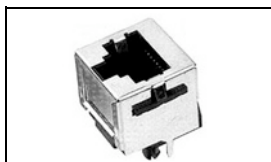
**Have a Question?**  
 Chat with a Product  
 Information Specialist

What can we help you find?

[Products](#) | 
 [Industries](#) | 
 [Resources](#) | 
 [About TE](#) | 
 [My Account](#) | 
 [Innovation](#) | 
 [Support Center](#)

## 5557969-1 Product Details

Share | 
 Print | 
 Email



**5557969-1**

TE Internal Number: 5557969-1

Active

View 3D PDF

### PCB Mounted Jacks - Single Port, Multi-port and Stacked

Always EU RoHS/ELV Compliant (Statement of Compliance)

#### Product Highlights:

- Connector
- Preloaded
- Single Port Configuration
- 1 x 1 Jack Configuration
- Jack Type = RJ45

[View all Features](#)

#### Quick Links

- ▶ [Pricing & Availability](#)
- ▶ [Search for Tooling](#)
- ▶ [Product Feature Selector](#)
- ▶ [Contact Us About This Product](#)

[Add to My Part List](#) | 
 [Request Sample](#) | 
 [Find Similar Products](#) | 
 [Buy Product](#)

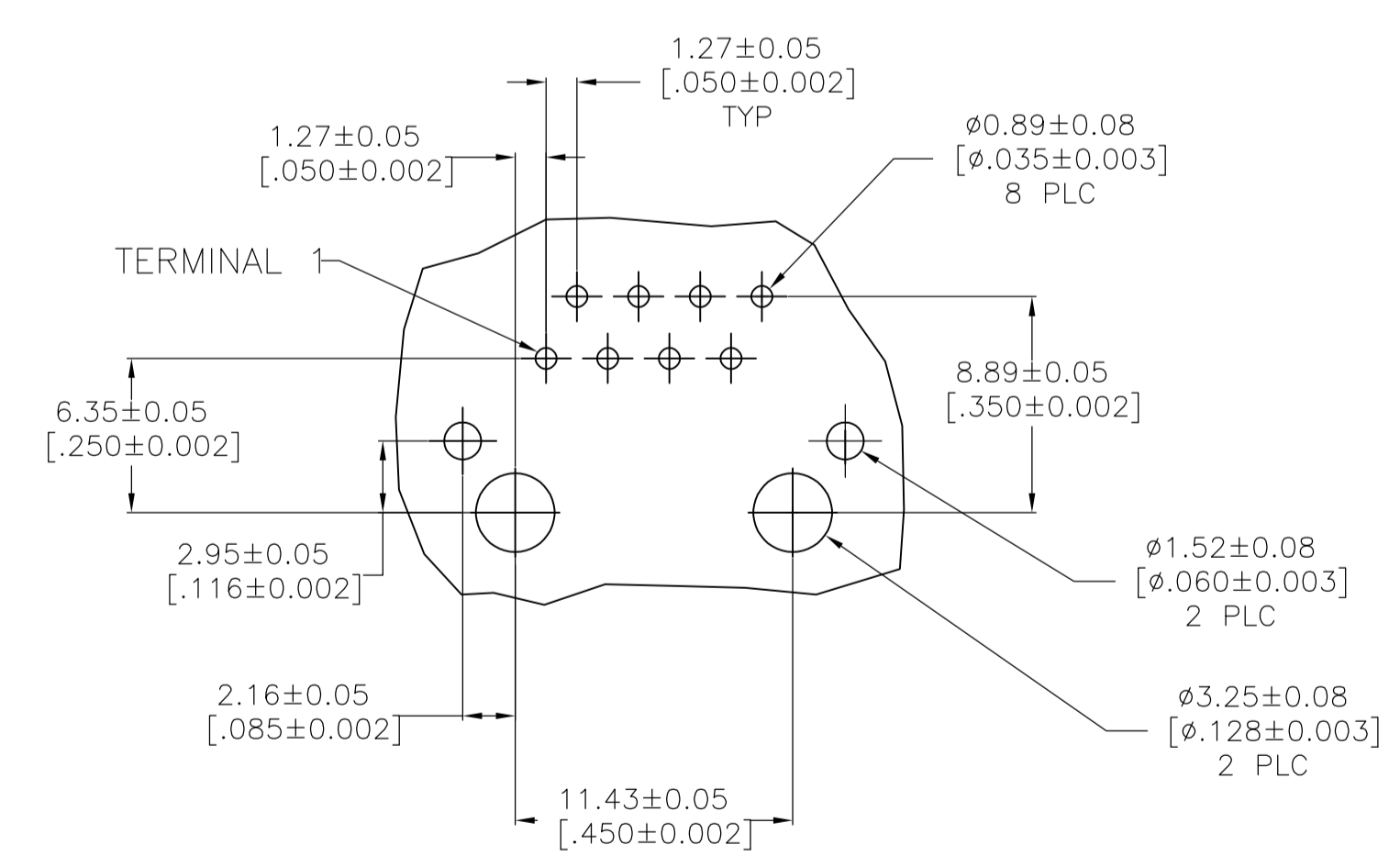
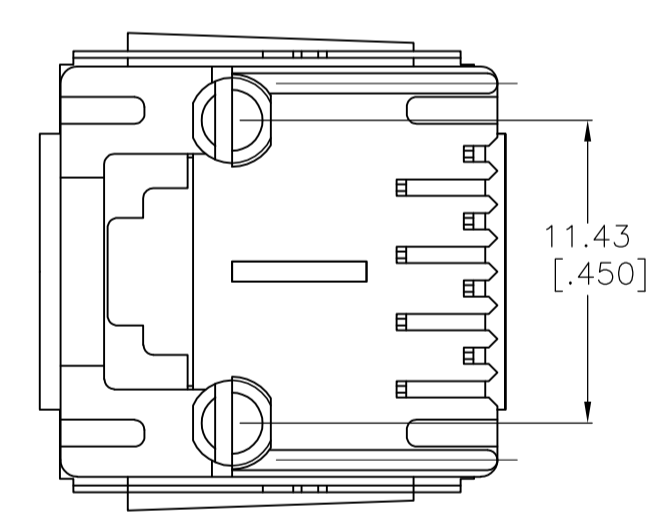
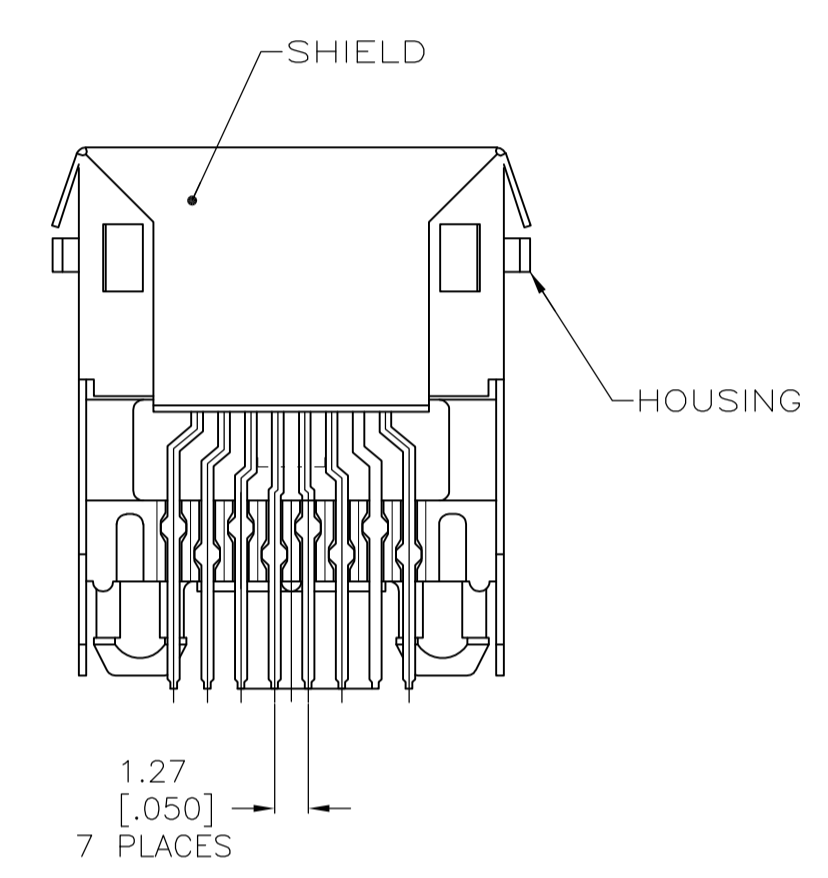
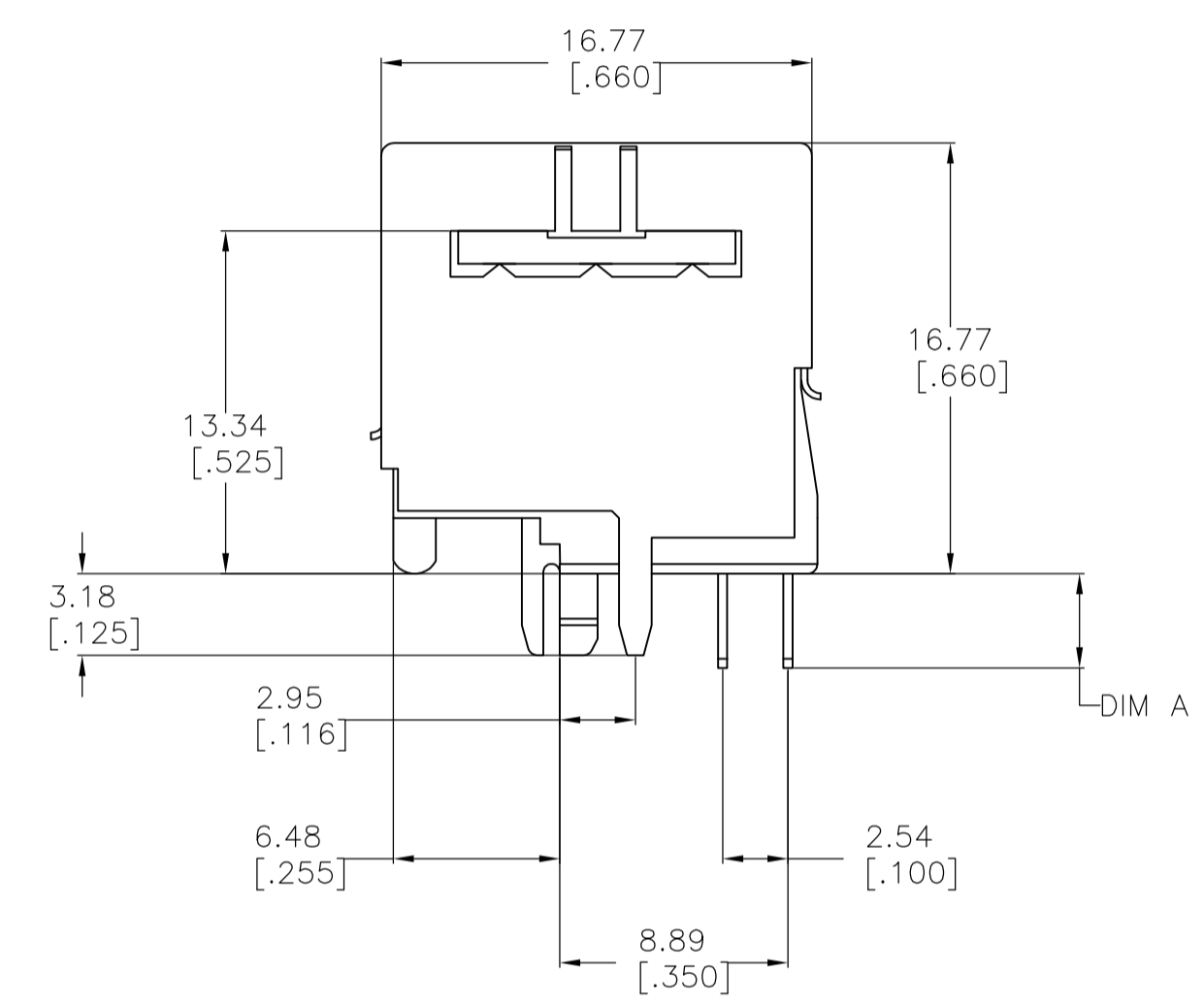
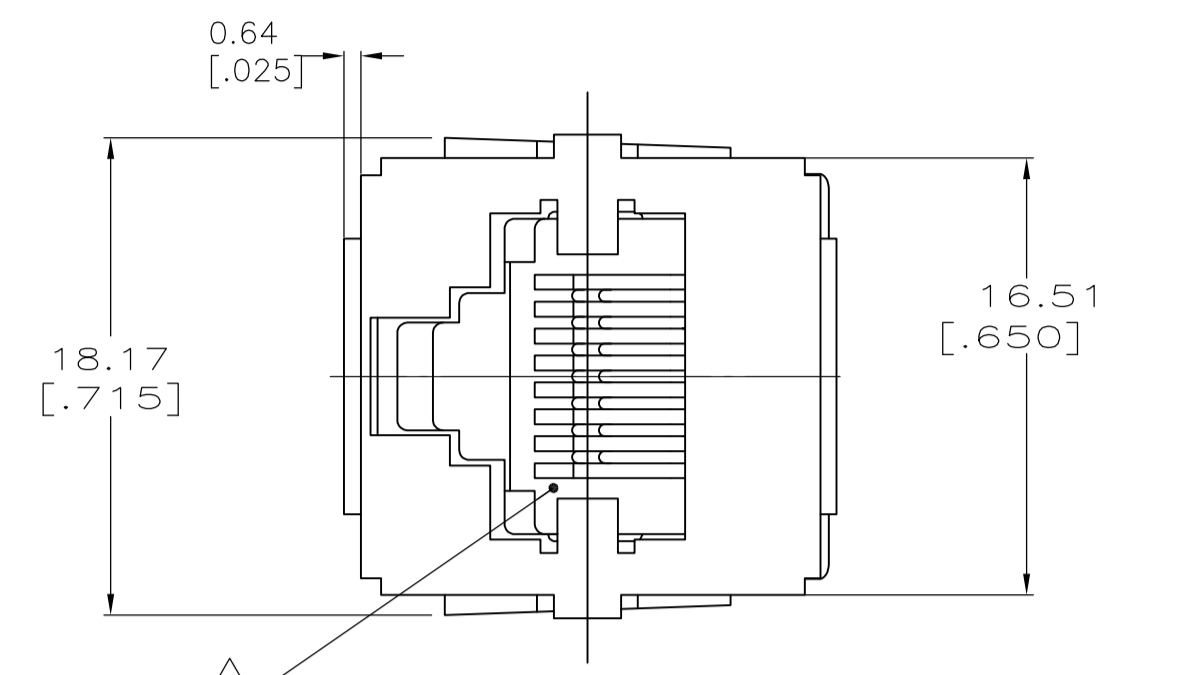
Documentation & Additional Information	
<p><b>Product Drawings:</b></p> <ul style="list-style-type: none"> <li>• <a href="#">MODULAR JACK ASSEMBLY, TOP ENTRY,8 POSITION, FLANGEL...</a> (PDF, English)</li> </ul> <p><b>Catalog Pages/Data Sheets:</b></p> <ul style="list-style-type: none"> <li>• <a href="#">1-1773464-9_MODULAR JACKS_SINGLE_PORT_PCB_MOUNT</a> (PDF, English)</li> <li>• <a href="#">82066 - Modular Jacks and MRJ21 Product catalog - Si...</a> (PDF, English)</li> </ul> <p><b>Product Specifications:</b></p> <ul style="list-style-type: none"> <li>• <a href="#">Modular Plugs, Thru-Hole and Surface Mount Jacks, Da...</a> (PDF, English)</li> </ul> <p><b>Application Specifications:</b></p> <ul style="list-style-type: none"> <li>• <a href="#">Modular Jacks</a> (PDF, English)</li> </ul> <p><b>Instruction Sheets:</b></p> <ul style="list-style-type: none"> <li>• None Available</li> </ul> <p><b>CAD Files:</b> (<a href="#">CAD Format &amp; Compression Information</a>)</p> <ul style="list-style-type: none"> <li>• <a href="#">2D Drawing</a> (DXF, Version D)</li> <li>• <a href="#">3D Model</a> (IGES, Version D)</li> <li>• <a href="#">3D Model</a> (STEP, Version D)</li> </ul>	<p><b>Additional Information:</b></p> <ul style="list-style-type: none"> <li>• <a href="#">Product Line Information</a></li> </ul> <p><b>Related Products:</b></p> <ul style="list-style-type: none"> <li>• <a href="#">Tooling</a></li> </ul>

[List all Documents](#)

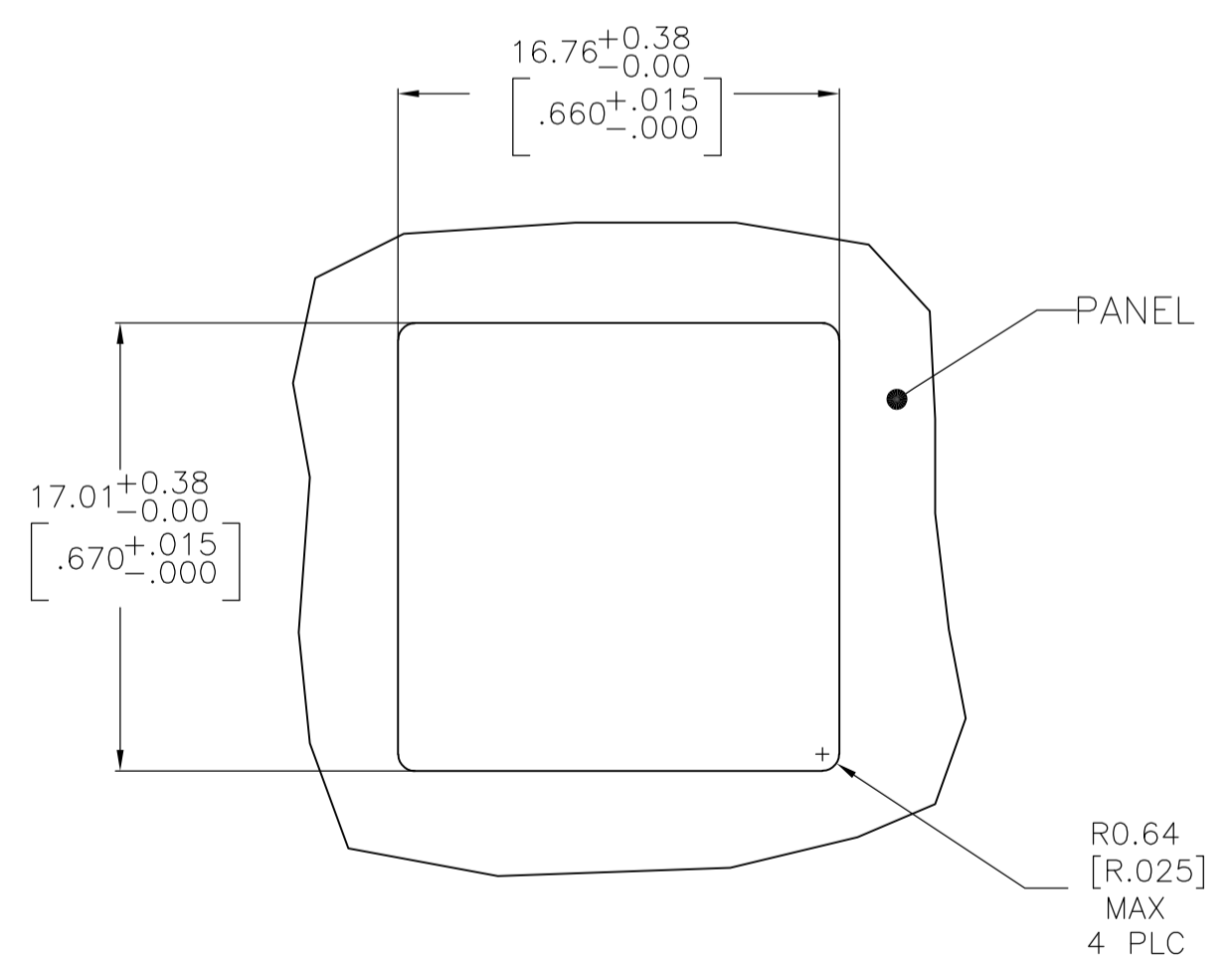
Product Features (Please use the Product Drawing for all design activity)	
<p><b>Product Type Features:</b></p> <ul style="list-style-type: none"> <li>• Product Type = Connector</li> <li>• Jack Type = RJ45</li> <li>• PCB Mounting Orientation = Top Entry (Vertical)</li> <li>• PCB Mount Style = Through Hole</li> <li>• Termination Method to PC Board = Solder</li> <li>• Performance Category = Cat 3</li> <li>• LED = Without</li> <li>• Grounding Options = Panel Ground and PCB Ground</li> <li>• Panel Stops = With</li> <li>• Keyed = No</li> <li>• Profile = Standard</li> <li>• Color = Black</li> <li>• Shield Material = Copper Alloy</li> <li>• Latch Style = Standard</li> </ul> <p><b>Mechanical Attachment:</b></p> <ul style="list-style-type: none"> <li>• Panel Mount Retention = With</li> <li>• Flanged = No</li> </ul> <p><b>Electrical Characteristics:</b></p> <ul style="list-style-type: none"> <li>• Shielded = Yes</li> </ul> <p><b>Termination Features:</b></p> <ul style="list-style-type: none"> <li>• Solder Tail Contact Plating = Tin over Nickel</li> </ul> <p><b>Dimensions:</b></p> <ul style="list-style-type: none"> <li>• Height (mm [in]) = 16.64 [0.655]</li> <li>• PCB Tail Length (mm [in]) = 3.18 [0.125]</li> <li>• PCB Thickness, Recommended (mm [in]) = 1.57 [0.062]</li> </ul>	<p><b>Contact Features:</b></p> <ul style="list-style-type: none"> <li>• Contact Plating, Mating Area, Material = Gold (50)</li> <li>• Contact Base Material = Phosphor Bronze</li> </ul> <p><b>Housing Features:</b></p> <ul style="list-style-type: none"> <li>• Housing Material = PBT - GF</li> <li>• UL Flammability Rating = UL 94V-0</li> </ul> <p><b>Configuration Features:</b></p> <ul style="list-style-type: none"> <li>• Preloaded = Yes</li> <li>• Port Configuration = Single</li> <li>• Jack Configuration = 1 x 1</li> </ul> <ul style="list-style-type: none"> <li>• Number of Positions = 8</li> <li>• Number of Contacts Loaded = 8</li> <li>• Number of PCB Ground Tabs = 2</li> </ul> <p><b>Industry Standards:</b></p> <ul style="list-style-type: none"> <li>• RoHS/ELV Compliance = RoHS compliant, ELV compliant</li> <li>• Lead Free Solder Processes = Wave solder capable to 240°C, Wave solder capable to 260°C, Wave solder capable to 265°C</li> <li>• RoHS/ELV Compliance History = Always was RoHS compliant</li> </ul> <p><b>Packaging Features:</b></p> <ul style="list-style-type: none"> <li>• Packaging Method = Tray</li> </ul> <p><b>Product Availability:</b></p> <ul style="list-style-type: none"> <li>• Region = Asia, North America</li> </ul> <p><b>Other:</b></p> <ul style="list-style-type: none"> <li>• Brand = AMP</li> </ul>

**Body Features:**

- [Inverted Jack Face](#) = No
- Shield Plating = Tin
- PCB Ground Tab Location (mm [in]) = 2.95 [0.116]



RECOMMENDED PRINTED  
CIRCUIT BOARD LAYOUT  
COMPONENT SIDE SHOWN



RECOMMENDED PANEL  
CUTOUT

- MATERIAL:  
HOUSING – POLYESTER MOLDING COMPOUND, COLOR: BLACK  
TERMINALS – 0.35[.0138] THICK PHOS BRONZE PLATED WITH 1.27μm[.000050] MIN THICK GOLD IN LOCALIZED AREA AND 3.81μm[.000150] MIN THICK MATTE TIN IN SOLDER AREA OVER 1.27μm[.000050] MIN THICK NICKEL UNDERPLATE  
SHIELD – COPPER ZINC ALLOY PLATED WITH 3.0μm [.000120] MIN THICK REFLOWED TIN.

2 CAVITY CONFORMS TO FCC RULES AND REGULATIONS PART 68 AND REA BULLETIN 345-81, PE-76 SPECIFICATION FOR MODULAR TELEPHONE HARDWARE.

2.79-3.30 [.120±.010]	5557969-2
2.79-3.56 [.125±.015]	5557969-1
DIM A	PART NUMBER

THIS DRAWING IS A CONTROLLED DOCUMENT.		DIN A FERNANDEZ-DOCKS 06JUN2005		STE TE Connectivity	
DIMENSIONS: mm [INCHES]		CIRK J. WESTMAN 06JUN2005		NAME	
TOLERANCES UNLESS OTHERWISE SPECIFIED:		APVD S. FLICKINGER 06JUN2005		PRODUCT SPEC	
0 PLC ± -		PRODUCT SPEC		MODULAR JACK ASSEMBLY, TOP ENTRY, 8 POSITION, FLANGELESS, SHIELDED, WITH PANEL	
1 PLC ± -		APPLICATION SPEC		108-1163	
2 PLC ± 0.13[.005]		SIZE		114-2048	
3 PLC ± -		WEIGHT		A1 00779 5557969	
4 PLC ± -		CUSTOMER DRAWING		SCALE 4:1 SHEET 1 OF 1 REV D1	
ANGLES ± -		SCALE		SHEET	
FINISH SEE NOTE 1		SCALE 4:1		SHEET 1 OF 1	