

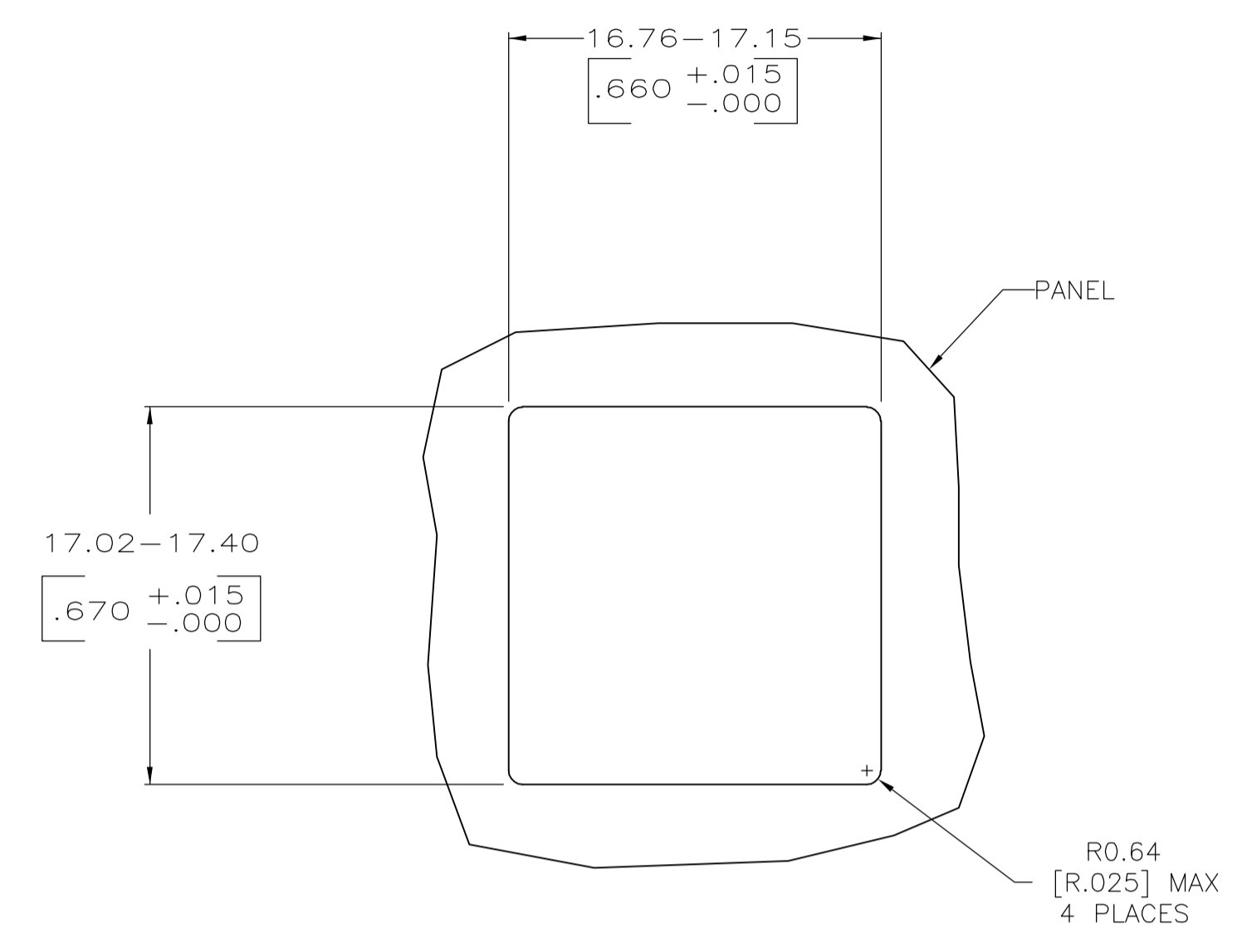
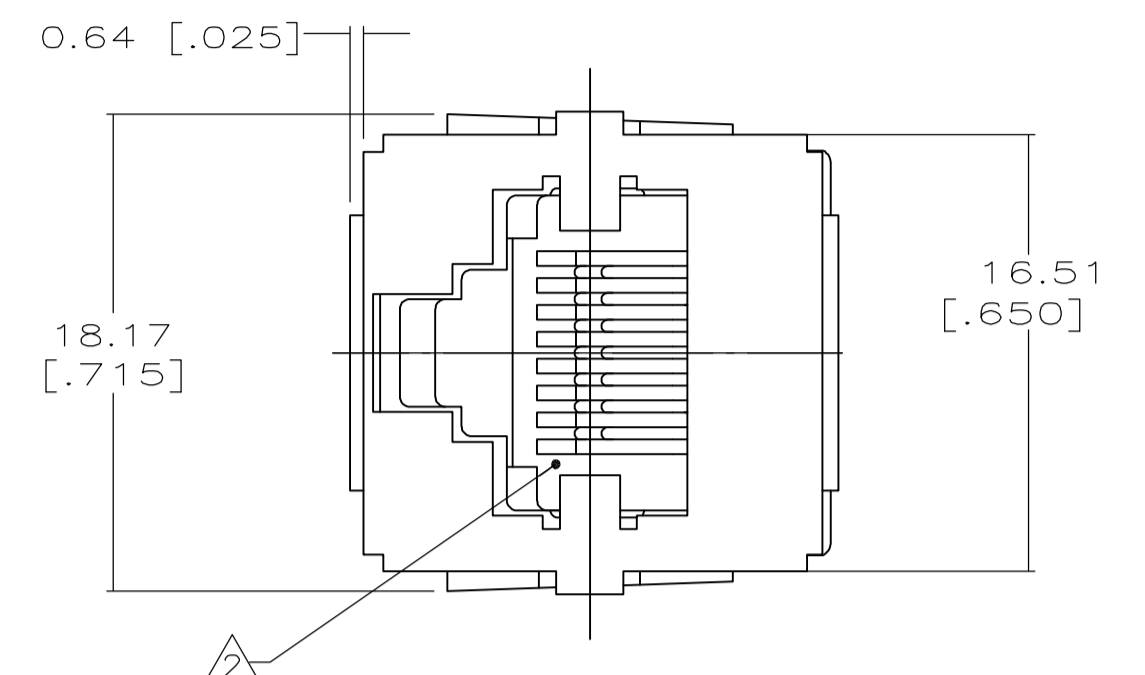
Distributed by:

JAMECO[®]
ELECTRONICS

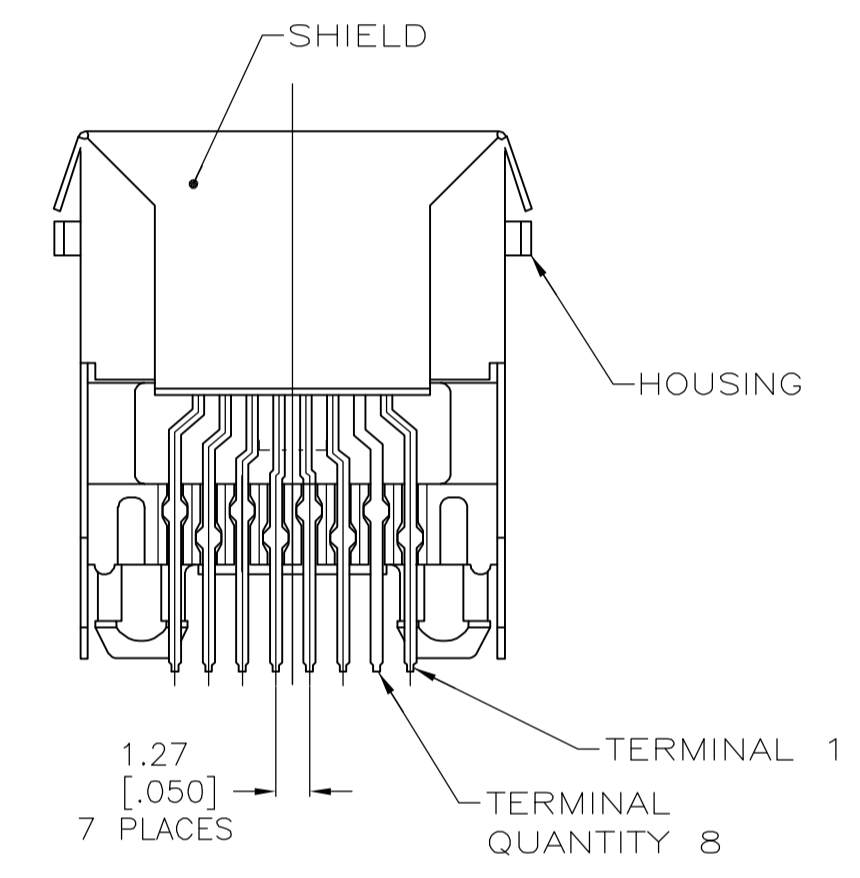
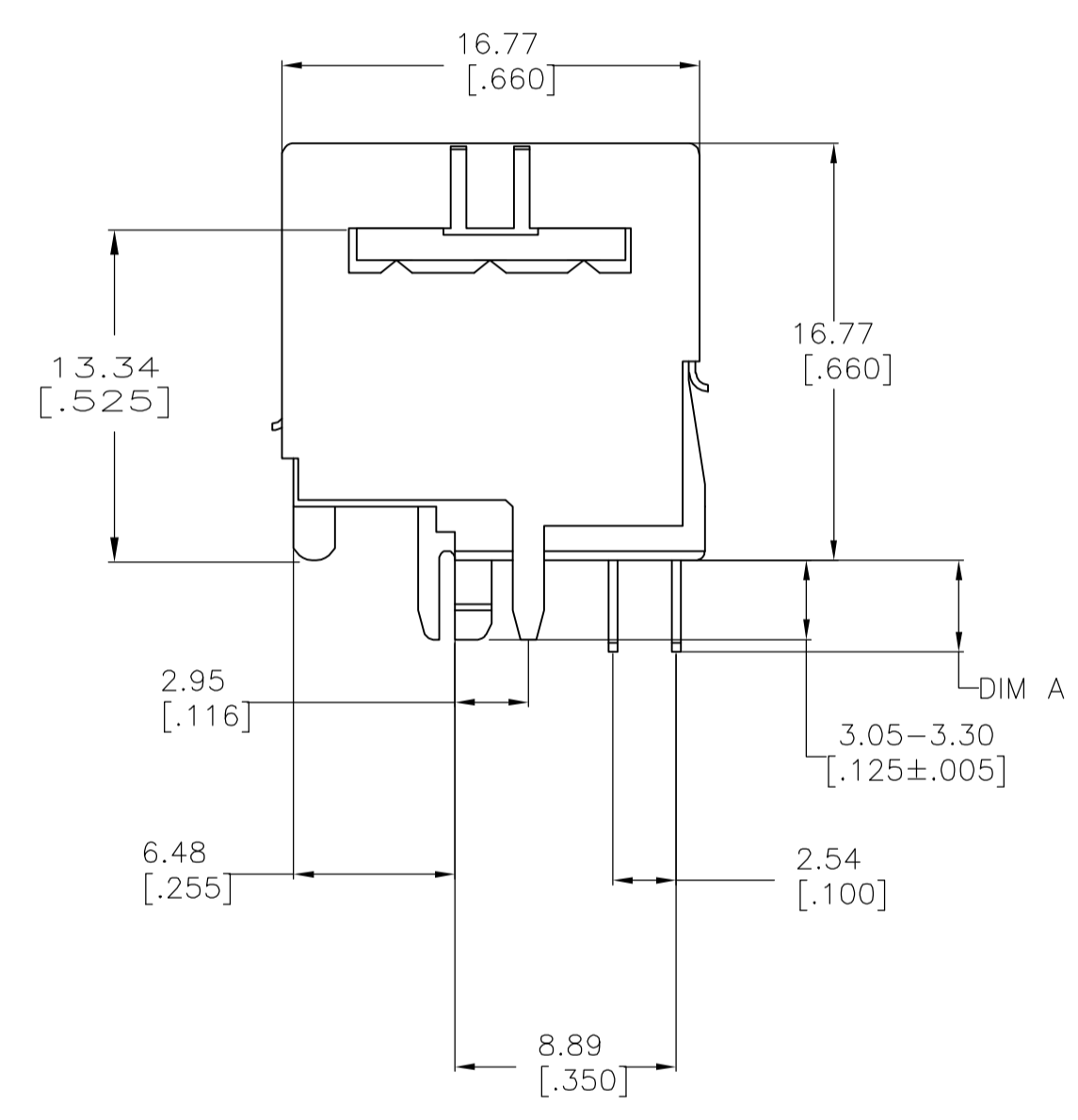
www.Jameco.com ♦ 1-800-831-4242

The content and copyrights of the attached
material are the property of its owner.

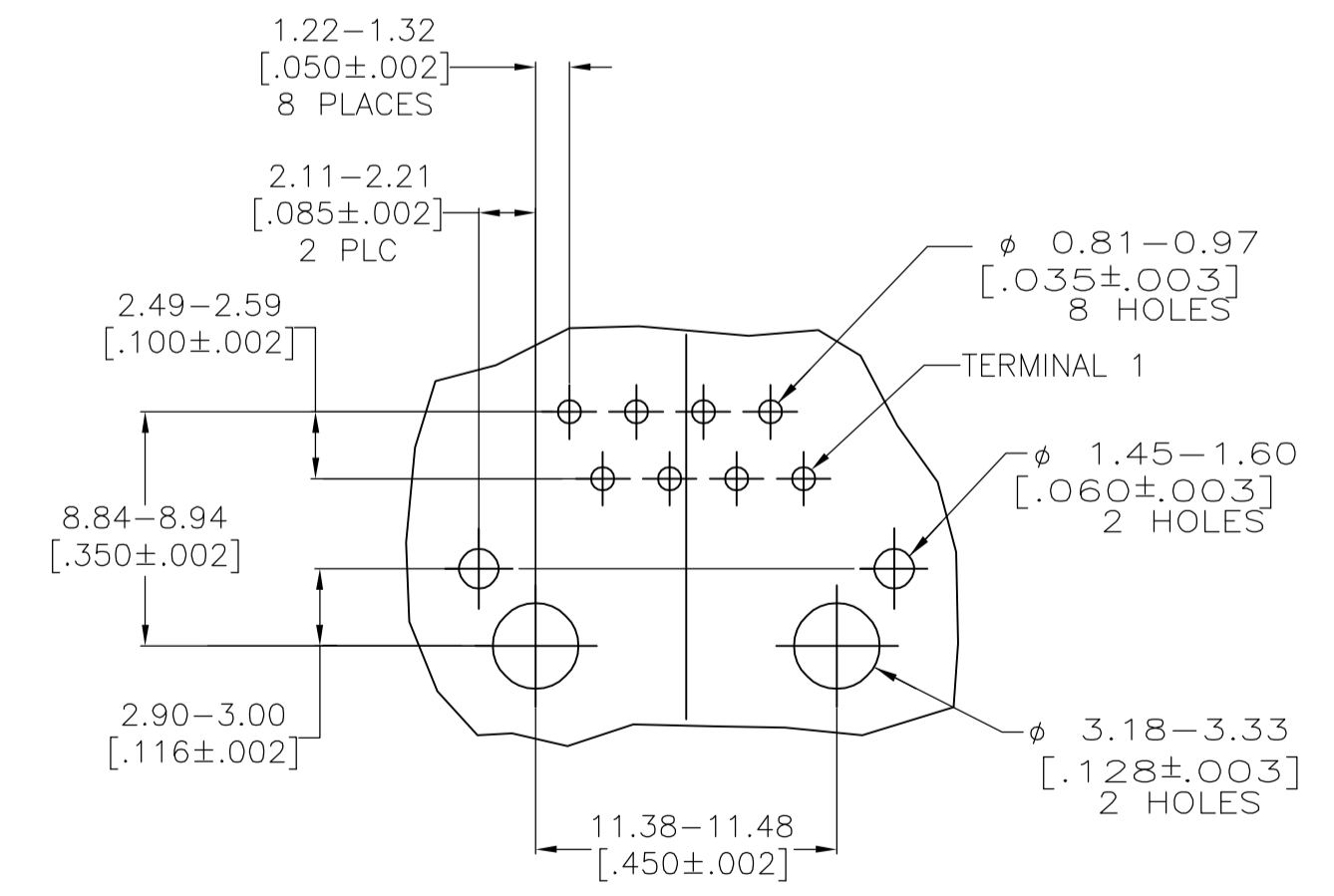
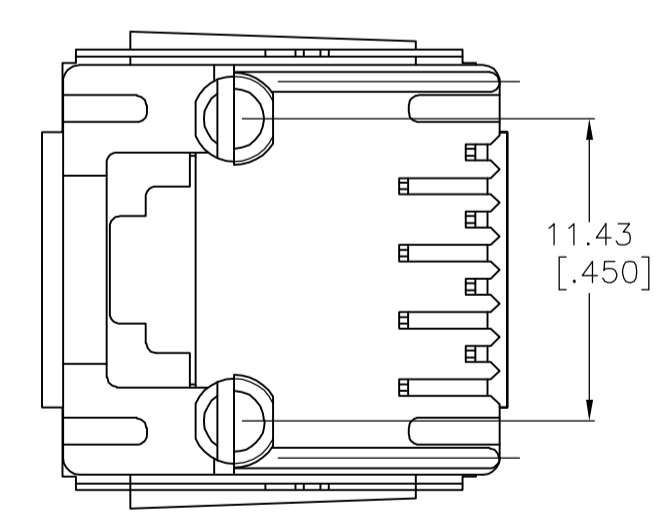
Jameco Part Number 958876



- 1 MATERIAL: HOUSING- POLYESTER MOLDING COMPOUND, BLACK.
 TERMINALS- 0.350 [.0138] THICK PHOS BRONZE PLATED WITH 1.27μm [.000050] MINIMUM THICK GOLD IN LOCALIZED AREA AND 3.81μm [.000150] MINIMUM THICK MATTE TIN IN SOLDER AREA OVER 1.27μm [.000050] MINIMUM THICK NICKEL UNDERPLATE.
 SHIELD- COPPER ZINC ALLOY PLATED WITH 2.03μm [.000080] MINIMUM THICK BRIGHT TIN OVER 1.27μm [.000050] MINIMUM THICK NICKEL.
- 2 CAVITY CONFORMS TO FCC RULES AND REGULATIONS PART 68 AND REA BULLITIN 345-81, PE-76 SPECIFICATION FOR MODULAR TELEPHONE HARDWARE.



SUGGESTED PANEL CUTOUT



SUGGESTED PRINTED CIRCUIT BOARD LAYOUT
 NONCOMPONENT SIDE SHOWN

2.79-3.30 [.120±.010]	5557969-2
2.92-3.94 [.135±.020]	5557969-1
DIM A	PART NUMBER

THIS DRAWING IS A CONTROLLED DOCUMENT.		DWN A. FERNANDEZ-DOCKES 06JUN2005		Tyco Electronics Corporation Harrisburg, PA 17105-3608	
DIMENSIONS: mm [INCHES]		CHK J. WESTMAN 06JUN2005		NAME S. FLICKINGER	
TOLERANCES UNLESS OTHERWISE SPECIFIED:		PRODUCT SPEC 108-1163		MODULAR JACK ASSEMBLY, TOP ENTRY, 8 POSITION, FLANGELESS, SHIELDED, WITH PANEL	
0 PLC ± -		APPLICATION SPEC 114-2048		RESTRICTED TO	
1 PLC ± -		SIZE A1		CAGE CODE 00779	
2 PLC ± 0.15[.005]		DRAWING NO 5557969		REV B	
3 PLC ± -		WEIGHT -		SCALE 4:1	
4 PLC ± -		CUSTOMER DRAWING		SHEET 1 OF 1	
ANGLES ± -				REV	
FINISH SEE NOTE 1					