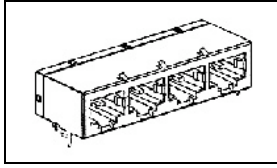


## 5558503-1 Product Details



**5558503-1**

TE Internal Number: 5558503-1



Active

### PCB Mounted Jacks - Single Port, Multi-port and Stacked

 Always EU RoHS/ELV Compliant (Statement of Compliance)

#### Product Highlights:

- Connector
- Preloaded
- Multiple Port Configuration
- 1 x 4 Jack Configuration
- Jack Type = RJ45

### Documentation & Additional Information

#### Product Drawings:

- [MODULAR JACK ASSEMBLY, PORT, 8 POSITION, RIGHT ANGL...](#) (PDF, English)

#### Catalog Pages/Data Sheets:

- [82066 - Modular Jacks and MRJ21 Product catalog - Mu...](#) (PDF, English)

#### Product Specifications:

- [High Performance Modular Plugs & Jacks, PCB Mounted](#) (PDF, English)

#### Application Specifications:

- [Modular Jacks](#) (PDF, English)

#### Instruction Sheets:

- None Available

#### CAD Files: (CAD Format & Compression Information)

- [2D Drawing](#) (DXF, Version A)
- [3D Model](#) (IGES, Version A)
- [3D Model](#) (STEP, Version A)

#### Additional Information:

- [Product Line Information](#)

#### Related Products:

- [Tooling](#)

### Product Features (Please use the Product Drawing for all design activity)

#### Product Type Features:

- Product Type = Connector
- Jack Type = RJ45
- PCB Mounting Orientation = Side Entry (Right Angle)
- PCB Mount Style = Through Hole
- Termination Method to PC Board = Solder
- Performance Category = Cat 5e
- LED = Without
- Grounding Options = PCB Ground
- Panel Stops = Without
- Keyed = No
- Profile = Standard
- Color = Black
- Shield Material = Copper Zinc Alloy

#### Mechanical Attachment:

- Panel Mount Retention = Without

#### Electrical Characteristics:

- Shielded = Yes

#### Termination Features:

- Solder Tail Contact Plating = Tin over Nickel

#### Dimensions:

- PCB Tail Length (mm [in]) = 3.56 [0.140]

#### Body Features:

- Inverted Jack Face = No
- Shield Plating = Tin over Copper
- Number of Contacts Loaded, RJ45 (8 Positions) = 8
- PCB Ground Tab Location (mm [in]) = 4.57 [0.180]

#### Contact Features:

- Contact Plating, Mating Area, Material = Gold (50)
- Contact Base Material = Phosphor Bronze

#### Housing Features:

- Housing Material = High Temperature Nylon
- UL Flammability Rating = UL 94V-0

#### Configuration Features:

- Preloaded = Yes
- Port Configuration = Multiple
- Jack Configuration = 1 x 4
- Number of Positions = 8
- Number of Contacts Loaded = 8
- Number of PCB Ground Tabs = 3

#### Industry Standards:

- RoHS/ELV Compliance = RoHS compliant, ELV compliant
- Lead Free Solder Processes = Wave solder capable to 240°C, Wave solder capable to 260°C, Wave solder capable to 265°C
- RoHS/ELV Compliance History = Always was RoHS compliant

#### Packaging Features:

- Packaging Method = Tray
- Packaging Quantity = 20

#### Product Availability:

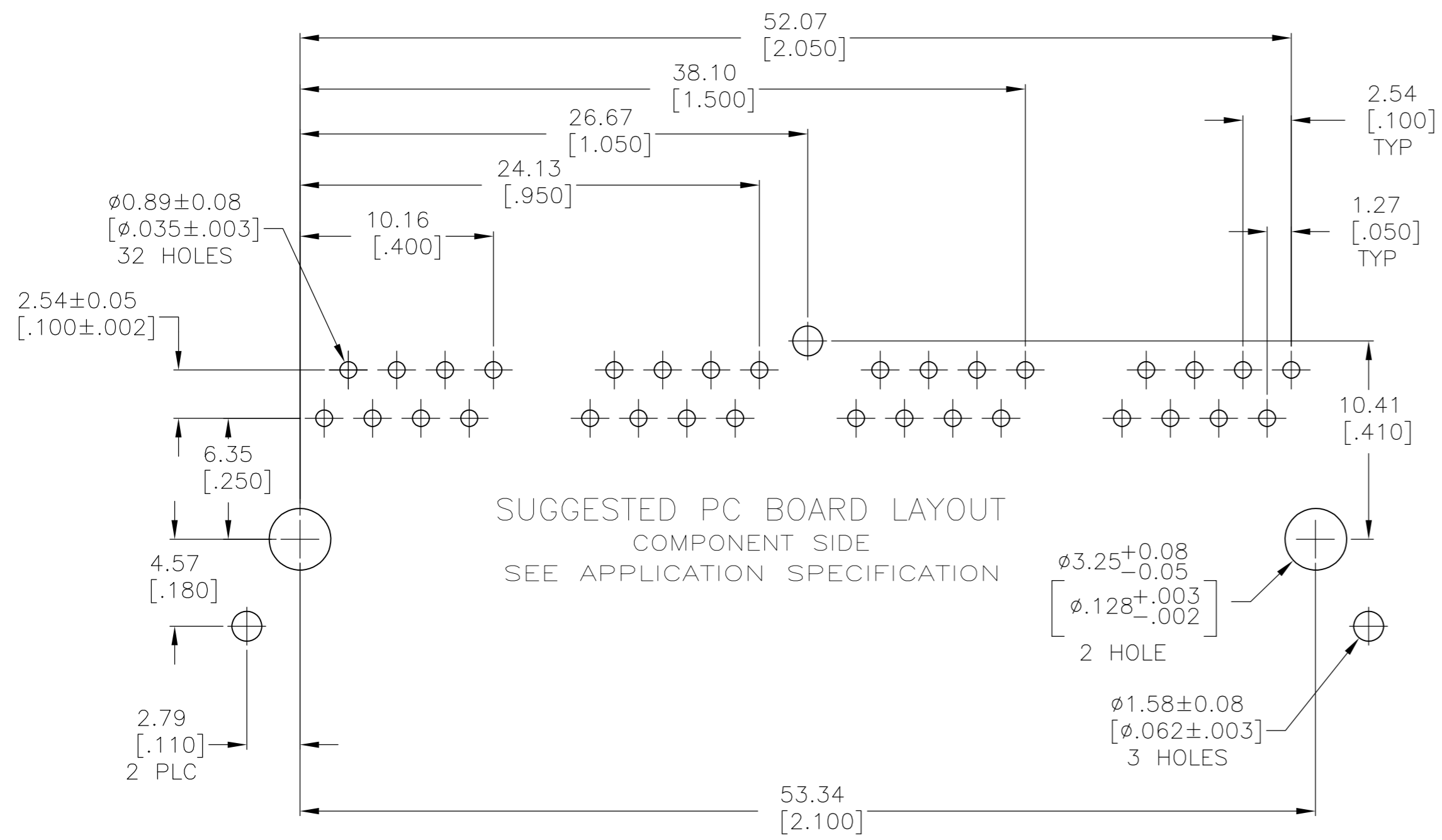
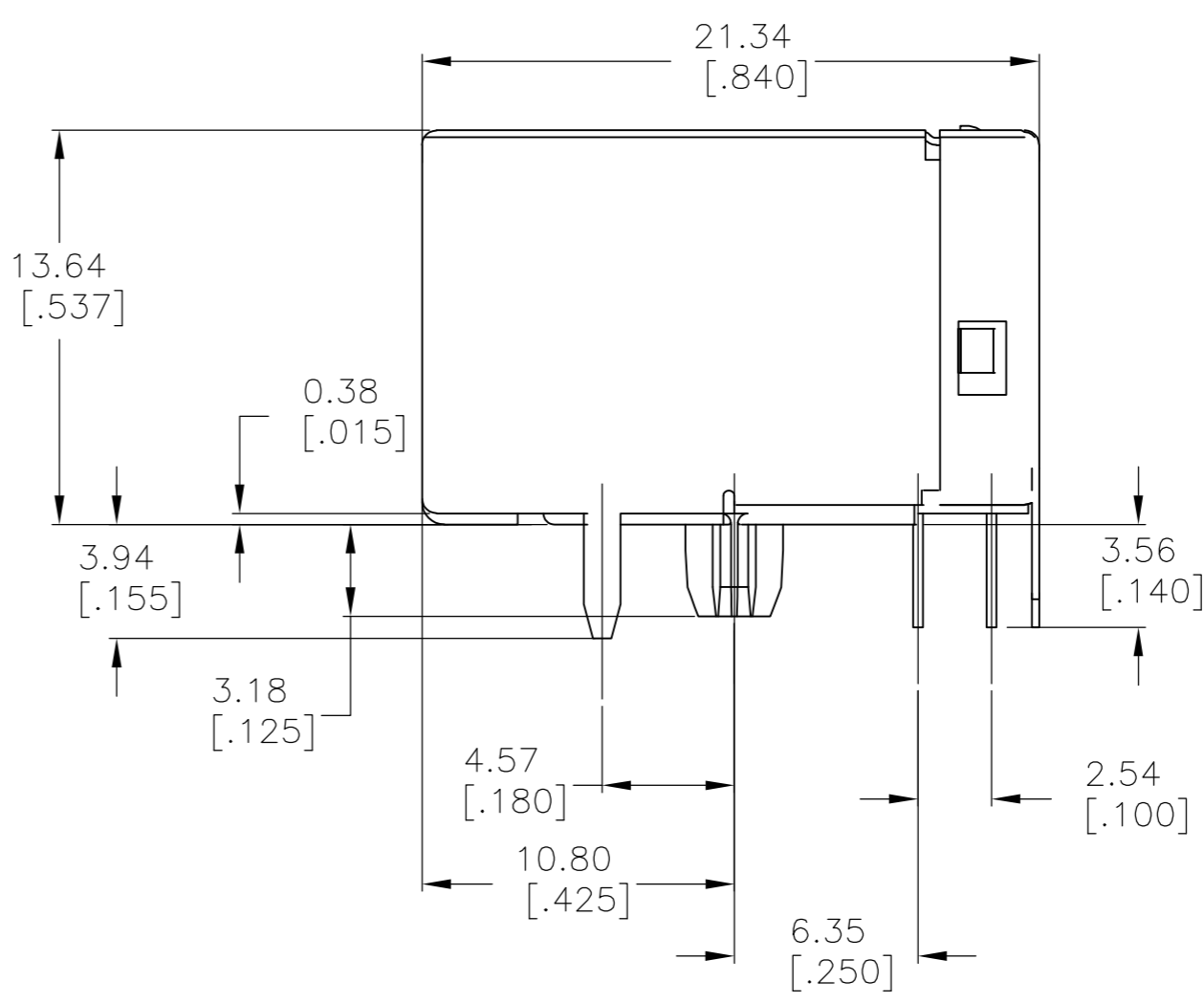
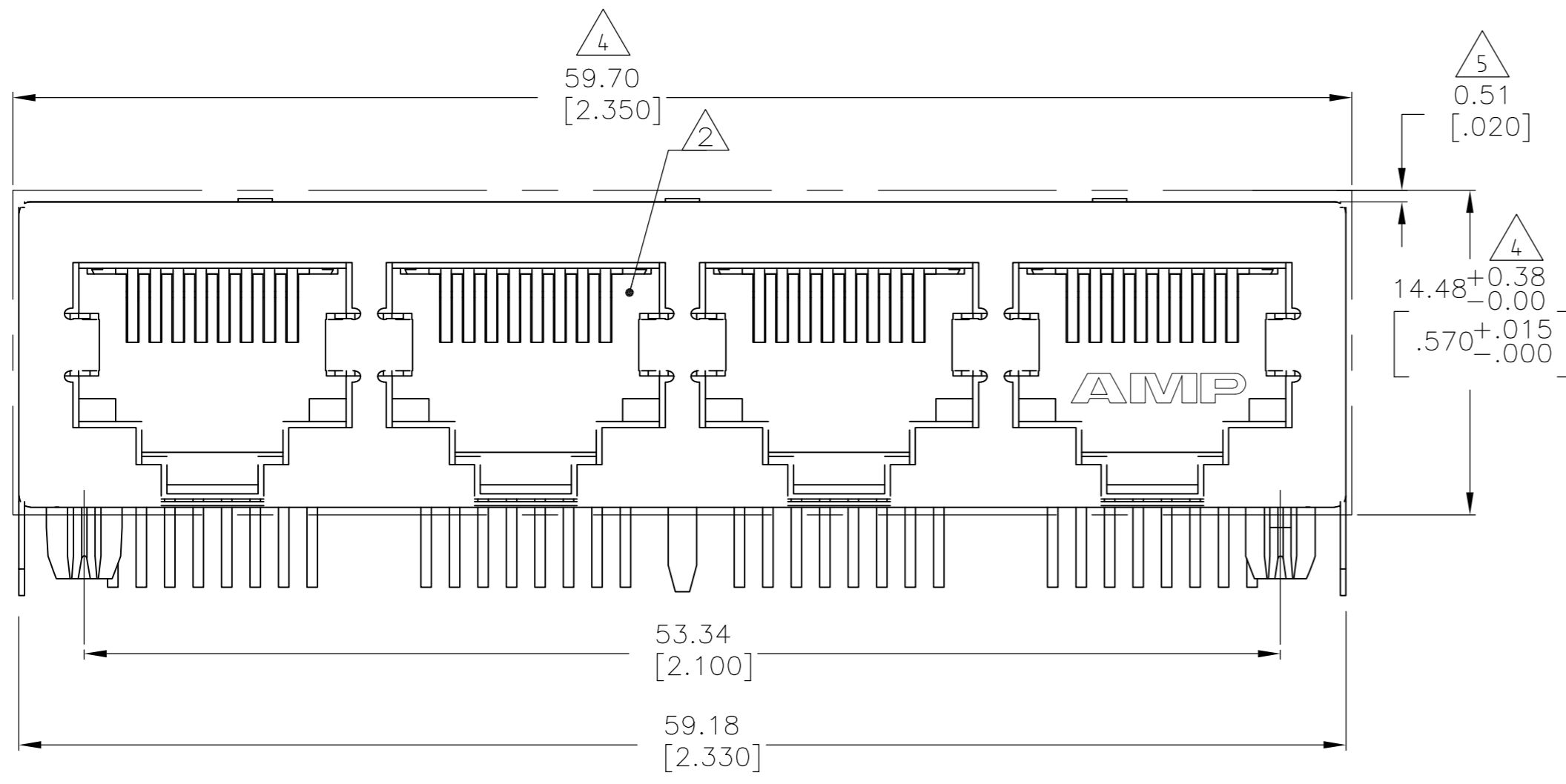
- Region = Asia, North America

#### Other:

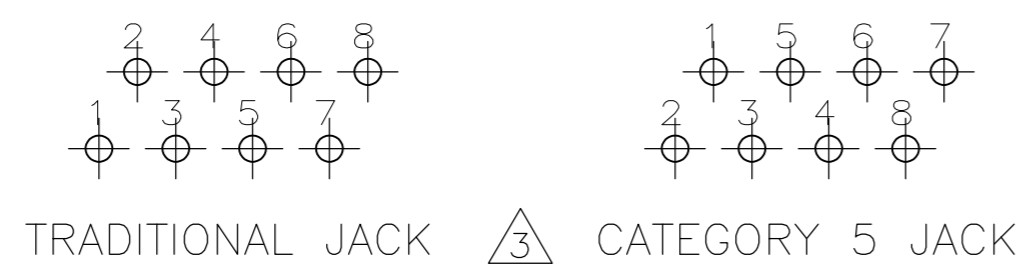
- Brand = AMP

THIS DRAWING IS UNPUBLISHED. RELEASED FOR PUBLICATION  
 © COPYRIGHT - By - ALL RIGHTS RESERVED.

LOC		DIST		REVISIONS			
P	LTR	DESCRIPTION	DATE	DWN	APVD		
AA	00						
D		ECR-11-017936	28OCT2011	JJ	MQW		



SUGGESTED PC BOARD LAYOUT  
 COMPONENT SIDE  
 SEE APPLICATION SPECIFICATION



- MATERIAL: HOUSING- HIGH TEMPERATURE NYLON, BLACK, IR COMPATIBLE, UL 94V-0.  
 TERMINALS - 0.33 [.013] THICK PHOS BRONZE PLATED WITH 1.27um [.000050] MINIMUM HARD GOLD IN LOCALIZED AREA AND 3.81um [.000150] MINIMUM TIN IN SOLDER AREA OVER 1.27um [.000050] MINIMUM NICKEL UNDERPLATE  
 SHIELDS - 0.25 [.010] THICK COPPER ALLOY PLATED WITH 1.27 um [.000050] MINIMUM NICKEL AND 2.03 um [.000080] MINIMUM HOT TIN DIP ON PCB GROUND TABS.

- ② JACK CAVITY CONFORMS TO FCC RULES AND REGULATIONS, PART 68 SUBPART F.
- ③ CAUTION: CATEGORY 5 JACK SOLDER TAIL POSITIONS DO NOT FOLLOW SAME NUMBER SEQUENCE AS THAT OF THE TRADITIONAL JACKS.
- ④ SUGGESTED PANEL OPENING DIMENSIONS
- ⑤ SUGGESTED CLEARANCE BETWEEN TOP OF CONNECTOR AND TOP PANEL OPENING

5558503-1  
 PART NUMBER

THIS DRAWING IS A CONTROLLED DOCUMENT.		DWN W. LONG/L.A.MAYER 04NOV2006	TE Connectivity	
DIMENSIONS: mm [INCHES]		CHK J.WESTMAN 04NOV2006	NAME	
TOLERANCES UNLESS OTHERWISE SPECIFIED:		APVD S.FLICKINGER 04NOV2006	PRODUCT SPEC	
0 PLC ± -		108-1163-2		
1 PLC ± -		APPLICATION SPEC		
2 PLC ± 0.25 [.010]		114-2048		
3 PLC ± -		WEIGHT		
4 PLC ± -		-		
ANGLES ± -		SIZE		
FINISH		A2		
SEE NOTE 1		CAGE CODE		
SEE NOTE 1		00779		
CUSTOMER DRAWING		DRAWING NO		
		C=5558503		
		RESTRICTED TO		
		-		
		SCALE		
		4:1		
		SHEET		
		1 OF 1		
		REV		
		D		