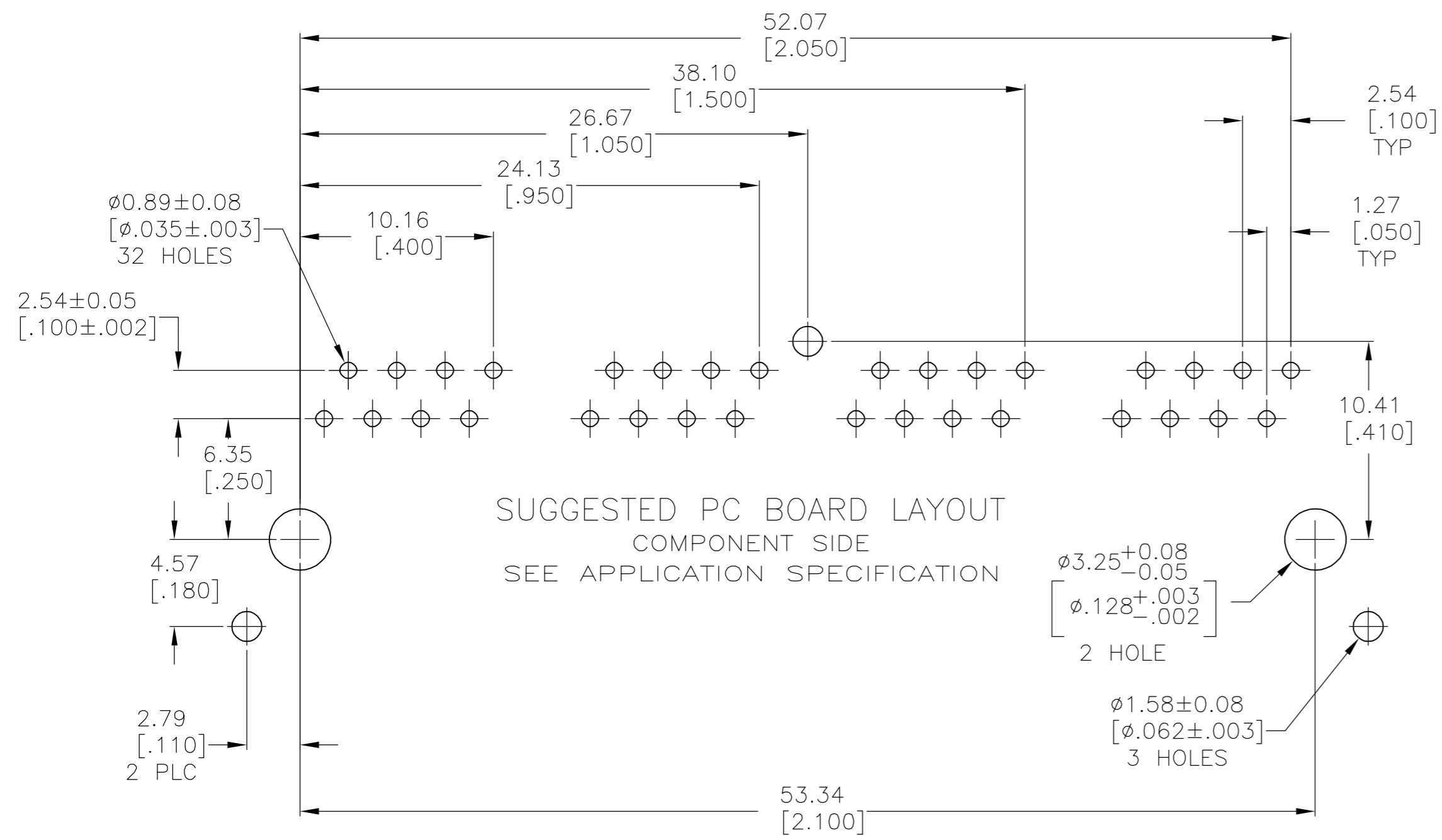
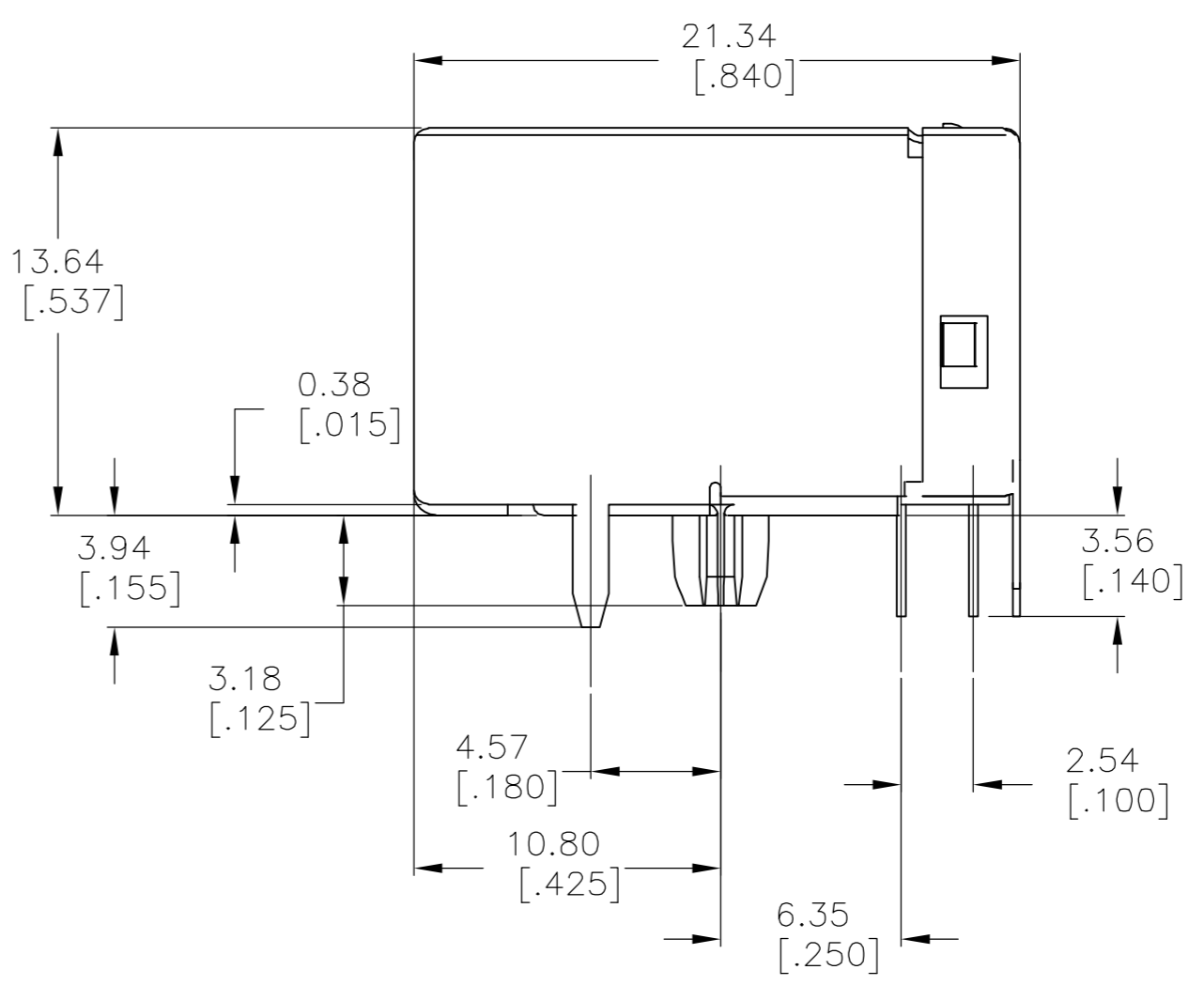
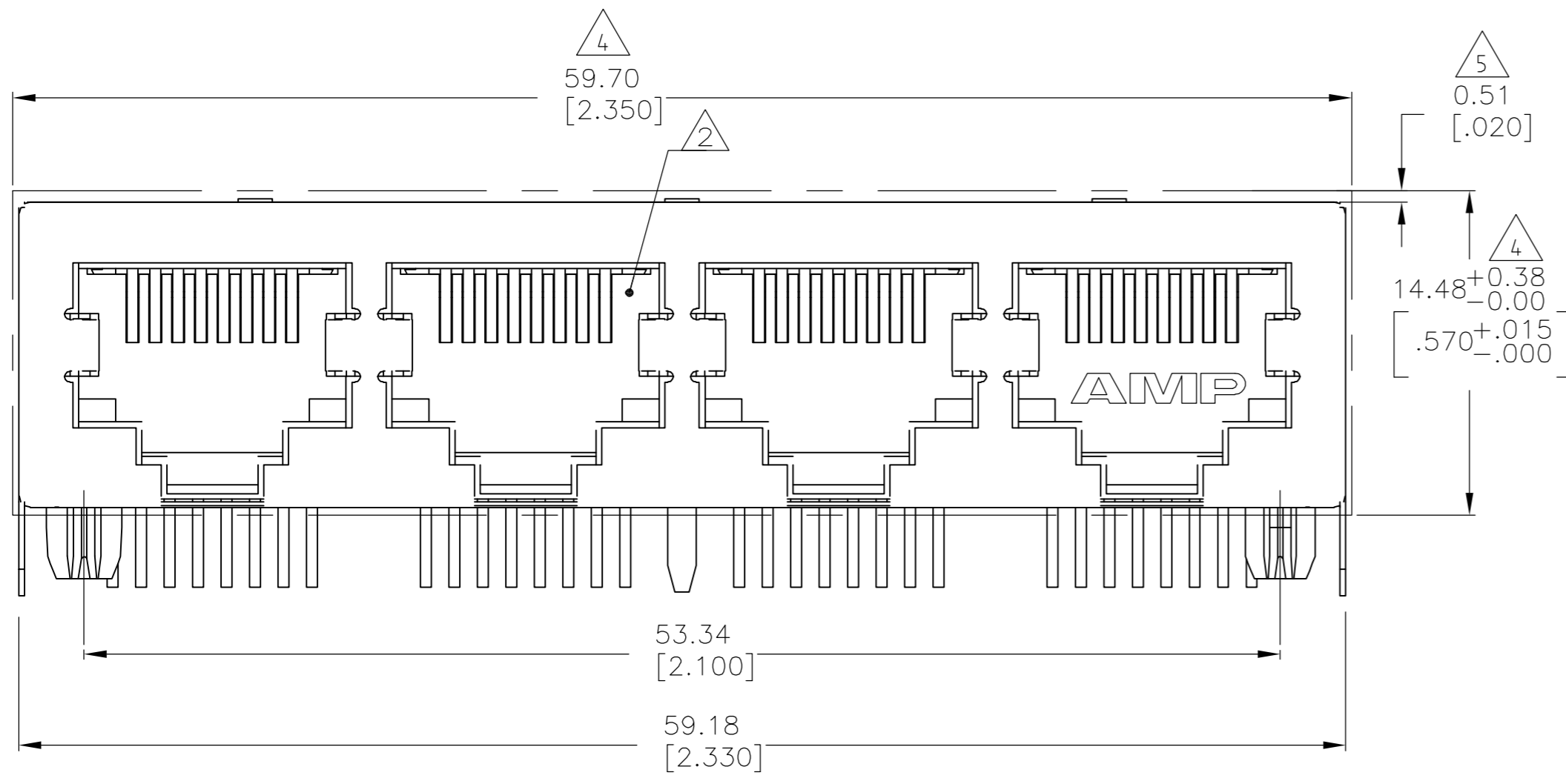
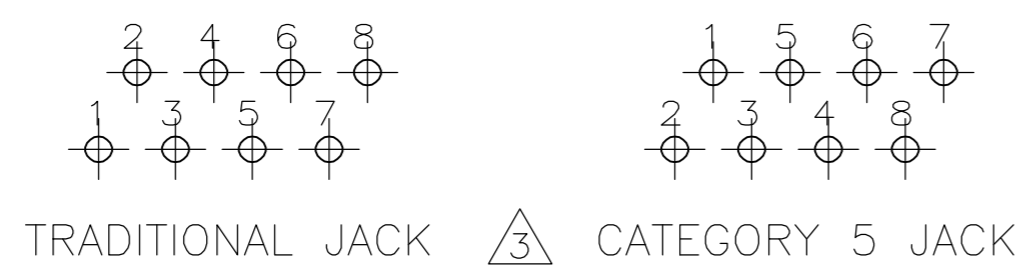


THIS DRAWING IS UNPUBLISHED. RELEASED FOR PUBLICATION  
 © COPYRIGHT BY TYCO ELECTRONICS CORPORATION. ALL RIGHTS RESERVED.

Loc		DIST		REVISIONS			
AA	00	P	LTR	DESCRIPTION	DATE	DWN	APVD
		C		REV PER ECO-07-004617	13MAR07	TK	JW



SUGGESTED PC BOARD LAYOUT  
 COMPONENT SIDE  
 SEE APPLICATION SPECIFICATION



- MATERIAL: HOUSING- HIGH TEMPERATURE NYLON, BLACK, IR COMPATIBLE, UL 94V-0.  
 TERMINALS - 0.33[.013] THICK PHOS BRONZE PLATED WITH 1.27 $\mu$ m[.000050] MINIMUM HARD GOLD IN LOCALIZED AREA AND 3.81 $\mu$ m[.000150] MINIMUM TIN IN SOLDER AREA OVER 1.27 $\mu$ m[.000050] MINIMUM NICKEL UNDERPLATE  
 SHIELDS - 0.25[.010] THICK COPPER ALLOY PLATED WITH 2.03 $\mu$ m[.000080] MINIMUM BRIGHT TIN OVER 1.27 $\mu$ m[.000050] MINIMUM NICKEL.

- JACK CAVITY CONFORMS TO FCC RULES AND REGULATIONS, PART 68 SUBPART F.
- CAUTION: CATEGORY 5 JACK SOLDER TAIL POSITIONS DO NOT FOLLOW SAME NUMBER SEQUENCE AS THAT OF THE TRADITIONAL JACKS.
- SUGGESTED PANEL OPENING DIMENSIONS
- SUGGESTED CLEARANCE BETWEEN TOP OF CONNECTOR AND TOP PANEL OPENING

5558503-1  
 PART NUMBER

THIS DRAWING IS A CONTROLLED DOCUMENT.		DWN W. LONG/L.A.MAYER 04NOV2006	tyco Electronics Tyco Electronics Corporation Harrisburg, PA 17105-3608	
DIMENSIONS: mm [INCHES]		CHK J.WESTMAN 04NOV2006	NAME S.FLICKINGER	
TOLERANCES UNLESS OTHERWISE SPECIFIED: 0 PLC ± - 1 PLC ± - 2 PLC ± 0.25 [.010] 3 PLC ± - 4 PLC ± - ANGLES ± - FINISH		APVD S.FLICKINGER 04NOV2006	PRODUCT SPEC 108-1163-2	
MATERIAL SEE NOTE 1		APPLICATION SPEC 114-2048	SIZE A2	RESTRICTED TO -
SEE NOTE 1		WEIGHT -	CAGE CODE 00779	DRAWING NO C=5558503
SEE NOTE 1		CUSTOMER DRAWING		SCALE 4:1
		SHEET 1 of 1		REV C