

Distributed by:

JAMECO[®]
ELECTRONICS

www.Jameco.com ♦ 1-800-831-4242

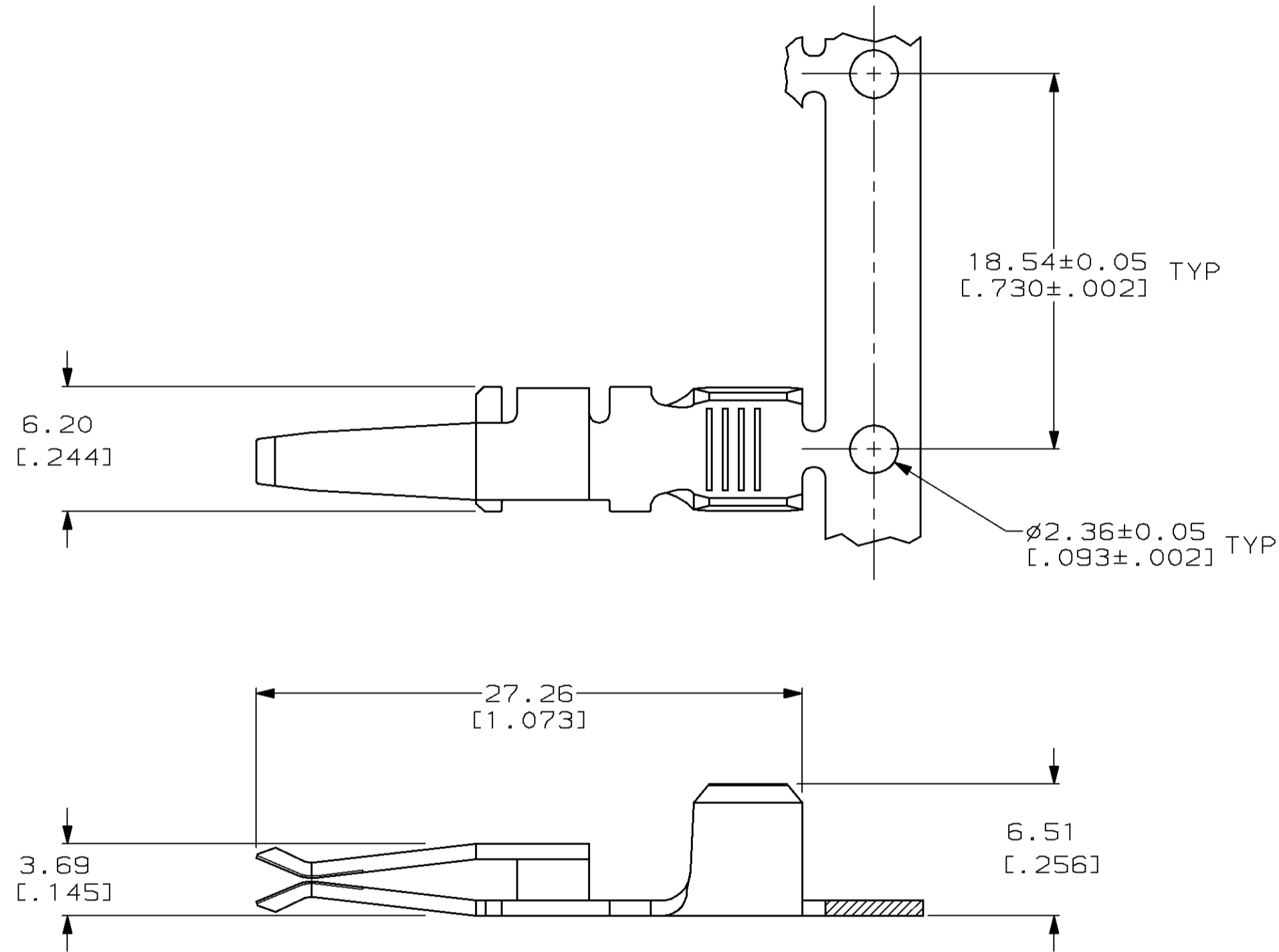
The content and copyrights of the attached
material are the property of its owner.

Jameco Part Number 754961

THIS DRAWING IS UNPUBLISHED. RELEASED FOR PUBLICATION
 BY AMP INCORPORATED. ALL RIGHTS RESERVED.

Loc		DIST		REVISIONS			
P	LTR	DESCRIPTION		DATE	DWN	APVD	
	B	REV; EC 0210-0674-95		10-25-95	LM/UTA		
	C	REV PER EC 0320-68-97		06 MAR 97	MB	MM	

- ① ALL DIMENSIONS SHOWN ARE MAXIMUM UNLESS OTHERWISE SPECIFIED.
- ② MATERIAL: 2.54µm [0.00100] MINIMUM TIN PLATED COPPER ALLOY, 0.74-0.79 [0.030±.001] THICK.
- 3. WIRE BARREL ACCEPTS ONE 10 OR 12 AWG STRANDED COPPER WIRE.
- ④ CONTACTS ON REEL SHALL BE CRIMPED USING APPLICATOR TOOL 567256.
- ⑤ LOOSE PIECE CONTACTS SHALL BE CRIMPED USING TOOLS AND DIE SETS LISTED BELOW.
 HAND TOOL: AMP PART NO. 69710
 PNEUMATIC TOOL: AMP PART NO. 69365
 DIE SET 10 AWG: AMP PART NO. 58491-1
 DIE SET 12 AWG: AMP PART NO. 58490-1



2000/REEL	④	556880-2
LOOSE PIECE 200/BOX	⑤	556880-1
DESCRIPTION		PART NO

THIS DRAWING IS A CONTROLLED DOCUMENT FOR AMP INCORPORATED. IT IS SUBJECT TO CHANGE AND THE CONTROLLING ENGINEERING ORGANIZATION SHOULD BE CONTACTED FOR THE LATEST REVISION.		DWN D. STRAUSSER 5-30-91	AMP Incorporated Harrisburg, PA 17105-3608	
DIMENSIONS: mm [INCHES]		CHK B. FOX 8-23-91	NAME	
TOLERANCES UNLESS OTHERWISE SPECIFIED:		APVD M. MILLER 8-26-91	PRODUCT SPEC	
0 PLC ±	①	108-1349		
1 PLC ±		APPLICATION SPEC		
2 PLC ±		114-6044		
3 PLC ±		WEIGHT		
4 PLC ±		-		
ANGLES ±		SIZE	CAGE CODE	DRAWING NO
FINISH	②	A2	00779	③-556880
MATERIAL	②	CUSTOMER DRAWING		
		SCALE	SHEET	REV
		4:1	1 OF 1	C