

5569257-1 Product Details

[Share](#) [Print](#) [Email](#)




5569257-1

TE Internal Number: 5569257-1

 **Active**

 [View 3D PDF](#)

PCB Mounted Jacks - Single Port, Multi-port and Stacked

 Always EU RoHS/ELV Compliant
(Statement of Compliance)

Product Highlights:

- Connector
- Preloaded
- Stacked Port Configuration
- 2 x 4 Jack Configuration
- Jack Type = RJ45

[View all Features](#)

Quick Links

- ▶ [Pricing & Availability](#)
- ▶ [Search for Tooling](#)
- ▶ [Product Feature Selector](#)
- ▶ [Contact Us About This Product](#)

[Add to My Part List](#)

[Request Sample](#)

[Find Similar Products](#)

[Buy Product](#)

Documentation & Additional Information

Product Drawings:

- [STACKED MODULAR JACK ASSEMBLY, 2 X 4 PORT, 8 POSITIO...](#) (PDF, English)

Catalog Pages/Data Sheets:

- [82066 Modular Jacks and MRJ21 Product catalog - Stac...](#) (PDF, English)

Product Specifications:

- [High Performance Modular Plugs & Jacks, PCB Mounted](#) (PDF, English)

Application Specifications:

- [Modular Jacks](#) (PDF, English)

Instruction Sheets:

- None Available

CAD Files: (CAD Format & Compression Information)

- [2D Drawing](#) (DXF, Version A1)
- [3D Model](#) (IGES, Version A1)
- [3D Model](#) (STEP, Version A1)

[List all Documents](#)

Additional Information:

- [Product Line Information](#)

Related Products:

- [Tooling](#)

Product Features (Please use the Product Drawing for all design activity)

Product Type Features:

- Product Type = Connector
- Jack Type = RJ45
- PCB Mounting Orientation = Side Entry (Right Angle)
- PCB Mount Style = Through Hole
- Performance Category = Cat 5
- LED = Without
- Grounding Options = PCB Ground
- Panel Stops = Without
- Keyed = No
- Profile = Low
- Color = Black

Mechanical Attachment:

- Panel Mount Retention = Without

Contact Features:

- Solder Tail Contact Plating = Tin over Nickel
- Contact Plating, Mating Area, Material = Gold (50)
- Contact Base Material = Phosphor Bronze
- PCB ACTION PIN Grounds = Without

Housing Features:

- Housing Material = PCT GF
- Housing Color = Black
- UL Flammability Rating = UL 94V-0

Configuration Features:

- Preloaded = Yes
- Port Configuration = Stacked
- Jack Configuration = 2 x 4
- Number of Positions = 8

Termination Features:

- [Termination Method to PC Board](#) = Solder
- Grounding Clips = Without

Dimensions:

- [PCB Tail Length \(mm \[in\]\)](#) = 3.56 [0.140]
- PCB Thickness, Recommended (mm [in]) = 1.57 [0.062]

Body Features:

- [Inverted Jack Face](#) = No
- Shield Plating = Tin over Copper
- Shield Material = .010 [0.25] Copper Alloy
- Grounding Tab Plating = Tin over Copper

- [Shielded](#) = Yes
- Number of Contacts Loaded = 8
- Number of PCB Ground Tabs = 9
- Number of Terminals Per Port = 8

Industry Standards:

- [RoHS/ELV Compliance](#) = RoHS compliant, ELV compliant
- [Lead Free Solder Processes](#) = Wave solder capable to 260°C, Wave solder capable to 240°C, Wave solder capable to 265°C
- RoHS/ELV Compliance History = Always was RoHS compliant

Product Availability:

- Region = Asia, North America

Other:

- Brand = AMP

Corporate Information

[About TE](#)
[Investors](#)
[News Room](#)
[Supplier Portal](#)
[Careers](#)
[Terms & Conditions](#)
[Privacy Policy](#)

Quick Links

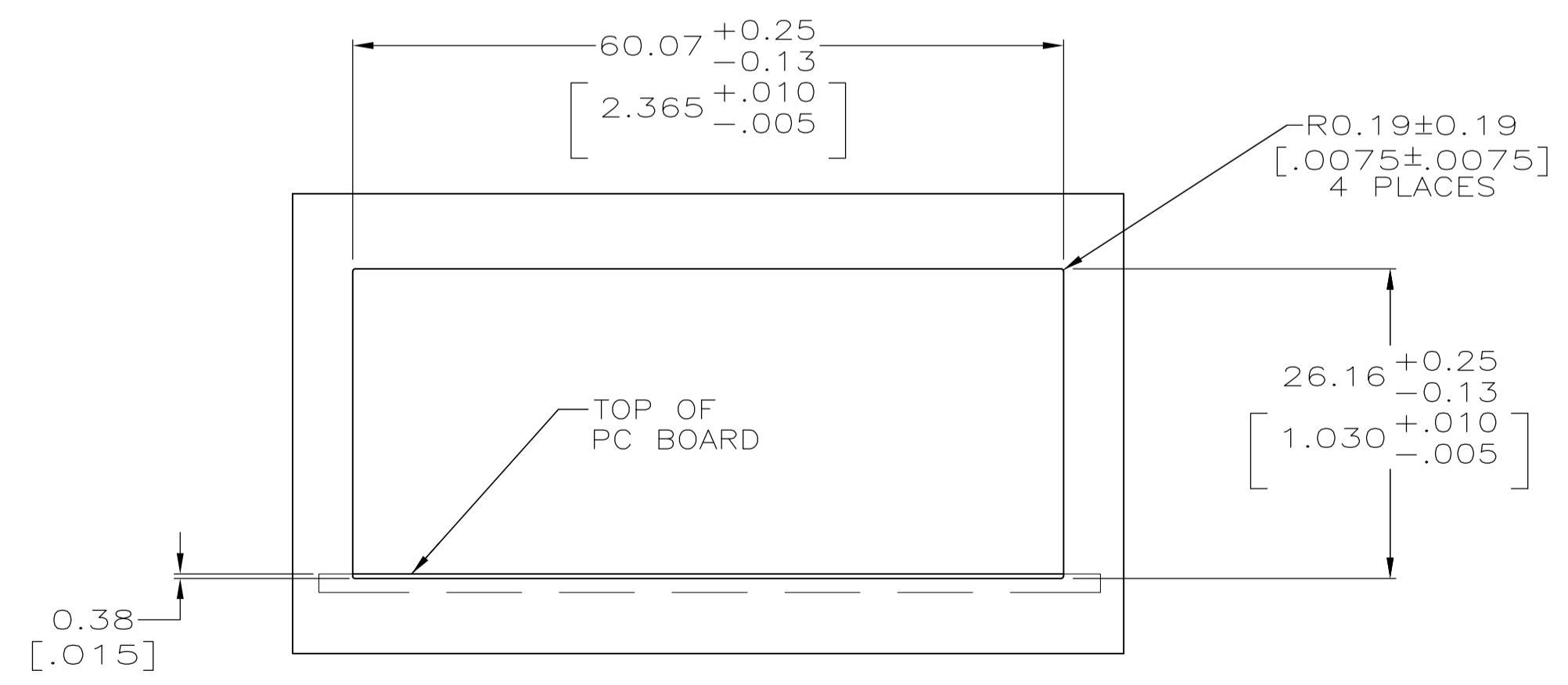
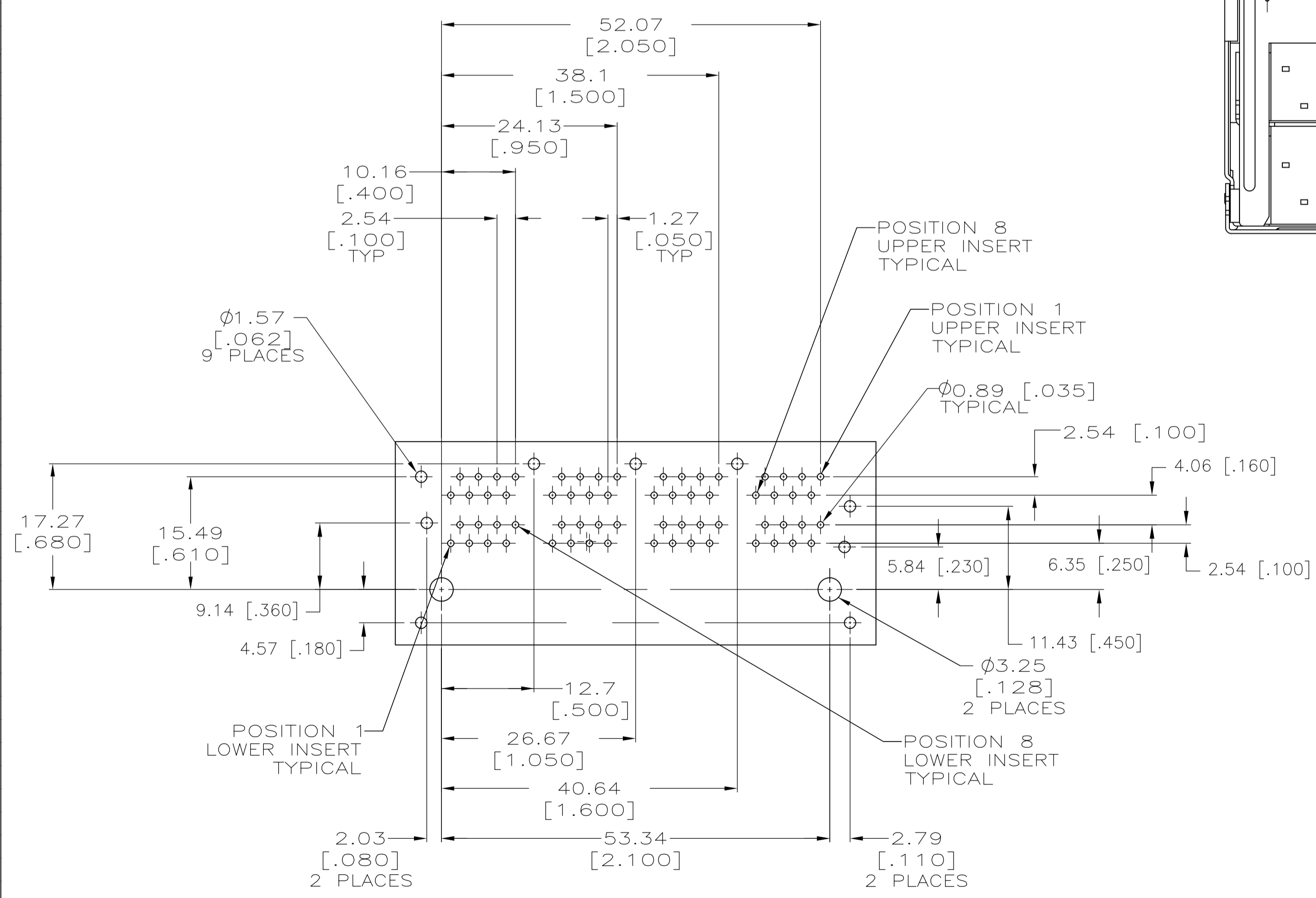
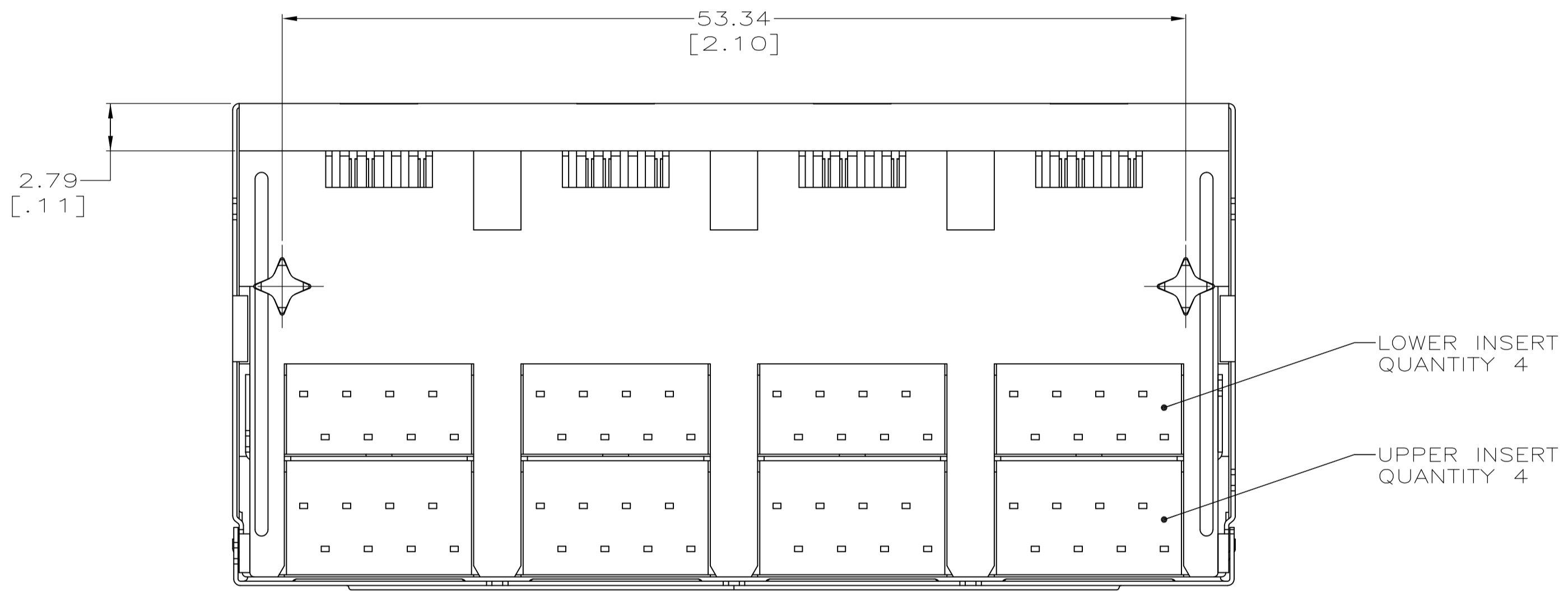
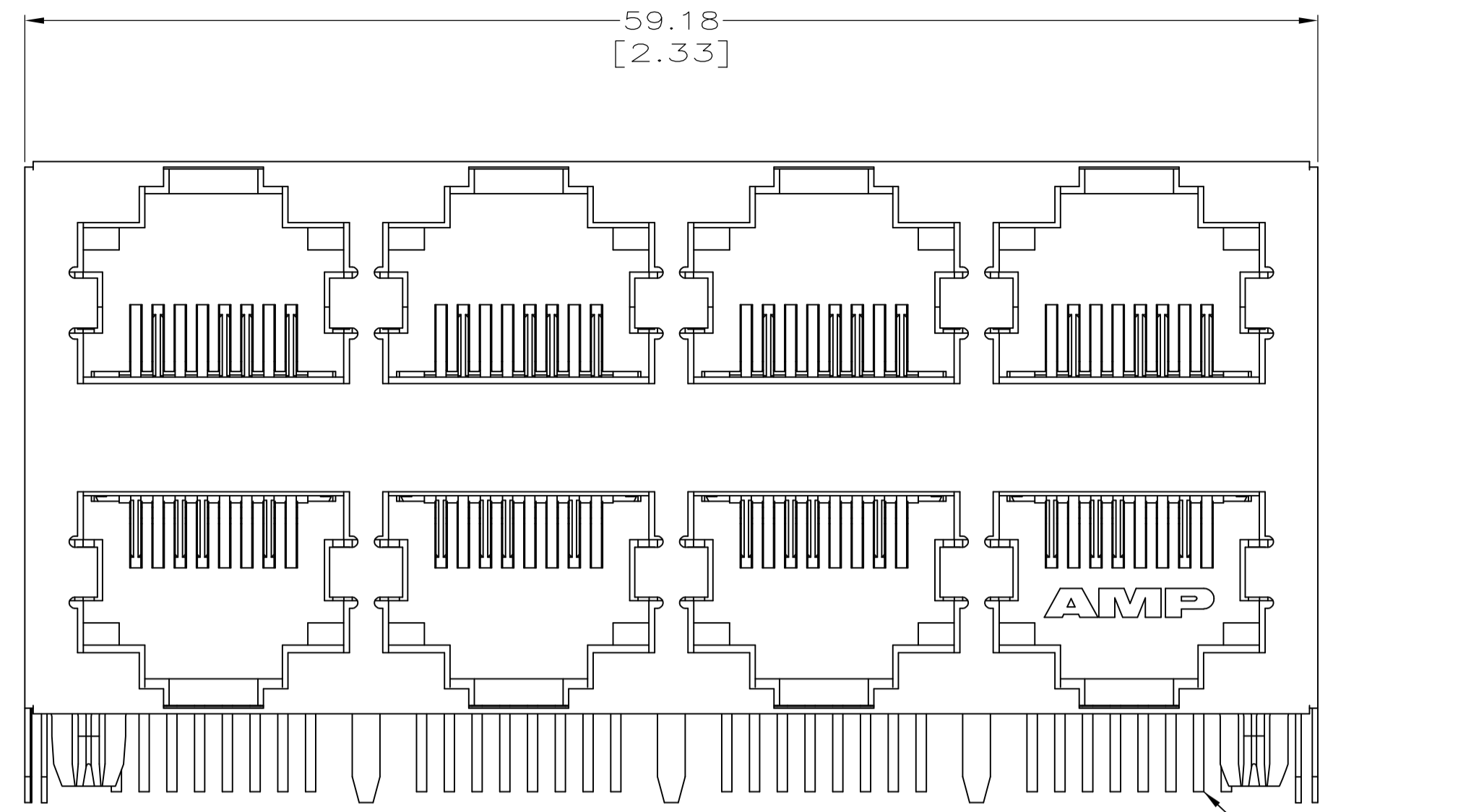
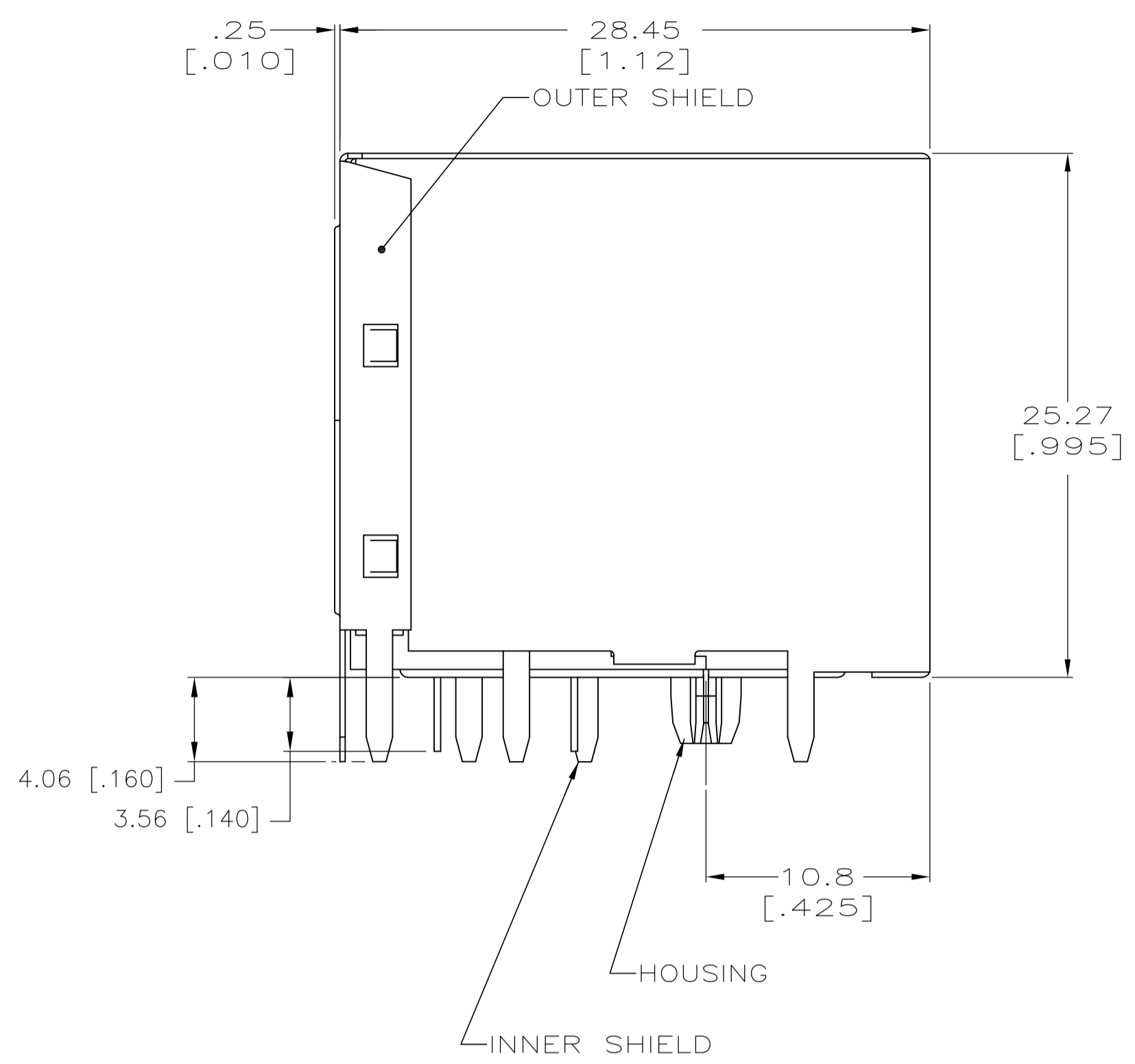
[Distributor Inventory](#)
[Product Cross Reference](#)
[Documents & Drawings](#)
[Product Compliance Support Center](#)
[Site Map](#)

Customer Support

[Email or Chat With Us](#)
[Find a Phone Number](#)
[Knowledge Base](#)
[Manage Your Account](#)

Keep Me Informed

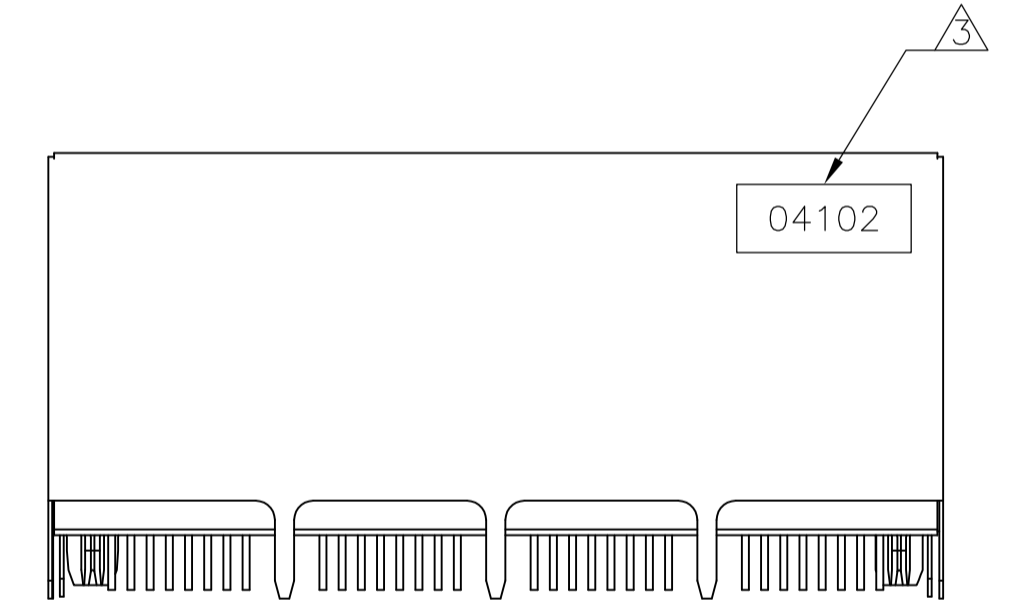
LOC		DIST		REVISIONS			
F	LTR	DESCRIPTION	DATE	DWN	APVD		
A1		REVISED ECR-08-031628	15JUN2005	AZ	SY		



△ MATERIAL:
 HOUSING - PCT POLYESTER, BLACK, UL94V-0.
 OVERMOLDED TERMINAL ARRAY - PBT, BROWN.
 TERMINALS - 0.33 [.013] THICK PHOS BRONZE PLATED WITH 1.27um [.000050] MIN THICK HARD GOLD IN LOCALIZED AREA AND 3.81um [.000150] MIN THICK MATTE TIN IN SOLDER AREA OVER 1.27um [.000050] MIN THICK NICKEL UNDERPLATE.
 SHIELDS - 0.25 [.010] THICK COPPER ALLOY PLATED WITH 1.27 um [.000050] MINIMUM NICKEL AND 2.03 um [.000080] MINIMUM HOT TIN DIP ON PCB GROUND TABS.

△ JACK CAVITY CONFORMS TO FCC RULES AND REGULATIONS, PART 68 SUBPART F.

△ DATE CODE LOCATED ON REAR OF PART APPROXIMATELY AS SHOWN:
 FIRST 2 DIGITS ARE LAST 2 DIGITS OF YEAR, SECOND 2 DIGITS ARE MANUFACTURING WORK WEEK, LAST DIGIT IS DAY OF WEEK, WITH SUNDAY = 1.



BACK VIEW SCALE 2:1

PC BOARD LAYOUT VIEWED FROM COMPONENT SIDE SCALE 2:1

SUGGESTED PANEL CUTOUT DIMENSIONS SCALE 2:1

5569257-1
 PART NUMBER

THIS DRAWING IS A CONTROLLED DOCUMENT.		DIN A. FERNANDEZ-DOCK5 04DEC08	Tyco Electronics Corporation Harrisburg, PA 17105-3608	
DIMENSIONS: mm [INCHES]		APVD S. FLICKINGER 15JUN2005	NAME STACKED MODULAR JACK ASSEMBLY, 2 X 4 PORT, 8 POSITION, SHIELDED, PRINTED CIRCUIT BOARD GROUND, CATEGORY 5	
TOLERANCES UNLESS OTHERWISE SPECIFIED: 0. PLC ± - 1. PLC ± - 2. PLC ± 0.25[.01] 3. PLC ± 0.13[.005] 4. PLC ANGLES ± -		PRODUCT SPEC 108-1163-2	APPLICATION SPEC 114-2048	
MATERIAL	FINISH	WEIGHT	SIZE A1	CAGE CODE 00779
CUSTOMER DRAWING		DRAWING NO. 5569257	SCALE 4:1	SHEET 1 OF 1