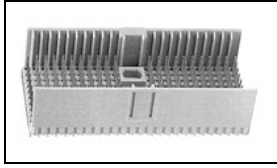


5646346-1 Product Details



5646346-1

TE Internal Number: 5646346-1



2mm Hard Metric PCB Mount Connectors (Z-PACK 2mm HM)

 Always EU RoHS/ELV Compliant (Statement of Compliance)

Product Highlights:

- Connector
- Connector Assembly
- Connector Style = Plug
- Type = Type D, 25 Column
- Interface Type = 2mm HM

Documentation & Additional Information

Product Drawings:

- [MALE ASSEMBLY, Z-PACK 2mm HM, TYPE D](#) (PDF, English)

Catalog Pages/Data Sheets:

- None Available

Product Specifications:

- [Connector, Z-PACK, 8 Row, 2mm HM](#) (PDF, English)

Application Specifications:

- [Z-PACK 2mm HM Interconnection System for Board-to-Bo...](#) (PDF, English)

Instruction Sheets:

- None Available

CAD Files: (CAD Format & Compression Information)

- [2D Drawing](#) (DXF, Version A)
- [3D Model](#) (IGES, Version A)
- [3D Model](#) (STEP, Version A)

Additional Information:

- [Product Line Information](#)

Related Products:

- [Tooling](#)
- [Mating Products \(1\)](#)

Product Features (Please use the Product Drawing for all design activity)

Product Type Features:

- Product Type = Connector
- Connector Type = Connector Assembly
- [PCB Mounting Orientation](#) = Vertical

Mechanical Attachment:

- [Board Mount](#) = Fixed Board
- Front Mating Level = Level 1

Electrical Characteristics:

- [Shielded](#) = No

Termination Features:

- [Interface Type](#) = 2mm HM
- Termination End Plating = Tin over Nickel

Dimensions:

- [Module Length](#) (mm [in]) = 50.00 [1.968]

Body Features:

- Type = Type D, 25 Column

Contact Features:

- Contact Configuration = ACTION PIN Post, Signal
- [Feedthrough Post Length](#) (mm [in]) = 3.70 [0.145]
- CompactPCI = No
- [Contact Plating, Mating Area, Material](#) = Performance-Based
- [Grounding Contact](#) = Without
- Contact Style = Short Tail
- Contact Base Material = Phosphor Bronze

Housing Features:

- Connector Style = Plug
- [Mating Alignment](#) = With
- [Mating Alignment Type](#) = Multi-Purpose Center
- Housing Color = Gray
- Housing Material = Polyester GF
- UL Flammability Rating = UL 94V-0

Configuration Features:

- [Number of Rows](#) = 8
- [Number of Positions](#) = 176
- [Crosstalk Version](#) = Standard
- Rows Loaded = F, E, D, C, B, G, A, H

Industry Standards:

- [RoHS/ELV Compliance](#) = RoHS compliant, ELV compliant
- [Lead Free Solder Processes](#) = Not relevant for lead free process
- RoHS/ELV Compliance History = Always was RoHS compliant

Packaging Features:

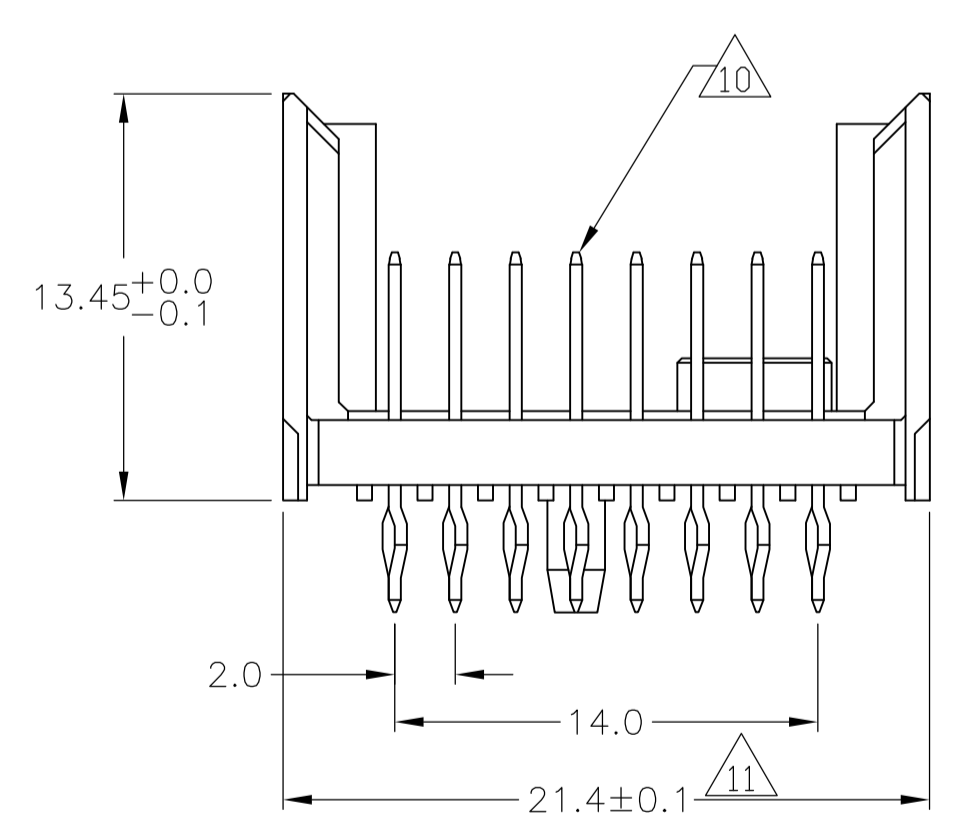
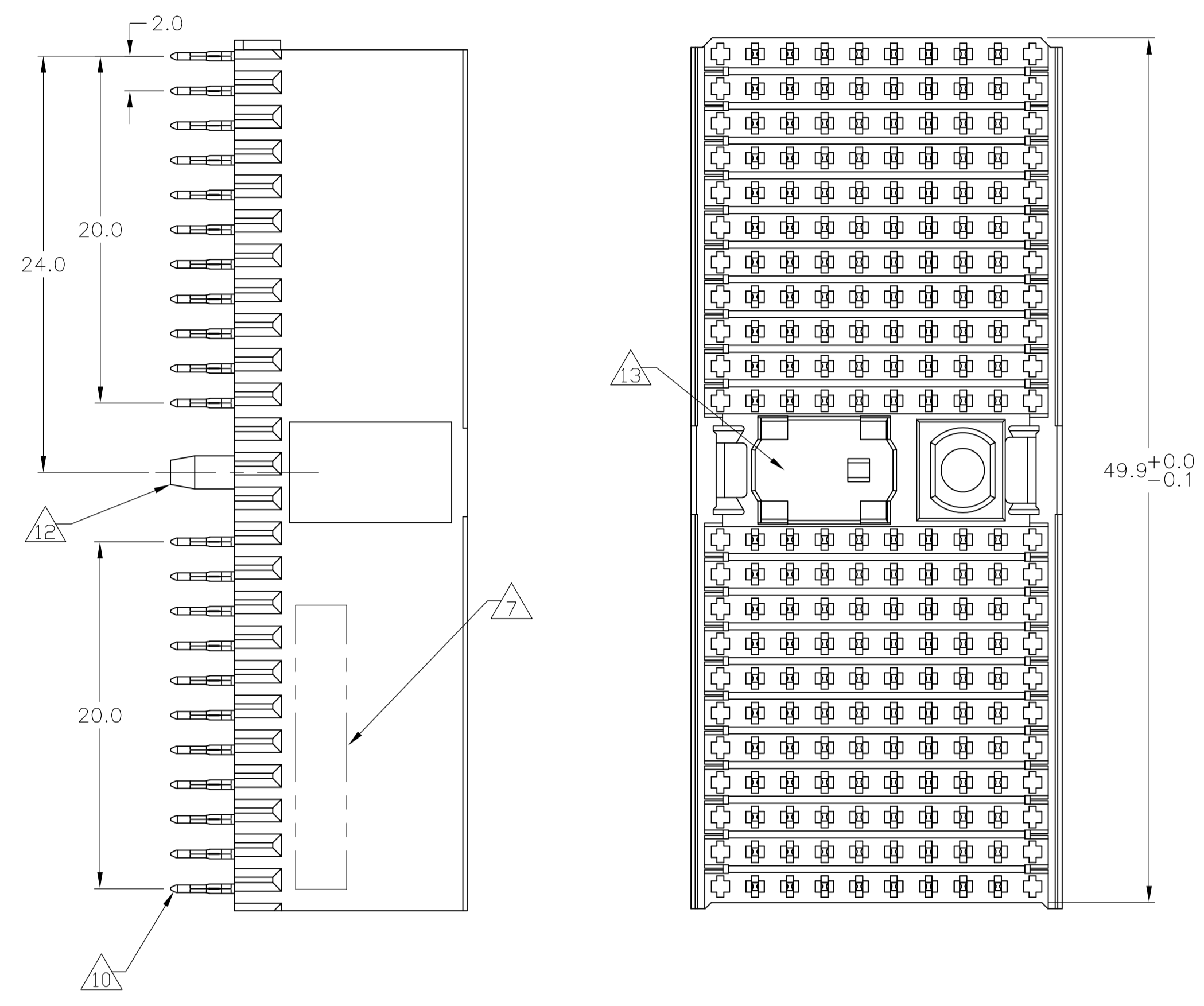
- Packaging Quantity = 11

Other:

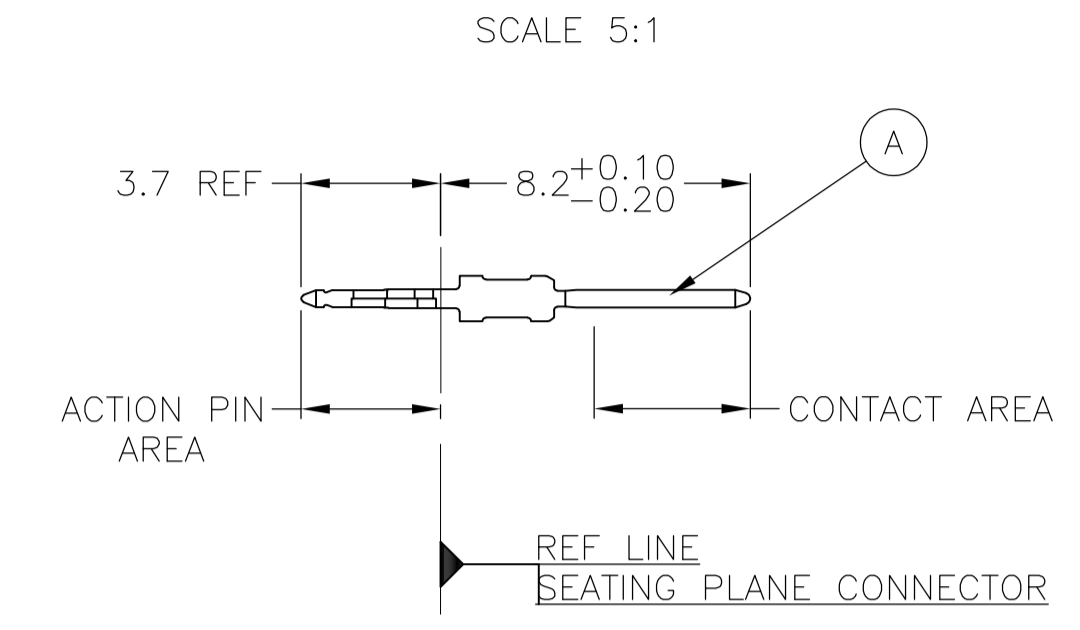
- Brand = TE Connectivity

LOC		DIST		REVISIONS			
AD	00	REV	PER	DESCRIPTION	DATE	DWN	APVD
C		REV PER	ECR-11-003871		22FEB11	RC	CW

CONNECTOR ASSEMBLY EXAMPLARY LOADED



CONTACT DIMENSIONS

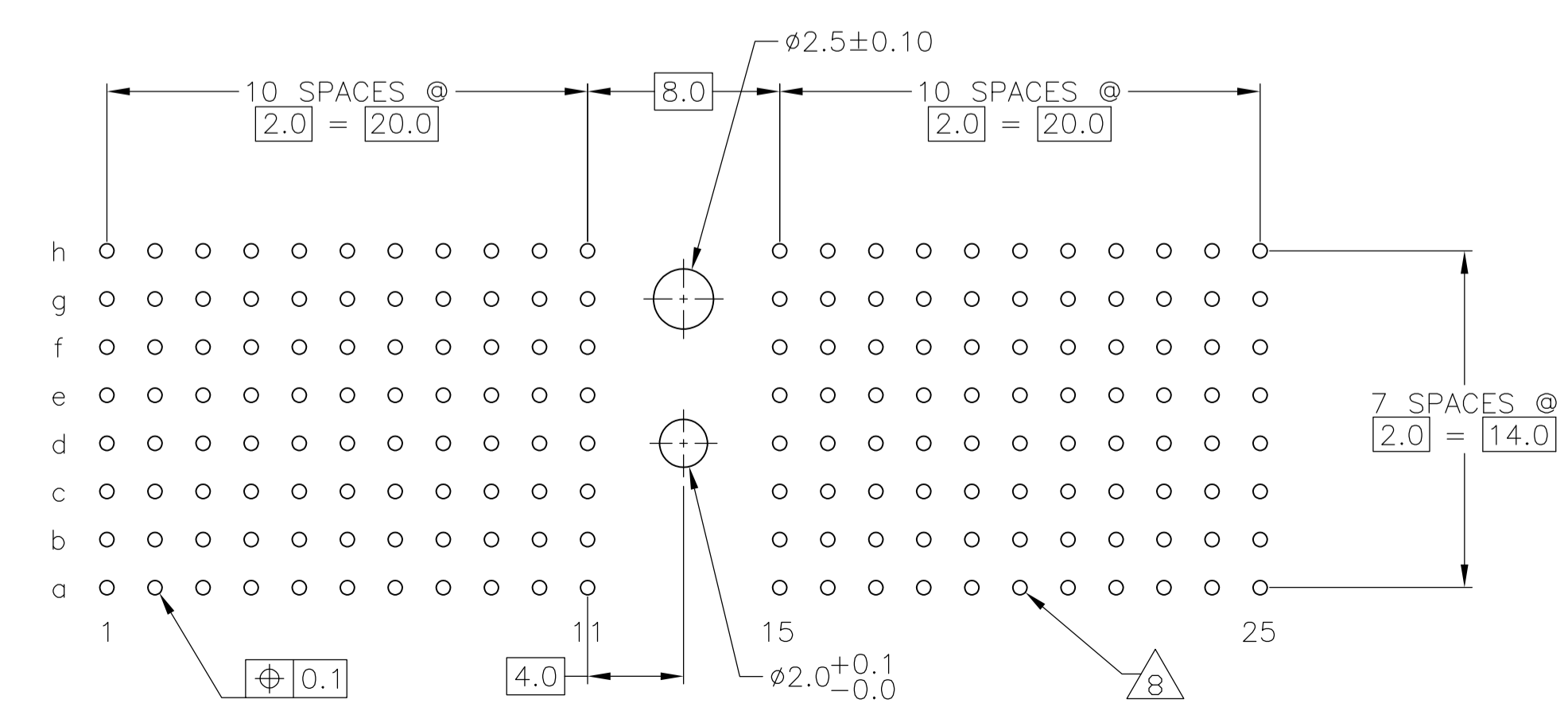


CONTACT LAYOUT

	z	a	b	c	d	e	f	g	h	i
1	A	A	A	A	A	A	A	A		
2	A	A	A	A	A	A	A	A		
3	A	A	A	A	A	A	A	A		
4	A	A	A	A	A	A	A	A		
5	A	A	A	A	A	A	A	A		
6	A	A	A	A	A	A	A	A		
7	A	A	A	A	A	A	A	A		
8	A	A	A	A	A	A	A	A		
9	A	A	A	A	A	A	A	A		
10	A	A	A	A	A	A	A	A		
11	A	A	A	A	A	A	A	A		
MULTI PURPOSE CENTER										
15	A	A	A	A	A	A	A	A		
16	A	A	A	A	A	A	A	A		
17	A	A	A	A	A	A	A	A		
18	A	A	A	A	A	A	A	A		
19	A	A	A	A	A	A	A	A		
20	A	A	A	A	A	A	A	A		
21	A	A	A	A	A	A	A	A		
22	A	A	A	A	A	A	A	A		
23	A	A	A	A	A	A	A	A		
24	A	A	A	A	A	A	A	A		
25	A	A	A	A	A	A	A	A		

RECOMMENDED PCB-HOLE LAYOUT COMPONENT SIDE SHOWN

PLATED THRU HOLES PARAMETERS REFERENCE APPLICATION SPECIFICATION



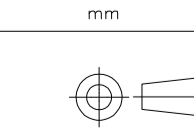
2	3	16	3-5646346-0
2	6	14	1-5646346-9
2	5	14	5646346-9
2	4		-5646346-4-
2	3		5646346-1
FINISH			PART NUMBER

THIS DRAWING IS A CONTROLLED DOCUMENT.

DIMENSIONS:	TOLERANCES UNLESS OTHERWISE SPECIFIED:	DWN: B. CARBO 07JAN05	Tyco Electronics Corporation
mm	0-PLG ±	CHK: G. SKIPPER 07JAN05	Harrisburg, Pa 17105-3608
	1-PLG ± 0.1	NAME: G. SKIPPER 07JAN05	MALE ASSEMBLY, Z-PACK 2mm HM, TYPE D
	2-PLG ± ±0.2	PRODUCT SPEC: 108-1622	
	3-PLG ±	APPLICATION SPEC: 114-19029	
	4-PLG ±	SIZE: A1	RESTRICTED TO: -
	ANGLES ±	WEIGHT: -	CUSTOMER DRAWING
	FINISH: SEE TABLE	SCALE: 4:1	SHEET: 1 OF 2

LOC		DIST		REVISIONS				
P	LTR	DESCRIPTION	DATE	DN	APVD			
AD	00	SEE SHEET 1						

- 1 MATERIAL:
CONTACT: PHOSPHOR BRONZE.
HOUSING: GLASS-FILLED POLYESTER.
- 2 GENERAL PLATING SPECIFICATION: UNDERPLATING
(ENTIRE CONTACT): 1.27µm MIN NICKEL AND ACTION
PIN: 0.5µm MIN TIN.
FOR PLATING OF MATING SURFACES SEE APPLICABLE
SPECIFICATION REFERENCE FOR EACH DASH NUMBER.
- 3 CONFORMS TO ALL TESTING ACCORDING TO IEC 61076-4-101
PERFORMANCE LEVEL 2.
- 4 CONFORMS TO ALL TESTING ACCORDING TO IEC 61076-4-101
PERFORMANCE LEVEL 1.
- 5 CONNECTOR TESTED AND QUALIFIED AGAINST TELCORDIA GR-1217-CORE QUALITY LEVEL 3,
CENTRAL OFFICE APPLICATIONS.
- 6 CONNECTOR TESTED AND QUALIFIED AGAINST TELCORDIA GR-1217-CORE QUALITY LEVEL 3,
UNCONTROLLED ENVIROMENT APPLICATIONS.
- 7 CONNECTOR MARKED WITH PART NUMBER AND DATE CODE.
ADDITIONAL CHARACTERS OR MARKINGS, AS WELL AS THE LOCATION OF THE MARKINGS,
MAY BE ADDED FOR TRACEABILITY BASED UPON MANUFACTURERS DISCRETION.
- 8 PLATED-THROUGH HOLES AT 2x2mm SQUARE GRID
PATTERN DEFINED BY CONTACT LAYOUT.
- 9 FOR ACTUAL PIN LOADING SEE "CONTACT LAYOUT".
- 10 FOR ACTUAL PIN DIMENSIONS SEE "CONTACT DIMENSIONS".
- 11 TO BE MEASURED AT BOTTOM OF SHROUD.
- 12 POLARIZATION FEATURE.
- 13 AREA RESERVED FOR KEYING PART (BASIC P/N 100525)
- 14 CONNECTOR LUBRICATED WITH BELCORE APPROVED LUBRICANT,
TECHNICAL REFERENCE: TR-NWT-001217 ISSUE 1, SEP 1992.
- 15 OBSOLETE PARTS: OBSOLETE CIS STREAMLINING PER D.RENAUD/D.SINISI
- 16 0.76µm MIN GOLD PLATING ON MATING SURFACES

THIS DRAWING IS A CONTROLLED DOCUMENT.		DIN B CARBO 07JAN05		Tyco Electronics Corporation Harrisburg, Pa 17105-3608	
DIMENSIONS: mm		TOLERANCES UNLESS OTHERWISE SPECIFIED: ±0.2		Tyco Electronics	
		0-PLG ± 1-PLG ±0.1 2-PLG ± 3-PLG ± 4-PLG ± ANGLES ±1°		G.SKIPPER 07JAN05 G.SKIPPER 07JAN05 NAME MALE ASSEMBLY, Z-PACK 2mm HM, TYPE D	
MATERIAL SEE SHEET 1		FINISH SEE SHEET 1		PRODUCT SPEC 108-1622 APPLICATION SPEC 114-19029	
		WEIGHT -		SIZE CAGE CODE DRAWING NO A1 00779 C=5646346	
		CUSTOMER DRAWING		RESTRICTED TO SCALE 4:1 SHEET 2 OF 2 REV C	