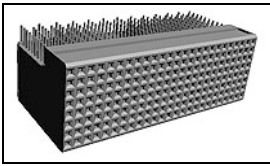


5646445-1 Product Details

[Share](#) [Print](#) [Email](#)



5646445-1

TE Internal Number: 5646445-1

Active

View 3D PDF

2mm Hard Metric PCB Mount Connectors (Z-PACK 2mm HM)

Always EU RoHS/ELV Compliant (Statement of Compliance)

Product Highlights:

- Connector
- Connector Assembly
- Connector Style = Receptacle
- Type = Type E
- Interface Type = 2mm HM

[View all Features](#)

Quick Links

- ▶ [Pricing & Availability](#)
- ▶ [Search for Tooling](#)
- ▶ [View Mating Products \(2\)](#)
- ▶ [Product Feature Selector](#)
- ▶ [Contact Us About This Product](#)

[Add to My Part List](#) [Request Sample](#) [Find Similar Products](#) [Buy Product](#)

Documentation & Additional Information

Product Drawings:

- [RECEPTACLE ASSEMBLY, 200 POSITION, TYPE E, 8 ROW, W/...](#) (PDF, English)

Catalog Pages/Data Sheets:

- None Available

Product Specifications:

- [Connector, Z-PACK, 8 Row, 2mm HM](#) (PDF, English)

Application Specifications:

- [Z-PACK 2mm HM Interconnection System for Board-to-Bo...](#) (PDF, English)

Instruction Sheets:

- None Available

CAD Files: (CAD Format & Compression Information)

- [2D Drawing](#) (DXF, Version A)
- [3D Model](#) (IGES, Version A)
- [3D Model](#) (STEP, Version A)

[List all Documents](#)

Additional Information:

- [Product Line Information](#)

Related Products:

- [Tooling](#)
- [Mating Products \(2\)](#)

Product Features (Please use the Product Drawing for all design activity)

Product Type Features:

- Product Type = Connector
- Connector Type = Connector Assembly
- [PCB Mounting Orientation](#) = Right Angle

Mechanical Attachment:

- [Board Mount](#) = Free Board
- AMP Standard Option Number = 1

Termination Features:

- [Interface Type](#) = 2mm HM
- Termination End Plating = Tin over Nickel

Dimensions:

- Module Length (mm [in]) = 48.00 [1.891]

Body Features:

- Type = Type E

Contact Features:

- Contact Configuration = ACTION PIN Post, Signal
- [Feedthrough Post Length \(mm \[in\]\)](#) = 3.30 [0.130]
- [CompactPCI](#) = Yes
- [Contact Plating, Mating Area, Material](#) = Performance-Based
- [Grounding Contact](#) = Without
- Contact Base Material = Phosphor Bronze

Housing Features:

- Connector Style = Receptacle
- [Mating Alignment](#) = With
- [Mating Alignment Type](#) = Multi-Purpose Center
- Housing Color = Gray
- Housing Material = Polyester GF
- UL Flammability Rating = UL 94V-0

Configuration Features:

- [Number of Rows](#) = 8
- [Number of Positions](#) = 200
- [Crosstalk Version](#) = Standard
- [Shielded](#) = No
- Rows Loaded = D, E, F, C, H, A, G, B

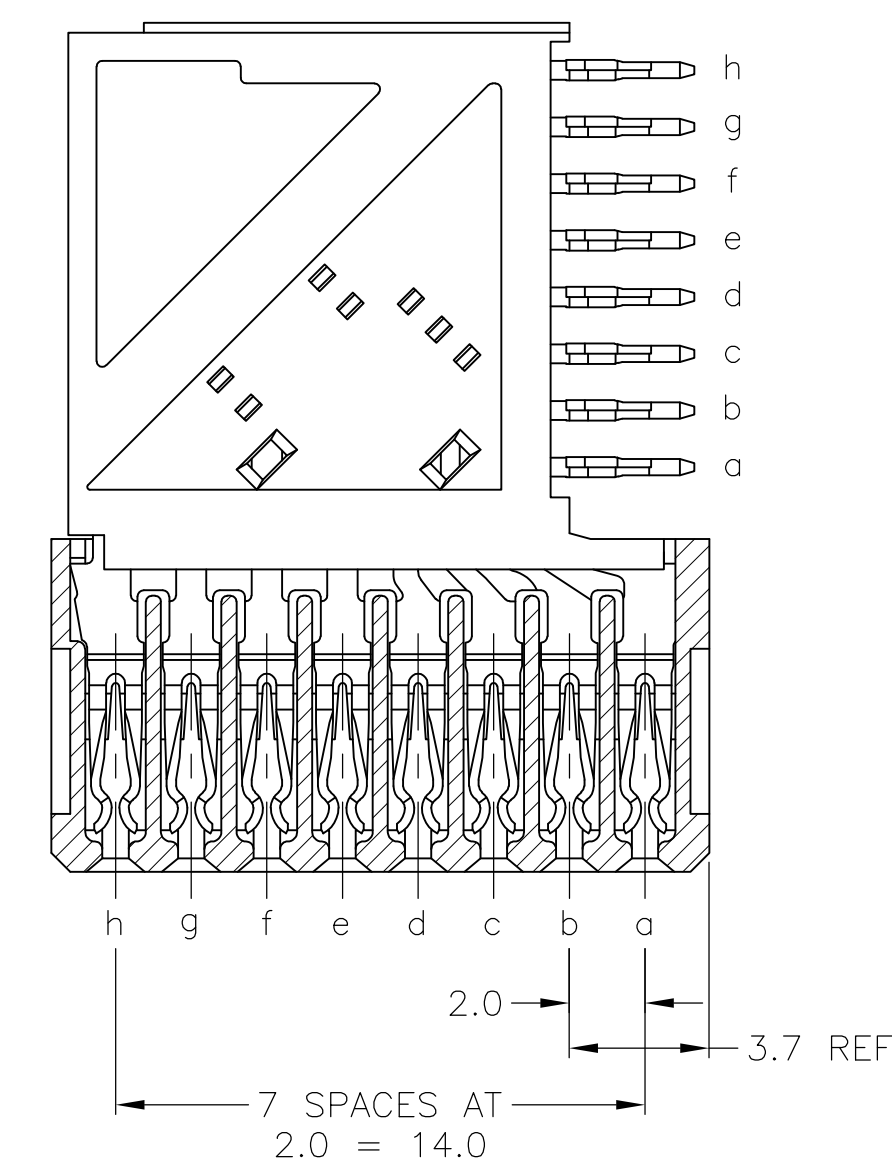
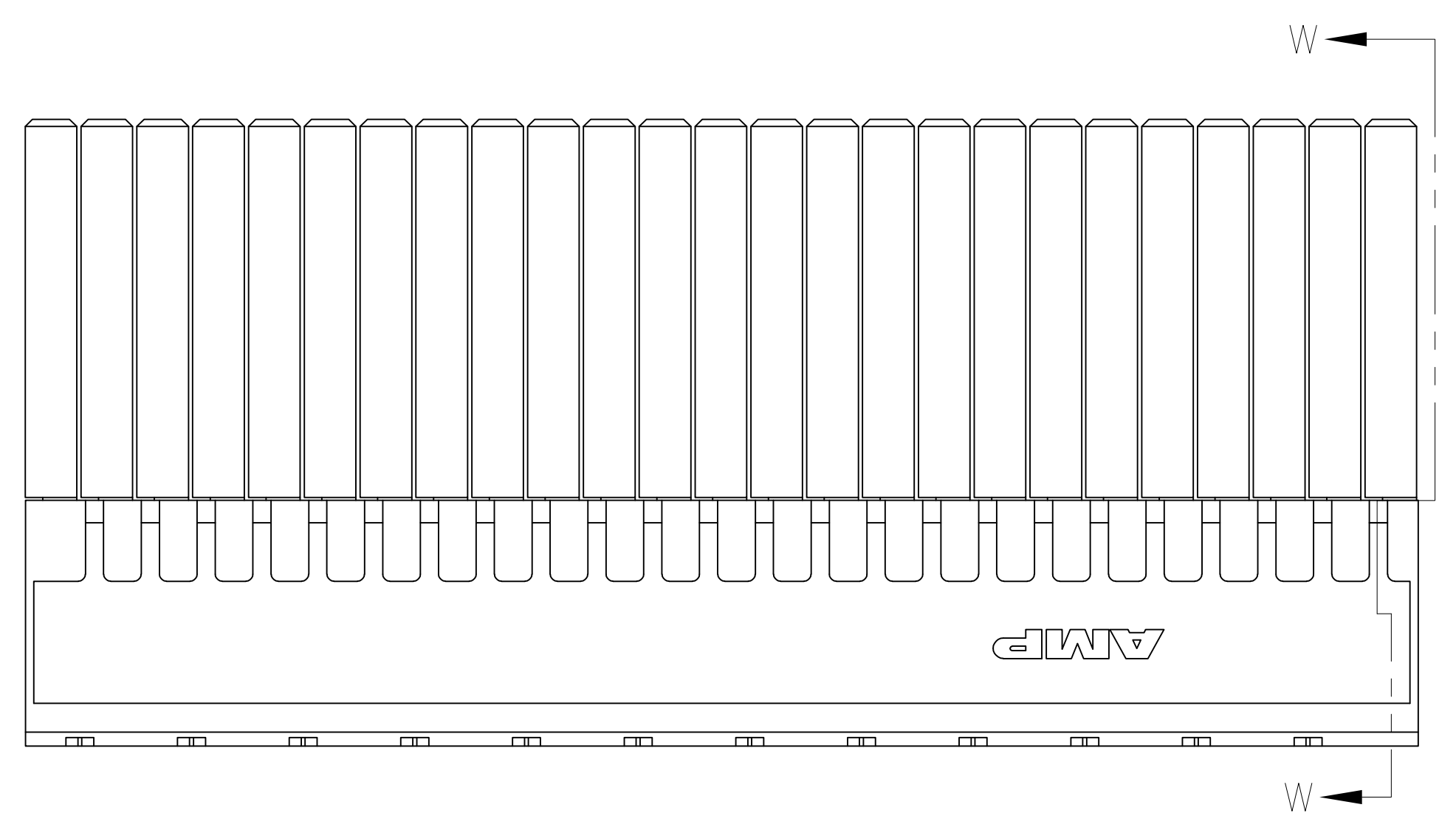
Industry Standards:

- [RoHS/ELV Compliance](#) = RoHS compliant, ELV compliant
- [Lead Free Solder Processes](#) = Not relevant for lead free process
- [RoHS/ELV Compliance History](#) = Always was RoHS compliant

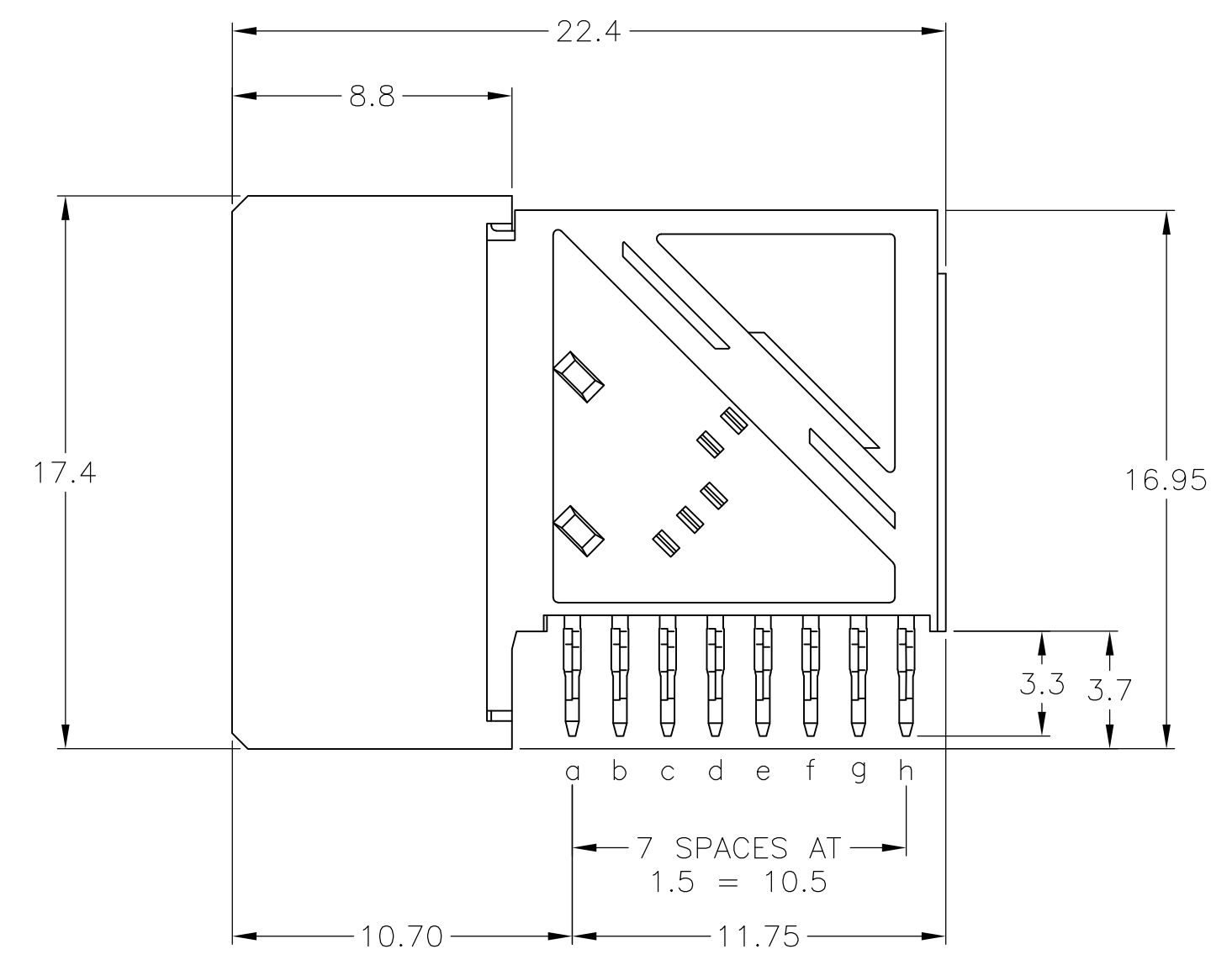
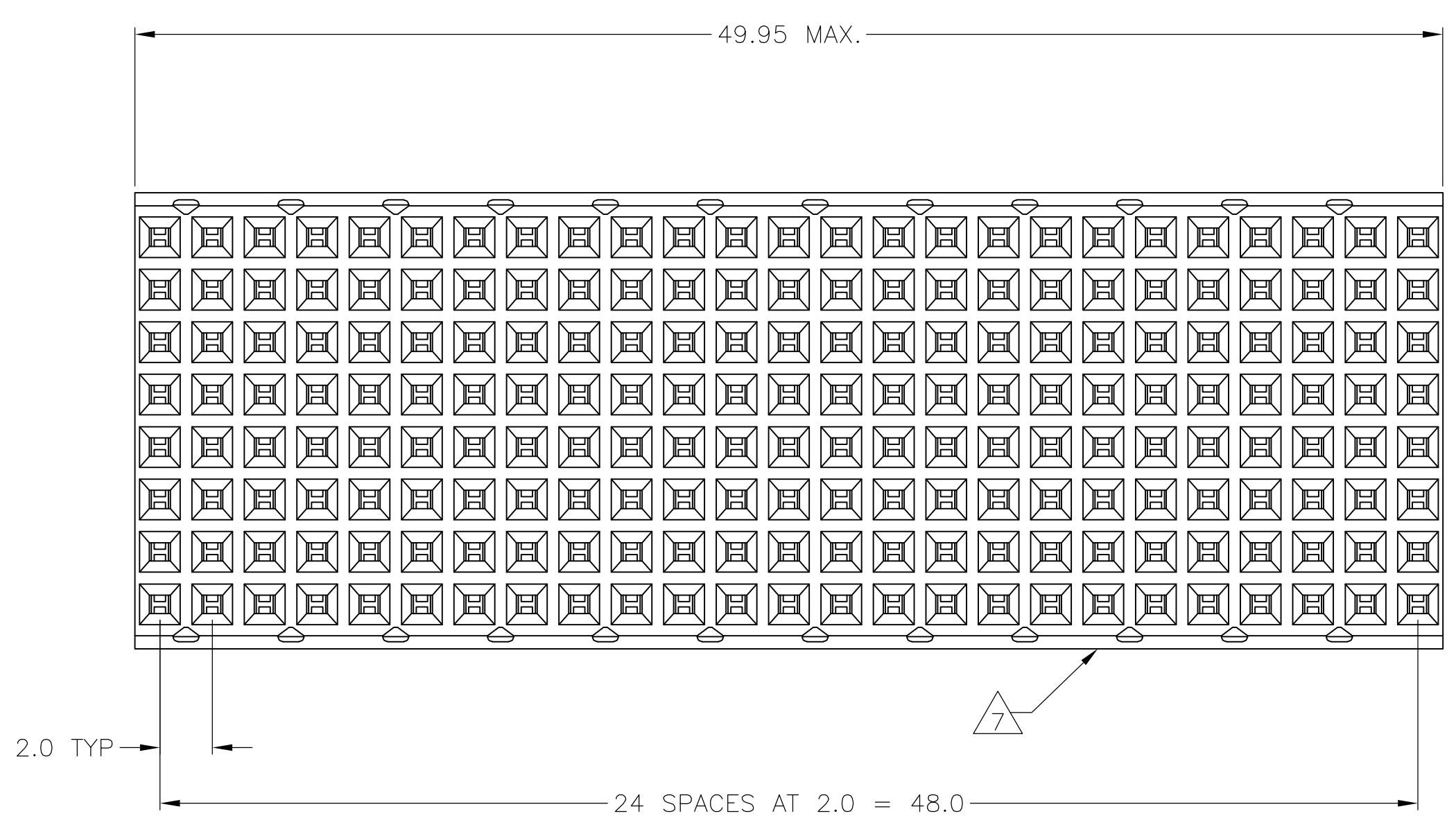
Other:

- Brand = AMP

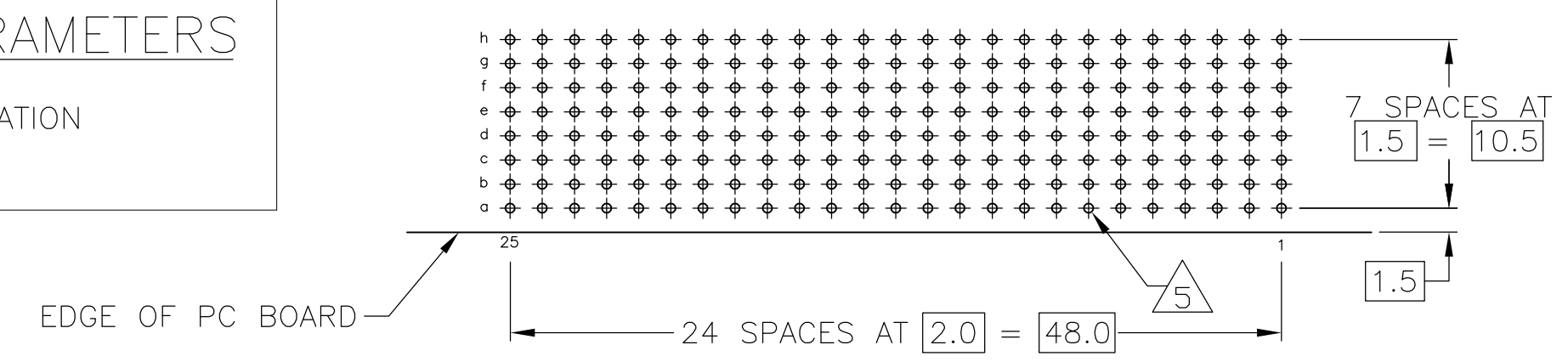
LOC		DIST		REVISIONS			
P	LTR	DESCRIPTION	DATE	DMN	APVD		
E		REVISED PER ECO-12-012363	05JUL2012	SY	AC		



SECTION W-W



PLATED THRU HOLES PARAMETERS
REFERENCE APPLICATION SPECIFICATION



RECOMMENDED PCB-HOLE LAYOUT
COMPONENT SIDE SHOWN
SCALE 2.5:1

- 1 MATERIAL:
CONTACT: PHOSPHOR BRONZE.
HOUSING: GLASS-FILLED POLYESTER.
- 2 GENERAL PLATING SPECIFICATION: UNDERPLATING
(ENTIRE CONTACT): 1.27μm MIN NICKEL AND ACTION
PIN: 0.5μm MIN TIN.
FOR PLATING OF MATING SURFACES SEE APPLICABLE
SPECIFICATION REFERENCE FOR EACH DASH NUMBER.
- 3 CONFORMS TO ALL TESTING ACCORDING TO IEC 61076-4-101
PERFORMANCE LEVEL 2.
- 4 CONNECTOR TESTED AND QUALIFIED AGAINST TELCORDIA GR-1217-CORE QUALITY LEVEL 3,
CENTRAL OFFICE APPLICATIONS.
- 5 PLATED THRU HOLES AT 2x1.5mm GRID. 200 TOTAL HOLES.
- 6 CONTACT AREA LUBRICATED WITH BELLCORE APPROVED LUBRICANT.
TECHNICAL REFERENCE: GR-1217-CORE, ISSUE 1, NOVEMBER 1995.
- 7 CONNECTOR PRINTED WITH PART NUMBER AND DATE CODE THIS SIDE.
ADDITIONAL CHARACTERS OR MARKINGS, AS WELL AS THE
LOCATION OF THE MARKINGS, MAY BE ADDED FOR TRACEABILITY BASED
UPON MANUFACTURERS DISCRETION.
- 8 0.76μm MIN GOLD PLATING AT MATING SURFACE.

1	2	3	4	5	6	7	8	3-5646445-0
1	2	3	4	5	6	7	8	5646445-9
1	2	3	4	5	6	7	8	5646445-1
FINISH								PART NUMBER

THIS DRAWING IS A CONTROLLED DOCUMENT.

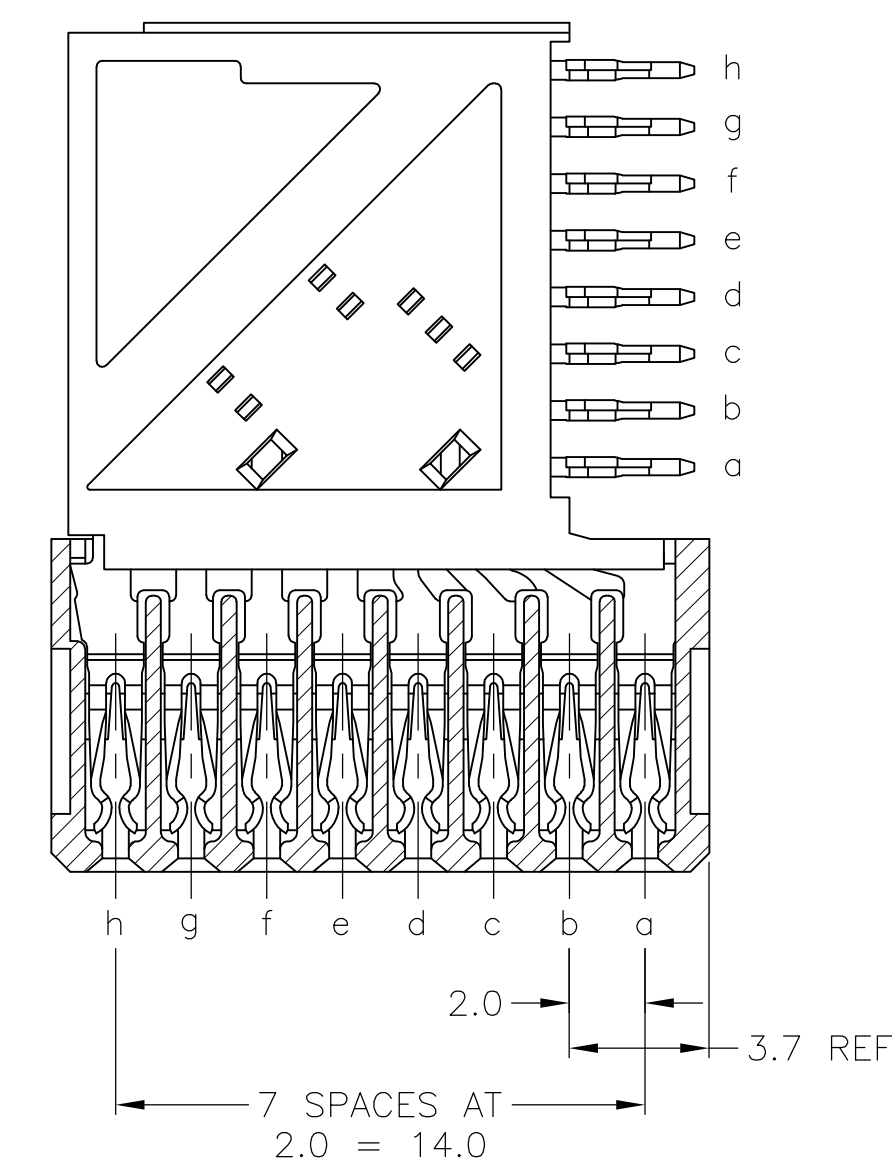
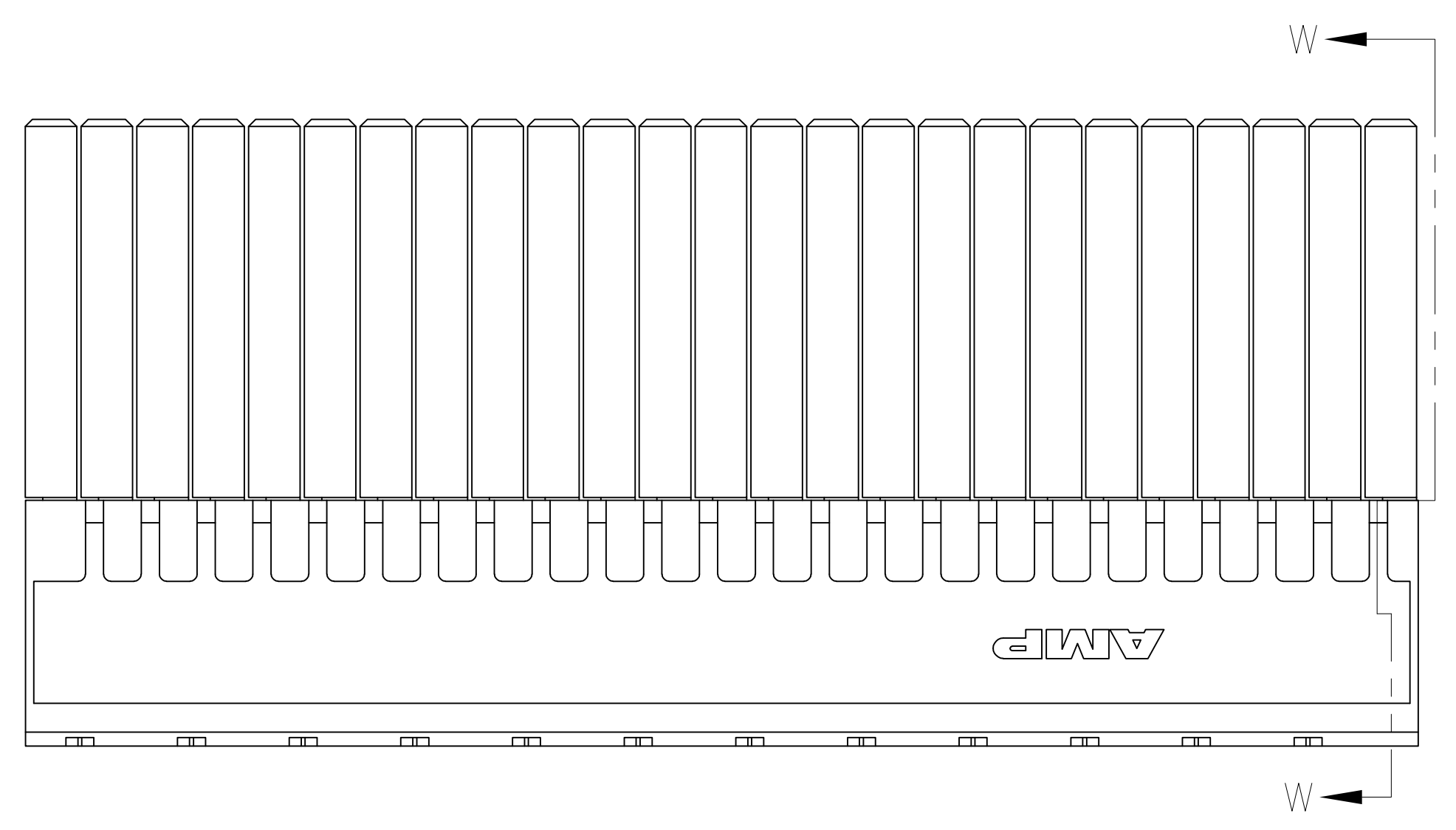
DIMENSIONS:	TOLERANCES UNLESS OTHERWISE SPECIFIED:	DIN B. CARBO	08DEC04
mm	0-PLC ±	CHK G. SKIPPER	08DEC04
	1-PLC ±0.1	APVD G. SKIPPER	08DEC04
	2-PLC ±0.05 ±0.2	PRODUCT SPEC	
	3-PLC ±0.05 ±0.2	APPLICATION SPEC	
	4-PLC ±		
	ANGLES ±		
MATERIAL	FINISH	WEIGHT	RESTRICTED TO
1	SEE TABLE	A1 00779 C=5646445	—

STE TE Connectivity

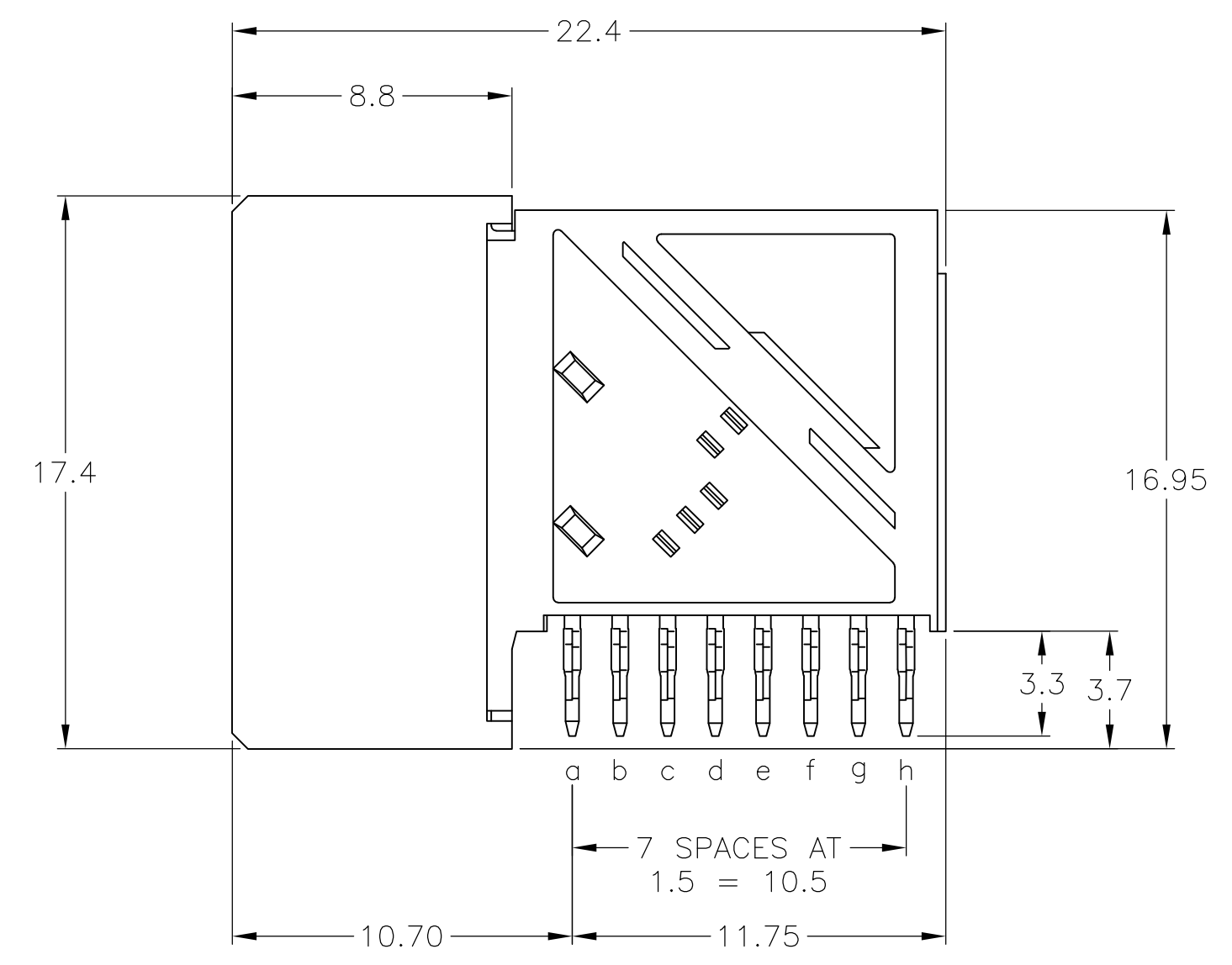
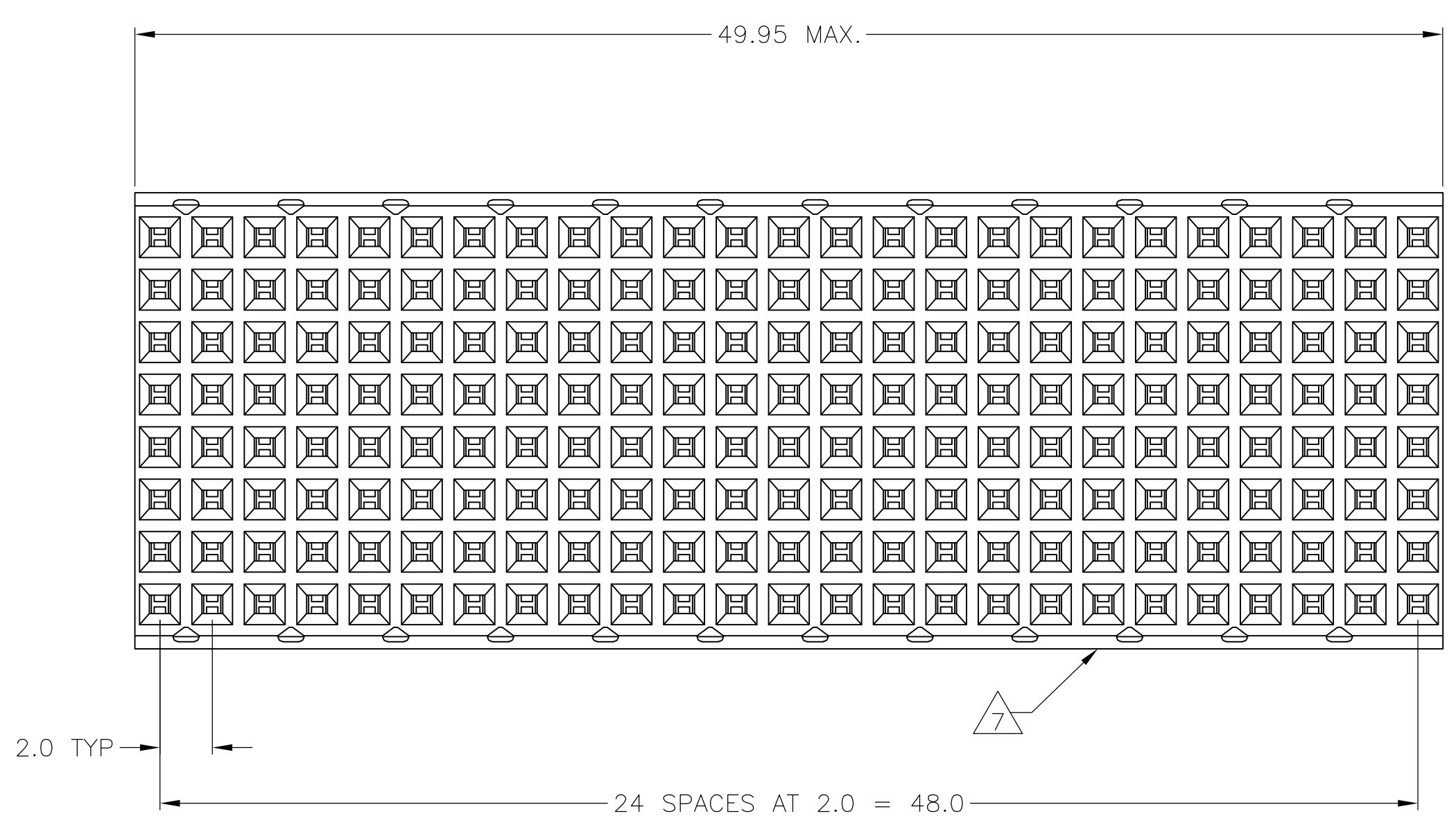
RECEPTACLE ASSEMBLY, 200 POSITION, TYPE E,
8 ROW, W/TWISTED TULIP CONTACTS,
Z-PACK 2mm HM

CUSTOMER DRAWING SCALE 5:1 SHEET 1 OF 1 REV E

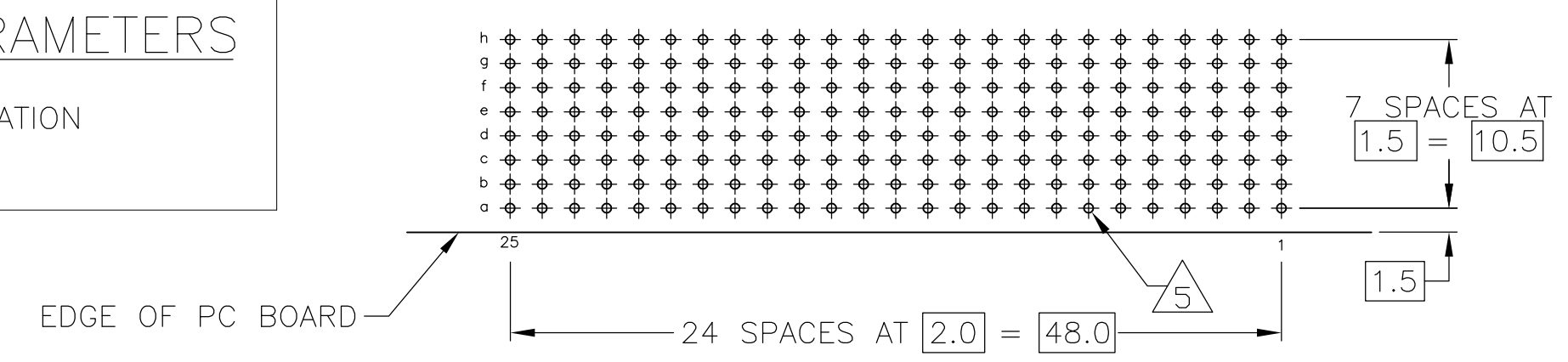
LOC		DIST		REVISIONS			
P	LTR	DESCRIPTION	DATE	DMN	APVD		
E		REVISED PER ECO-12-012363	05JUL2012	SY	AC		



SECTION W-W



PLATED THRU HOLES PARAMETERS
REFERENCE APPLICATION SPECIFICATION



RECOMMENDED PCB-HOLE LAYOUT
COMPONENT SIDE SHOWN
SCALE 2.5:1

- 1 MATERIAL:
CONTACT: PHOSPHOR BRONZE.
HOUSING: GLASS-FILLED POLYESTER.
- 2 GENERAL PLATING SPECIFICATION: UNDERPLATING
(ENTIRE CONTACT): 1.27μm MIN NICKEL AND ACTION
PIN: 0.5μm MIN TIN.
FOR PLATING OF MATING SURFACES SEE APPLICABLE
SPECIFICATION REFERENCE FOR EACH DASH NUMBER.
- 3 CONFORMS TO ALL TESTING ACCORDING TO IEC 61076-4-101
PERFORMANCE LEVEL 2.
- 4 CONNECTOR TESTED AND QUALIFIED AGAINST TELCORDIA GR-1217-CORE QUALITY LEVEL 3,
CENTRAL OFFICE APPLICATIONS.
- 5 PLATED THRU HOLES AT 2x1.5mm GRID. 200 TOTAL HOLES.
- 6 CONTACT AREA LUBRICATED WITH BELLCORE APPROVED LUBRICANT.
TECHNICAL REFERENCE: GR-1217-CORE, ISSUE 1, NOVEMBER 1995.
- 7 CONNECTOR PRINTED WITH PART NUMBER AND DATE CODE THIS SIDE.
ADDITIONAL CHARACTERS OR MARKINGS, AS WELL AS THE
LOCATION OF THE MARKINGS, MAY BE ADDED FOR TRACEABILITY BASED
UPON MANUFACTURERS DISCRETION.
- 8 0.76μm MIN GOLD PLATING AT MATING SURFACE.

1	2	3	4	5	6	7	8	3-5646445-0
1	2	3	4	5	6	7	8	5646445-9
1	2	3	4	5	6	7	8	5646445-1
FINISH								PART NUMBER

THIS DRAWING IS A CONTROLLED DOCUMENT.		DIN B CARBO 08DEC04	TE Connectivity	
DIMENSIONS: mm		CHK G SKIPPER 08DEC04	NAME	
TOLERANCES UNLESS OTHERWISE SPECIFIED:		APVD G SKIPPER 08DEC04	RECEPTACLE ASSEMBLY, 200 POSITION, TYPE E, 8 ROW, W/TWISTED TULIP CONTACTS, Z-PACK 2mm HM	
0-PLC ±		PRODUCT SPEC	SIZE	RESTRICTED TO
1-PLC ±0.1		APPLICATION SPEC	CAGE CODE	
2-PLC ±0.05 ±0.2		WEIGHT	DRAWING NO	
3-PLC ±		A1 00779	5646445	
4-PLC ±		CUSTOMER DRAWING	SCALE 5:1	SHEET 1 OF 1
ANGLES				REV E