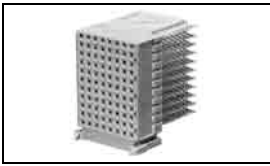


5646446-1 Product Details

[Share](#) [Print](#) [Email](#)



5646446-1

TE Internal Number: 5646446-1

Active

[View 3D PDF](#)

2mm Hard Metric PCB Mount Connectors (Z-PACK 2mm HM)

Always EU RoHS/ELV Compliant (Statement of Compliance)

Product Highlights:

- Connector
- Connector Assembly
- Connector Style = Receptacle
- Type = Type F
- Interface Type = 2mm HM

[View all Features](#)

Quick Links

- ▶ [Pricing & Availability](#)
- ▶ [Search for Tooling](#)
- ▶ [View Mating Products \(2\)](#)
- ▶ [Product Feature Selector](#)
- ▶ [Contact Us About This Product](#)

[Add to My Part List](#) [Request Sample](#) [Find Similar Products](#) [Buy Product](#)

Documentation & Additional Information

Product Drawings:

- [R/A RECEPTACLE ASSY, 88 POSN, TTR 8 ROW, TYPE F, Z-P...](#) (PDF, English)

Catalog Pages/Data Sheets:

- None Available

Product Specifications:

- [Connector, Z-PACK, 8 Row, 2mm HM](#) (PDF, English)

Application Specifications:

- [Z-PACK 2mm HM Interconnection System for Board-to-Bo...](#) (PDF, English)

Instruction Sheets:

- None Available

CAD Files: (CAD Format & Compression Information)

- [2D Drawing](#) (DXF, Version A)
- [3D Model](#) (IGES, Version A)
- [3D Model](#) (STEP, Version A)

[List all Documents](#)

Additional Information:

- [Product Line Information](#)

Related Products:

- [Tooling](#)
- [Mating Products \(2\)](#)

Product Features (Please use the Product Drawing for all design activity)

Product Type Features:

- Product Type = Connector
- Connector Type = Connector Assembly
- [PCB Mounting Orientation](#) = Right Angle

Mechanical Attachment:

- [Board Mount](#) = Free Board
- AMP Standard Option Number = 1

Termination Features:

- [Interface Type](#) = 2mm HM
- Termination End Plating = Tin over Nickel

Dimensions:

- [Module Length \(mm \[in\]\)](#) = 25.00 [0.984]

Body Features:

- Type = Type F

Contact Features:

- Contact Configuration = ACTION PIN Post, Signal
- [Feedthrough Post Length \(mm \[in\]\)](#) = 3.30 [0.130]
- [CompactPCI](#) = Yes
- [Contact Plating, Mating Area, Material](#) = Performance-Based
- [Grounding Contact](#) = Without
- Contact Base Material = Phosphor Bronze

Housing Features:

- Connector Style = Receptacle
- [Mating Alignment](#) = With
- [Mating Alignment Type](#) = Multi-Purpose Center
- Housing Color = Gray
- Housing Material = Polyester GF
- UL Flammability Rating = UL 94V-0

Configuration Features:

- [Number of Rows](#) = 8
- [Number of Positions](#) = 88
- [Crosstalk Version](#) = Standard
- [Shielded](#) = No
- Rows Loaded = F, H, G, E, D, A, B, C

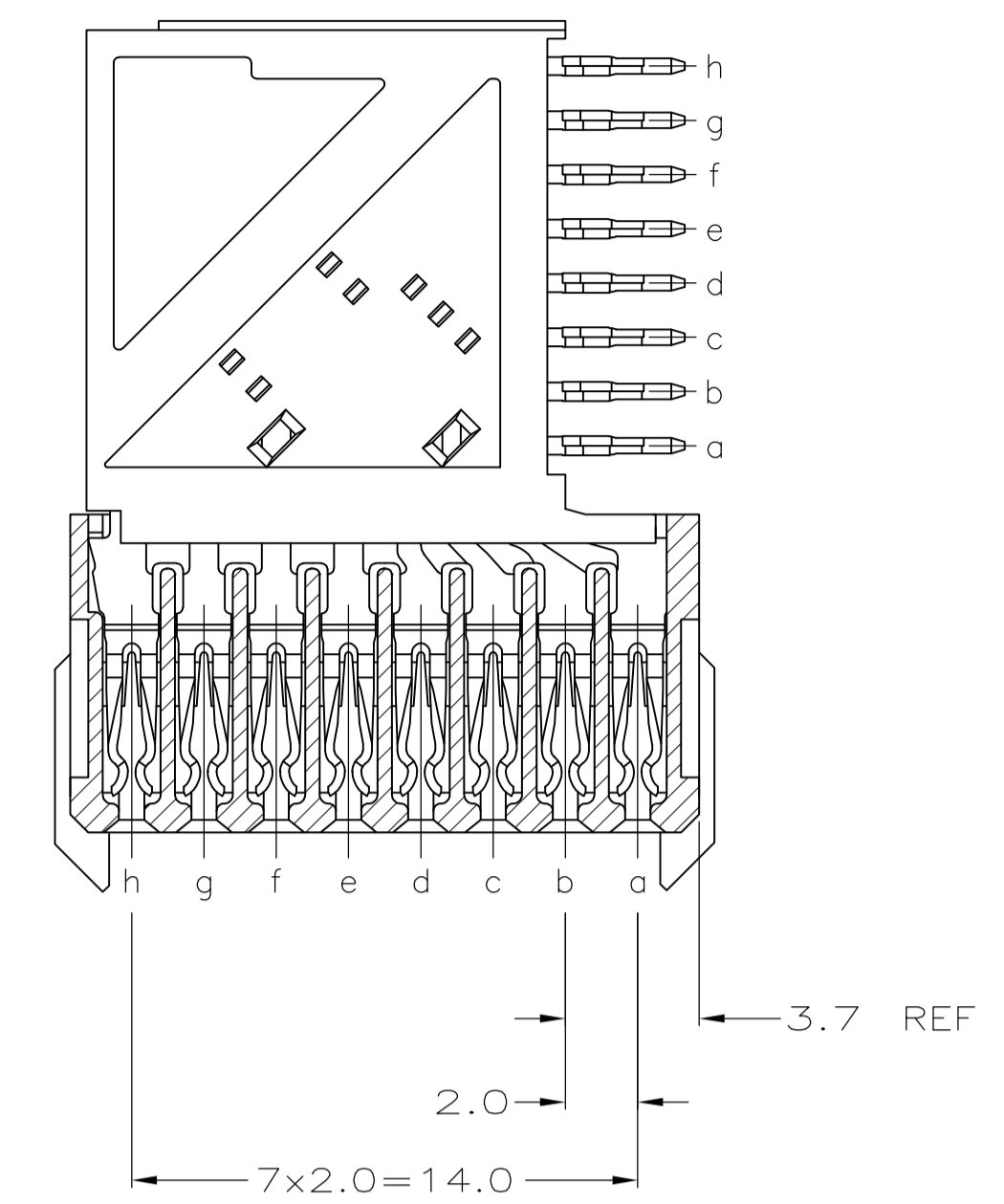
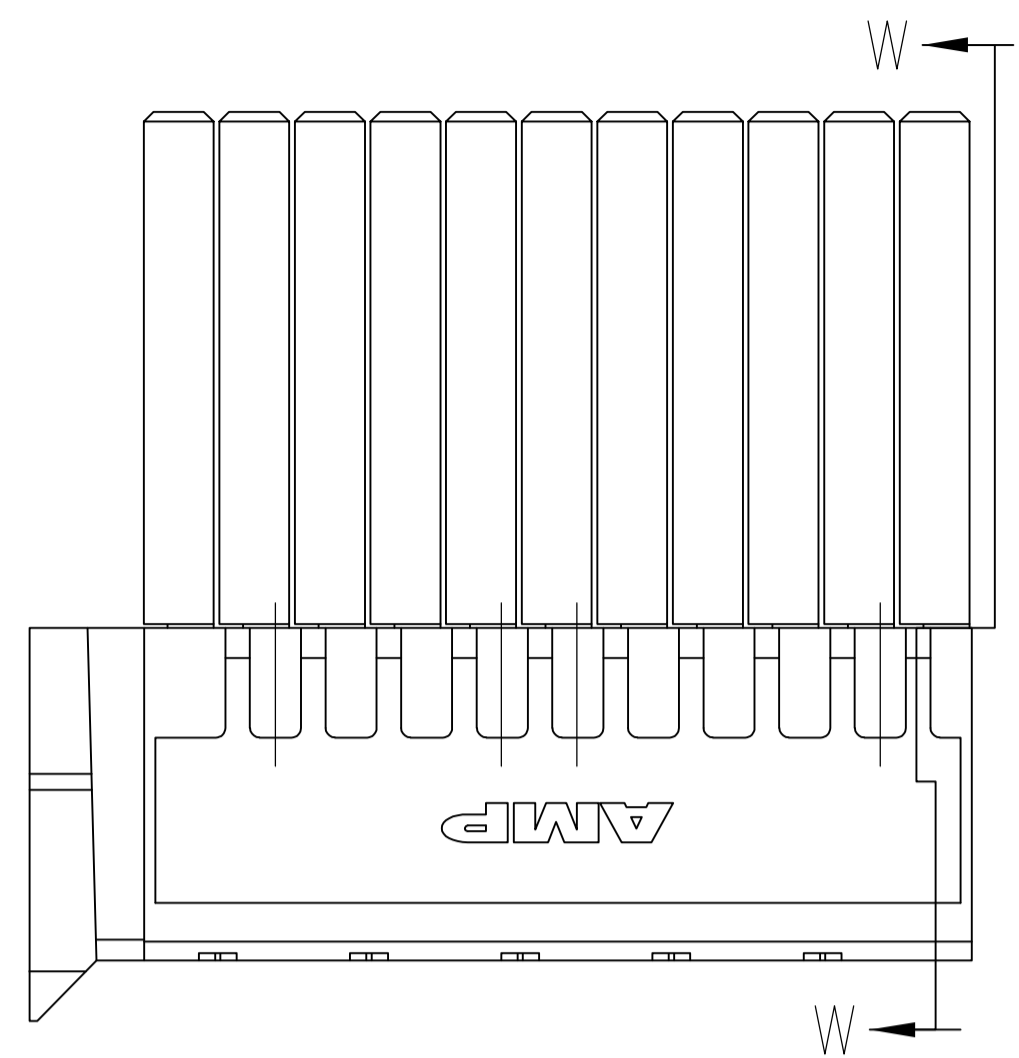
Industry Standards:

- [RoHS/ELV Compliance](#) = RoHS compliant, ELV compliant
- [Lead Free Solder Processes](#) = Not relevant for lead free process
- RoHS/ELV Compliance History = Always was RoHS compliant

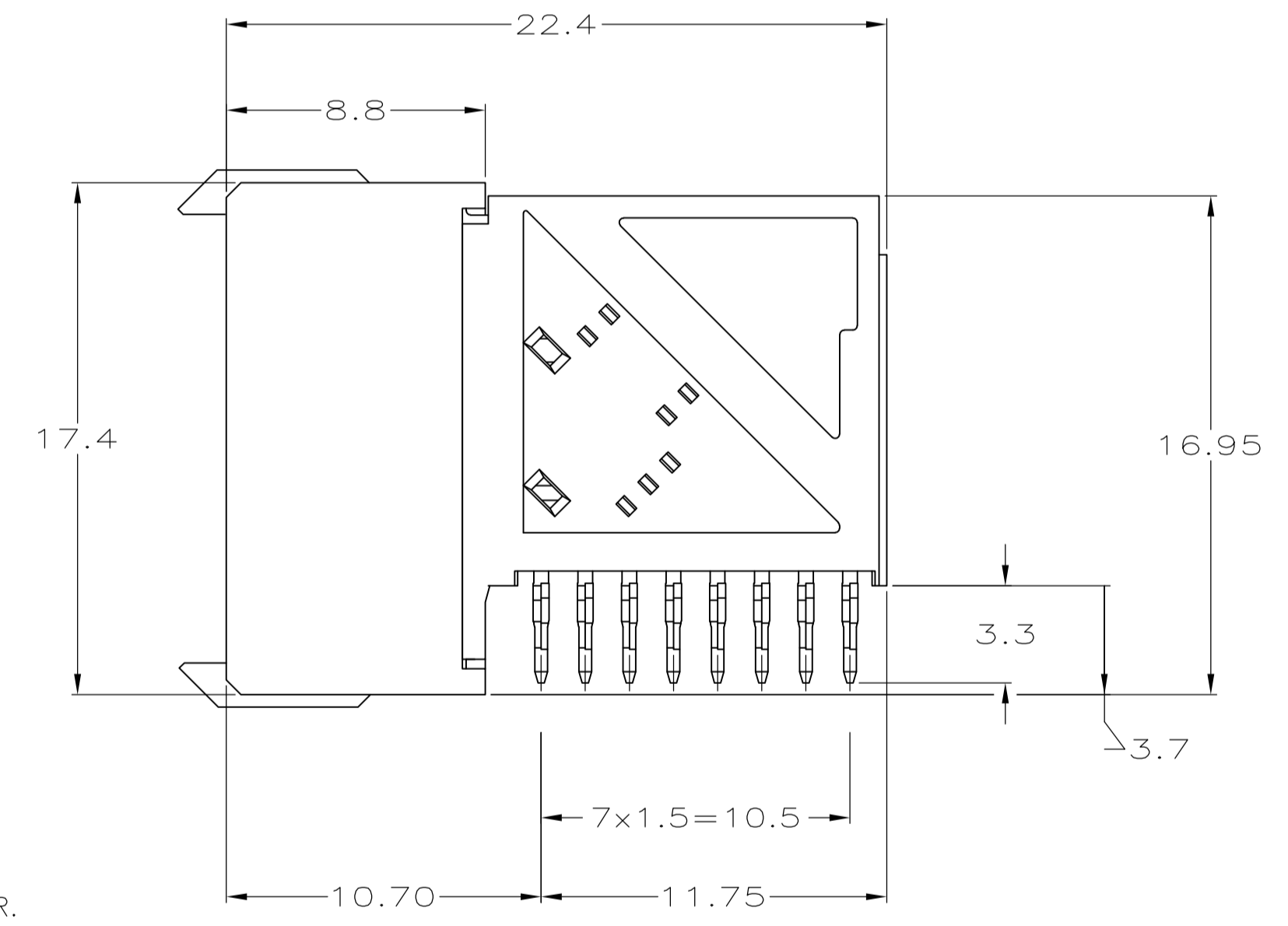
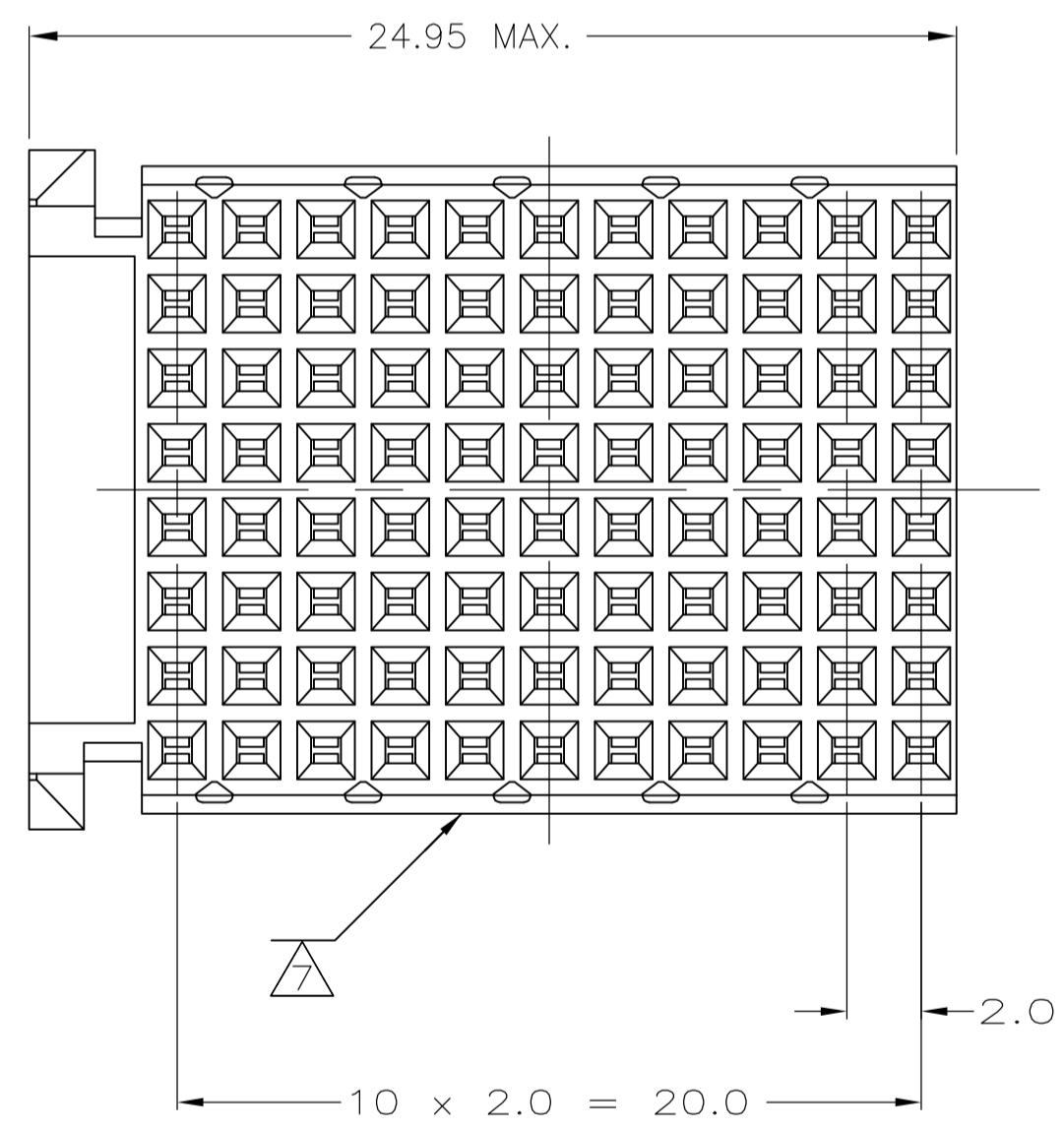
Other:

- Brand = TE Connectivity

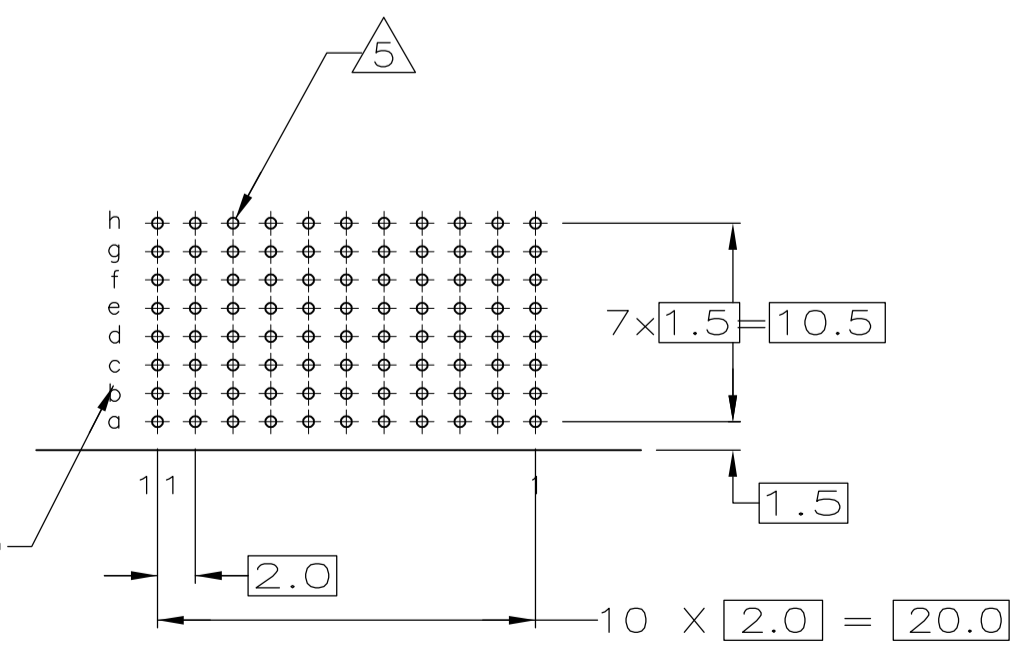
LOC		DIST		REVISIONS			
P	LTR	DESCRIPTION	DATE	DMN	APVD		
C		REV PER EC ECR-11-003871	22FEB11	RC	CW		
D		ECO-11-024491	13DEC11	SY	MQW		



SECTION W-W



PCB HOLE DIMENSIONS		
DRILLED HOLE	0.7	±0.025 mm
FIN. HOLE	0.55 TO 0.65	mm
Cu-thks	0.025 TO 0.050	mm
SnPb-thks	0.004 TO 0.010	mm



RECOMMENDED PCB HOLE LAYOUT
 COMPONENT SIDE
 SCALE 2.5:1

- 1 MATERIAL:
 CONTACT: PHOSPHOR BRONZE.
 HOUSING: GLASS-FILLED POLYESTER.
- 2 GENERAL PLATING SPECIFICATION: UNDERPLATING
 (ENTIRE CONTACT): 1.27µm MIN NICKEL AND ACTION
 PIN: 0.5µm MIN TIN.
 FOR PLATING OF MATING SURFACES SEE APPLICABLE
 SPECIFICATION REFERENCE FOR EACH DASH NUMBER.
- 3 CONFORMS TO ALL TESTING ACCORDING TO IEC 61076-4-101
 PERFORMANCE LEVEL 2.
- 4 CONNECTOR TESTED AND QUALIFIED AGAINST TELCORDIA GR-1217-CORE QUALITY LEVEL 3,
 CENTRAL OFFICE APPLICATIONS.
- 5 PLATED THROUGH HOLES AT 2x1.5mm GRID. 88 TOTAL HOLES.
- 6 CONTACT AREA LUBRICATED WITH BELLCORE APPROVED LUBRICANT.
 TECHNICAL REFERENCE: GR-1217-CORE, ISSUE 1, NOVEMBER 1995.
- 7 CONNECTOR PRINTED WITH PART NUMBER AND DATE CODE THIS SIDE.
 ADDITIONAL CHARACTERS OR MARKINGS, AS WELL AS THE LOCATION OF THE MARKINGS,
 MAY BE ADDED FOR TRACEABILITY BASED UPON MANUFACTURERS DISCRETION.
- 8 OBSOLETE PARTS: OBSOLETE CIS STREAMLINING PER D.RENAUD/D.SINISI
- 9 0.76µm MIN GOLD PLATING ON MATING SURFACES

8	OBSOLETE	2 3 9	3-646446-0
		2 4 6	-646446-9-
		2 3	646446-1
		FINISH	PART NUMBER

THIS DRAWING IS A CONTROLLED DOCUMENT.		DIN B CARDO 16MAY05	Tyco Electronics Corporation Harrisburg, PA 17105-3608	
DIMENSIONS: mm		CIK G SKIPPER 16MAY05	NAME R/A RECEPTACLE ASSY, 88 POSN, TTR 8 ROW, TYPE F, Z-PACK 2mm HM	
TOLERANCES UNLESS OTHERWISE SPECIFIED: 0-PLC ± 1-PLC ±0.1 2-PLC ±0.05 3-PLC ±0.025 4-PLC ±0.015 ANGLES ±		APVD G SKIPPER 16MAY05	APPLICATION SPEC	
MATERIAL 1		FINISH SEE TABLE	WEIGHT	RESTRICTED TO
		SIZE A1	CAGE CODE 00779	DRAWING NO C=5646446
		CUSTOMER DRAWING	SCALE 5:1	SHEET 1 OF 1 REV D