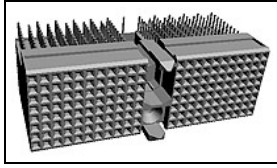


## 5646486-1 Product Details



**5646486-1**

TE Internal Number: 5646486-1



### 2mm Hard Metric PCB Mount Connectors (Z-PACK 2mm HM)

 Always EU RoHS/ELV Compliant (Statement of Compliance)

#### Product Highlights:

- Connector
- Connector Assembly
- Connector Style = Receptacle
- Type = Type D, 25 Column
- Interface Type = 2mm HM

### Documentation & Additional Information

#### Product Drawings:

- [R/A RECEPTACLE ASSY, 176 POSN Z-PACK 2mm HM, TYPE D ...](#) (PDF, English)

#### Catalog Pages/Data Sheets:

- None Available

#### Product Specifications:

- [Connector, Z-PACK, 8 Row, 2mm HM](#) (PDF, English)

#### Application Specifications:

- [Z-PACK 2mm HM Interconnection System for Board-to-Bo...](#) (PDF, English)

#### Instruction Sheets:

- None Available

#### CAD Files: (CAD Format & Compression Information)

- [2D Drawing](#) (DXF, Version O)
- [3D Model](#) (IGES, Version O)
- [3D Model](#) (STEP, Version O)

#### Additional Information:

- [Product Line Information](#)

#### Related Products:

- [Tooling](#)
- [Mating Products \(1\)](#)

### Product Features (Please use the Product Drawing for all design activity)

#### Product Type Features:

- Product Type = Connector
- Connector Type = Connector Assembly
- [PCB Mounting Orientation](#) = Right Angle
- Shield Material = Phosphor bronze

#### Mechanical Attachment:

- [Board Mount](#) = Free Board
- AMP Standard Option Number = 1
- Shield Type = Ground Return Shielding
- Shield Style = Upper

#### Electrical Characteristics:

- [Shielded](#) = Yes

#### Termination Features:

- [Interface Type](#) = 2mm HM
- Termination End Plating = Tin over Nickel

#### Dimensions:

- Module Length (mm [in]) = 48.00 [1.891]

#### Body Features:

- Type = Type D, 25 Column
- Shield Plating = Nickel

#### Contact Features:

- Contact Configuration = ACTION PIN Post, Signal
- [Feedthrough Post Length \(mm \[in\]\)](#) = 3.30 [0.130]
- [CompactPCI](#) = Yes
- [Contact Plating, Mating Area, Material](#) = Performance-Based
- [Grounding Contact](#) = Without
- Contact Base Material = Phosphor Bronze

#### Housing Features:

- Connector Style = Receptacle
- [Mating Alignment](#) = With
- [Mating Alignment Type](#) = Multi-Purpose Center
- Housing Color = Gray
- Housing Material = Polyester GF
- UL Flammability Rating = UL 94V-0

#### Configuration Features:

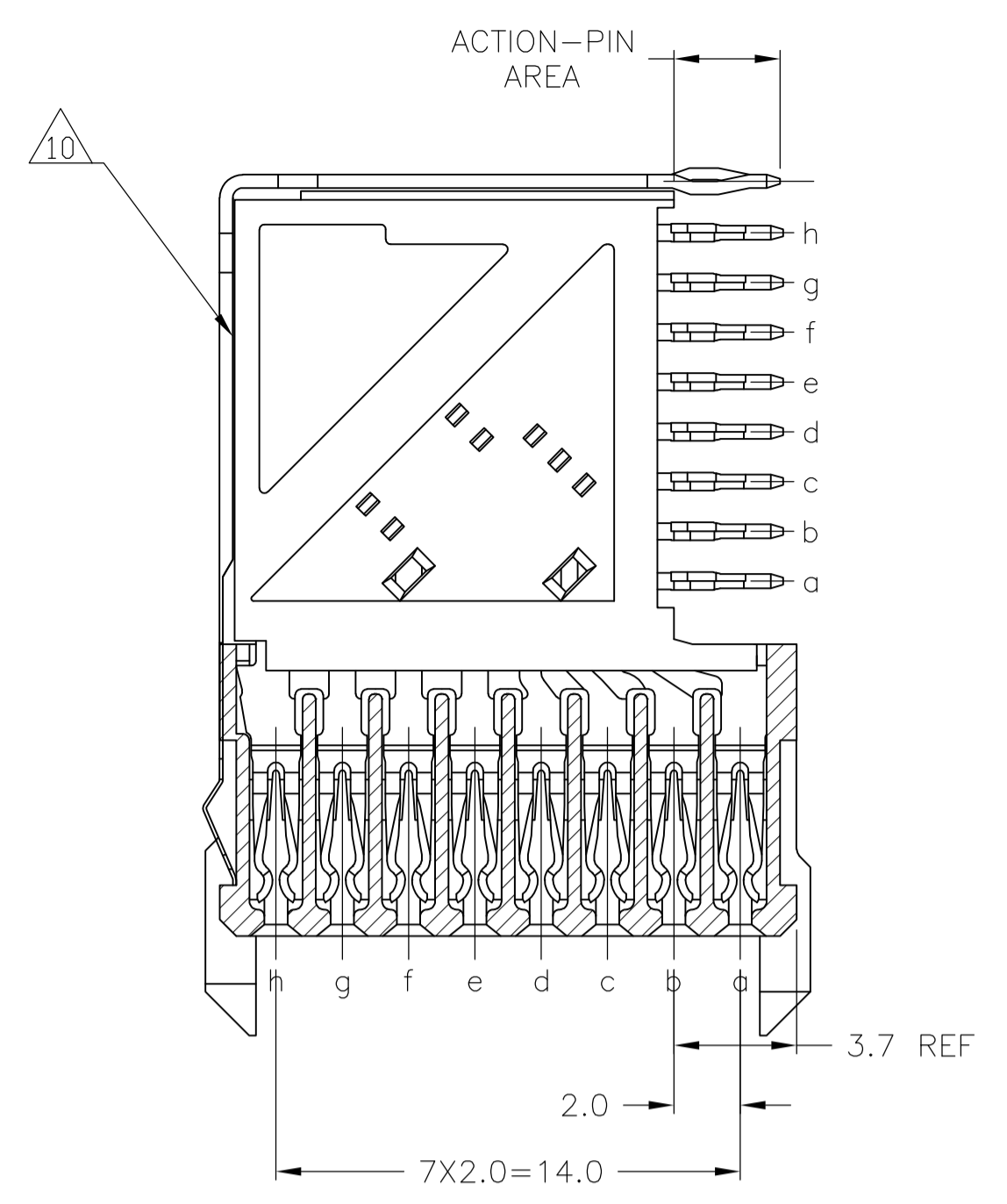
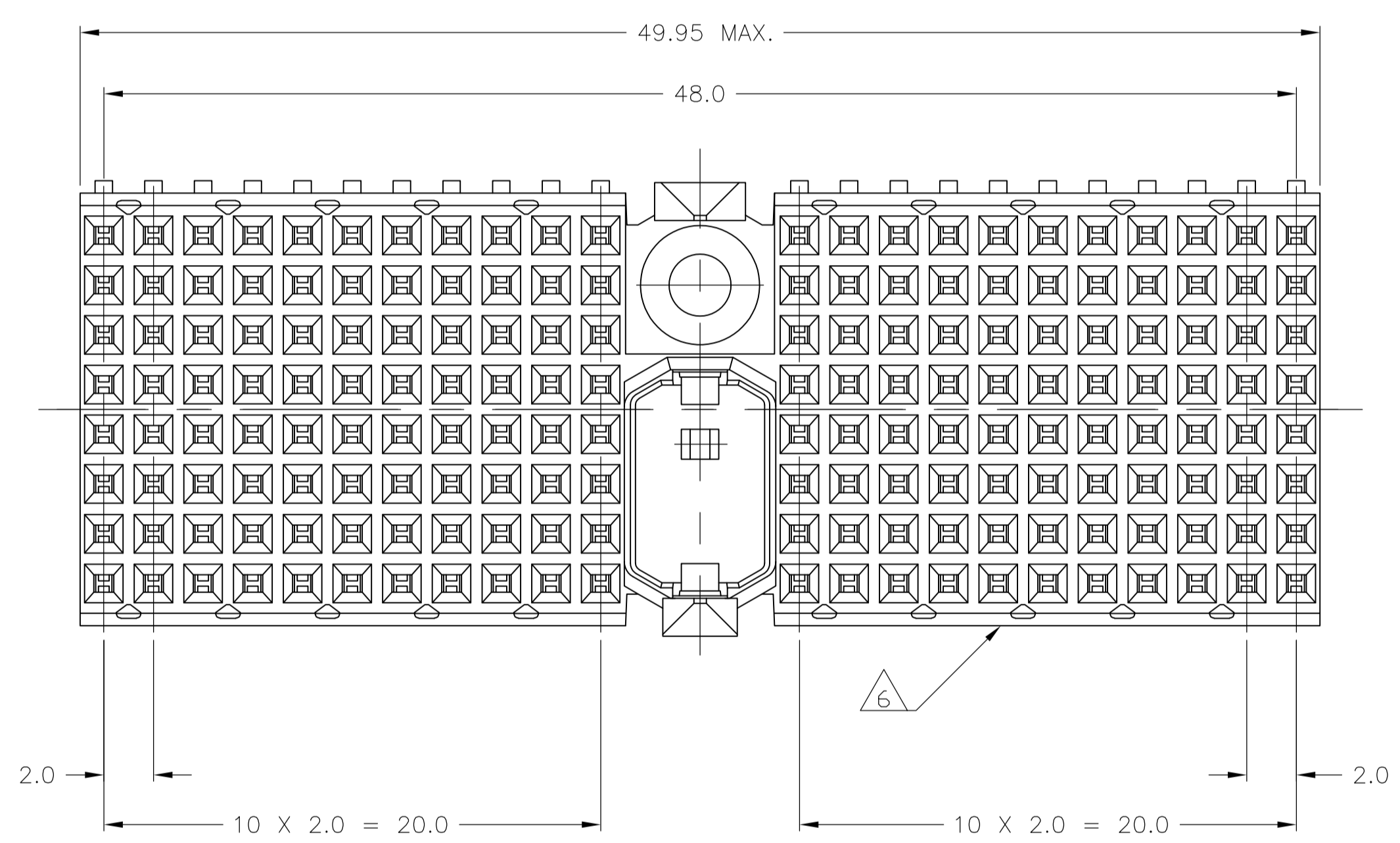
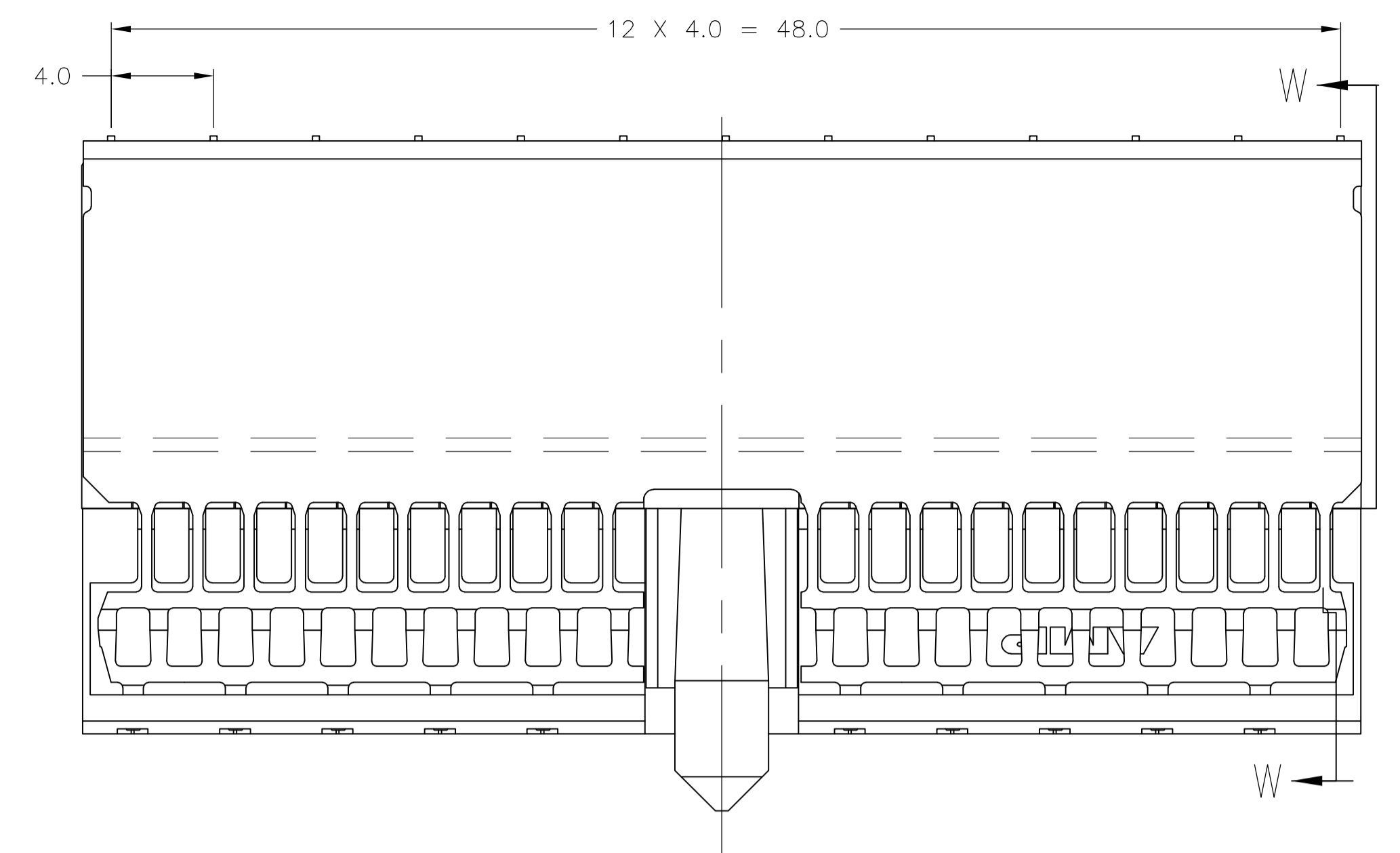
- [Number of Rows](#) = 8
- [Number of Positions](#) = 176
- [Crosstalk Version](#) = Standard
- Rows Loaded = C, D, F, B, A, H, E, G

#### Industry Standards:

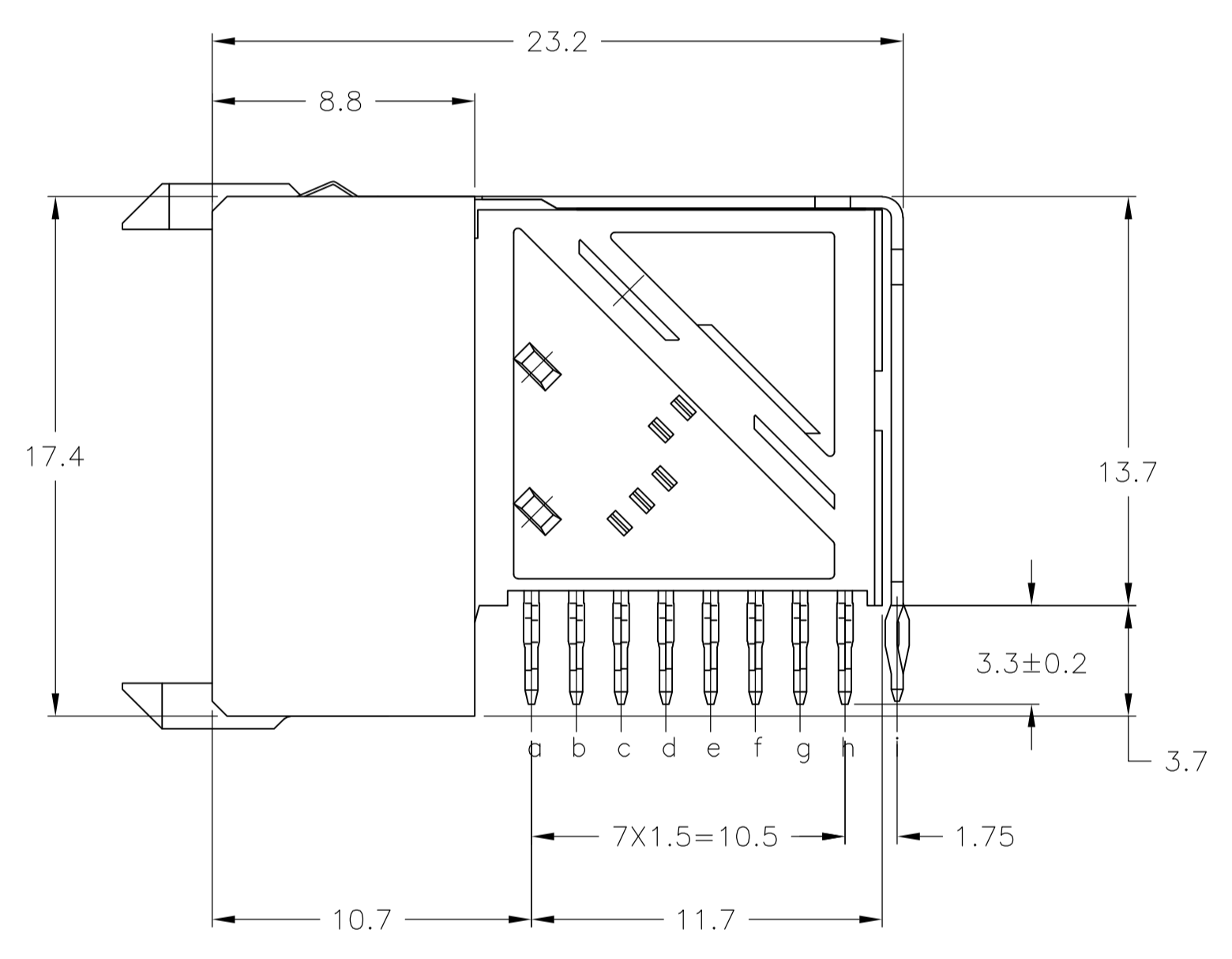
- [RoHS/ELV Compliance](#) = RoHS compliant, ELV compliant
- [Lead Free Solder Processes](#) = Not relevant for lead free process
- RoHS/ELV Compliance History = Always was RoHS compliant

#### Other:

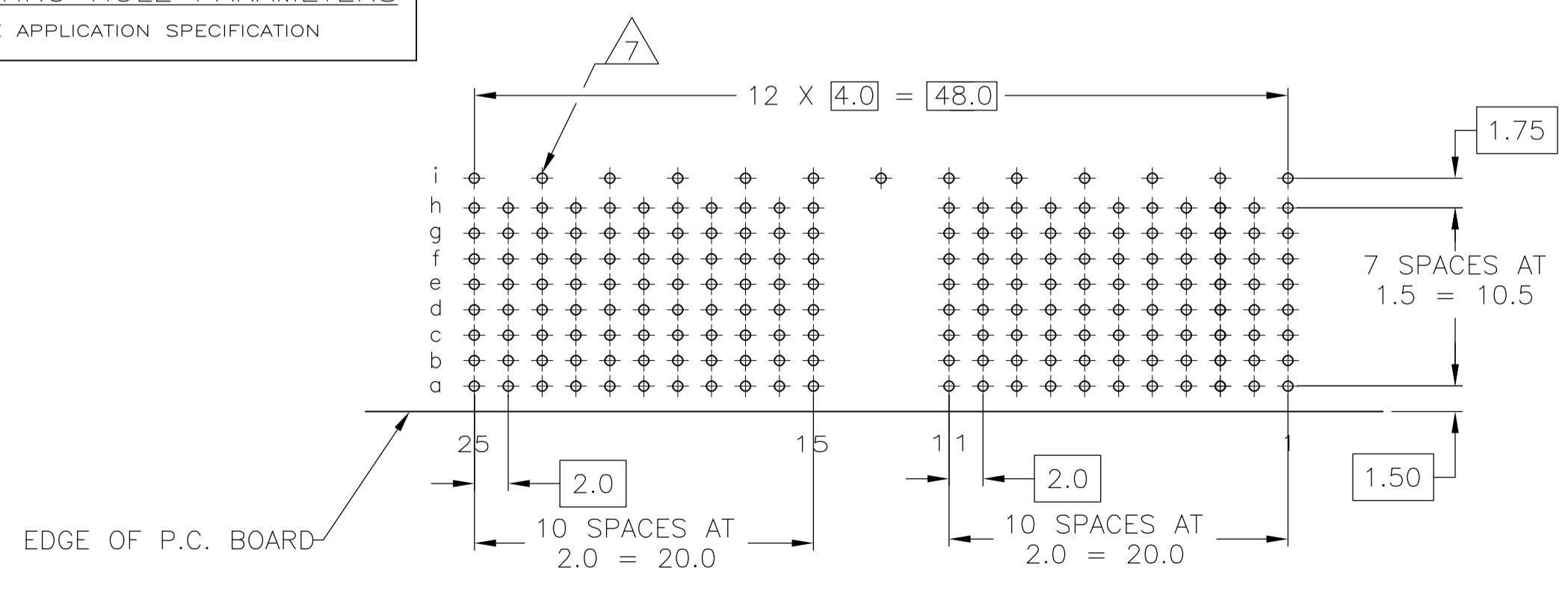
- Brand = AMP



SECTION W-W



PLATED THRU HOLE PARAMETERS  
REFERENCE APPLICATION SPECIFICATION



RECOMMENDED PCB-HOLE LAYOUT  
COMPONENT SIDE SHOWN  
SCALE 3:1

- 1 MATERIAL:  
CONTACT: PHOSPHOR BRONZE.  
HOUSING: GLASS-FILLED POLYESTER.
- 2 GENERAL PLATING SPECIFICATION: UNDERPLATING  
(ENTIRE CONTACT): 1.27µm MIN NICKEL AND ACTION  
PIN: 0.5µm MIN TIN.  
FOR PLATING OF MATING SURFACES SEE APPLICABLE  
SPECIFICATION REFERENCE FOR EACH DASH NUMBER.
- 3 CONFORMS TO ALL TESTING ACCORDING TO IEC 61076-4-101  
PERFORMANCE LEVEL 2.
- 4 CONNECTOR TESTED AND QUALIFIED AGAINST TELCORDIA GR-1217-CORE QUALITY LEVEL 3,  
CENTRAL OFFICE APPLICATIONS.
- 5 CONNECTOR TESTED AND QUALIFIED AGAINST TELCORDIA GR-1217-CORE QUALITY LEVEL 3,  
UNCONTROLLED ENVIROMENT APPLICATIONS.
- 6 CONNECTOR MARKED WITH PART NUMBER AND DATE CODE.  
ADDITIONAL CHARACTERS OR MARKINGS, AS WELL AS THE LOCATION OF THE MARKINGS,  
MAY BE ADDED FOR TRACEABILITY BASED UPON MANUFACTURERS DISCRETION.
- 7 PLATED-THROUGH HOLES AT 2x1.5mm GRID  
176 TOTAL HOLES.
- 8 ROW "i" 13 PLATED THROUGH HOLES FOR UPPERSHIELD.
- 9 CONNECTOR & SHIELD LUBRICATED WITH BELCORE APPROVED LUBRICANT,  
TECHNICAL REFERENCE: TR-NWT-001217 ISSUE 1, SEP 1992.
- 10 SHIELD MOUNTED TO CONNECTOR WITH DOUBLE SIDED ADHESIVE TAPE  
OR ADHESIVE.
- 11 OBSOLETE PARTS: OBSOLETE CIS STREAMLINING PER D.RENAUD/D.SINISI

OBSOLETE	2 5 9	-1-5646486-9-
	2 4 9	5646486-9
	2 3	5646486-1
	FINISH	PART NUMBER

THIS DRAWING IS A CONTROLLED DOCUMENT.		DIN B CARBO 28JUL05	TE Connectivity	
DIMENSIONS: mm		CIK G SKIPPER 28JUL05	R/A RECEPTACLE ASSY, 176 POSN	
TOLERANCES UNLESS OTHERWISE SPECIFIED:		APVD G SKIPPER 28JUL05	Z-PACK 2mm HM, TYPE D	
0-PLC ±		NAME	W/GROUND RETURN SHIELD	
1-PLC ±0.1		PRODUCT SPEC	108-1622	
2-PLC ±0.2		APPLICATION SPEC	114-19029	
3-PLC ±		SIZE	CODE	DRAWING NO
4-PLC ±		WEIGHT	A1	00779
ANGLES ±		CUSTOMER DRAWING	SCALE	5:1
MATERIAL		FINISH	SEE TABLE	SHEET 1 of 1
1				REV D