

Vertical Male Connector, 5 Row, Type A/B

Type A/B Vertical Male Connector

Type A/B male connectors will mate with Type A/B right angle female connectors shown on page 15.

5 Row Version

Type A/B connector offers the guidance ability similar to the Type A connector but also utilizes the center three columns for additional signal pin capability which are not found in the Type A connector.

Available in the Type A/B connector are 95 signal pins, 110 signal pins and 125 signal pins. All are end stackable without change of contact pitch according to the chart on page 9.

5+2 Row Versions

For use with females with ground return shields and contacts in rows z and f in addition to those above.

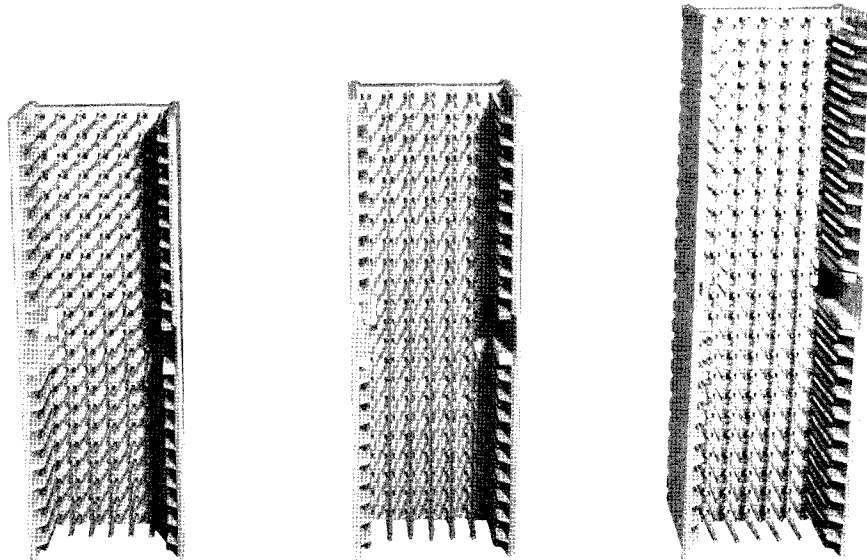
Short Tail Versions

Standard versions have contact option A in rows a-e with option C in rows z and f on 5+2 row versions.

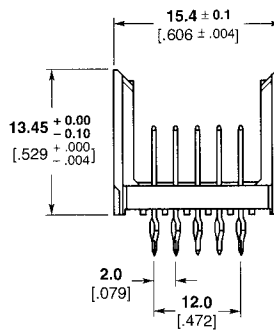
Feedthrough Versions

For midplane connection, 5 row versions mate with standard 5 row Type A/B female connectors and 5+2 row versions mate with Type A/B female connectors having ground return shields. Standard versions use contact options K and T instead of A and C.

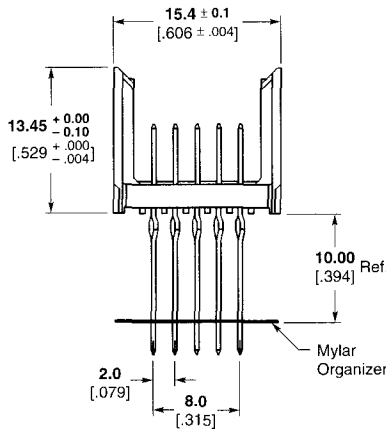
Mylar tail guides can be fitted to feedthrough posts to aid assembly to the board.



Type A/B Short Tail



Type A/B Feedthrough



Materials and Finish

Glass filled polyester housing, gray UL94 V-0 rated

Phosphor-bronze signal contacts

Contact area 0.8µm [.000030] Au over 1.3µm [.000050] Ni

ACTION PIN Contact 0.5µm [.000020]

Sn/Pb over 1.3µm [.000050] Ni

Board layout (see Customer Print).

Description	Part Numbers			
	Short Tail		Feedthrough	
	5 Row	5+2 Row	5 Row	5+2 Row
Type A/B (25)	646731-1	646529-1	646938-1	646535-1
Type A/B (22)	646737-1	646533-1	646949-1	646735-1
Type A/B (19)	646948-1	646530-1	646950-1	646732-1