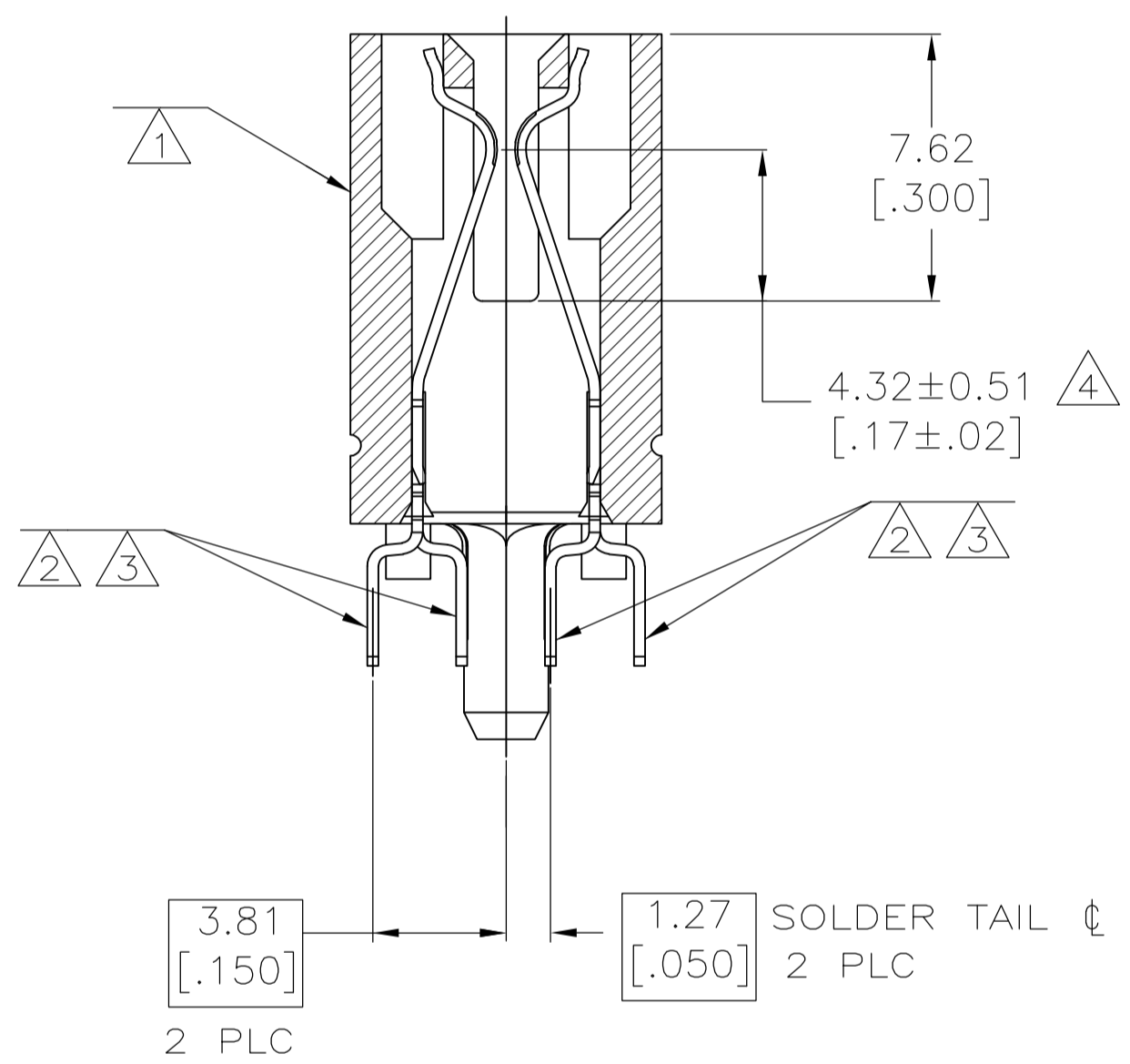
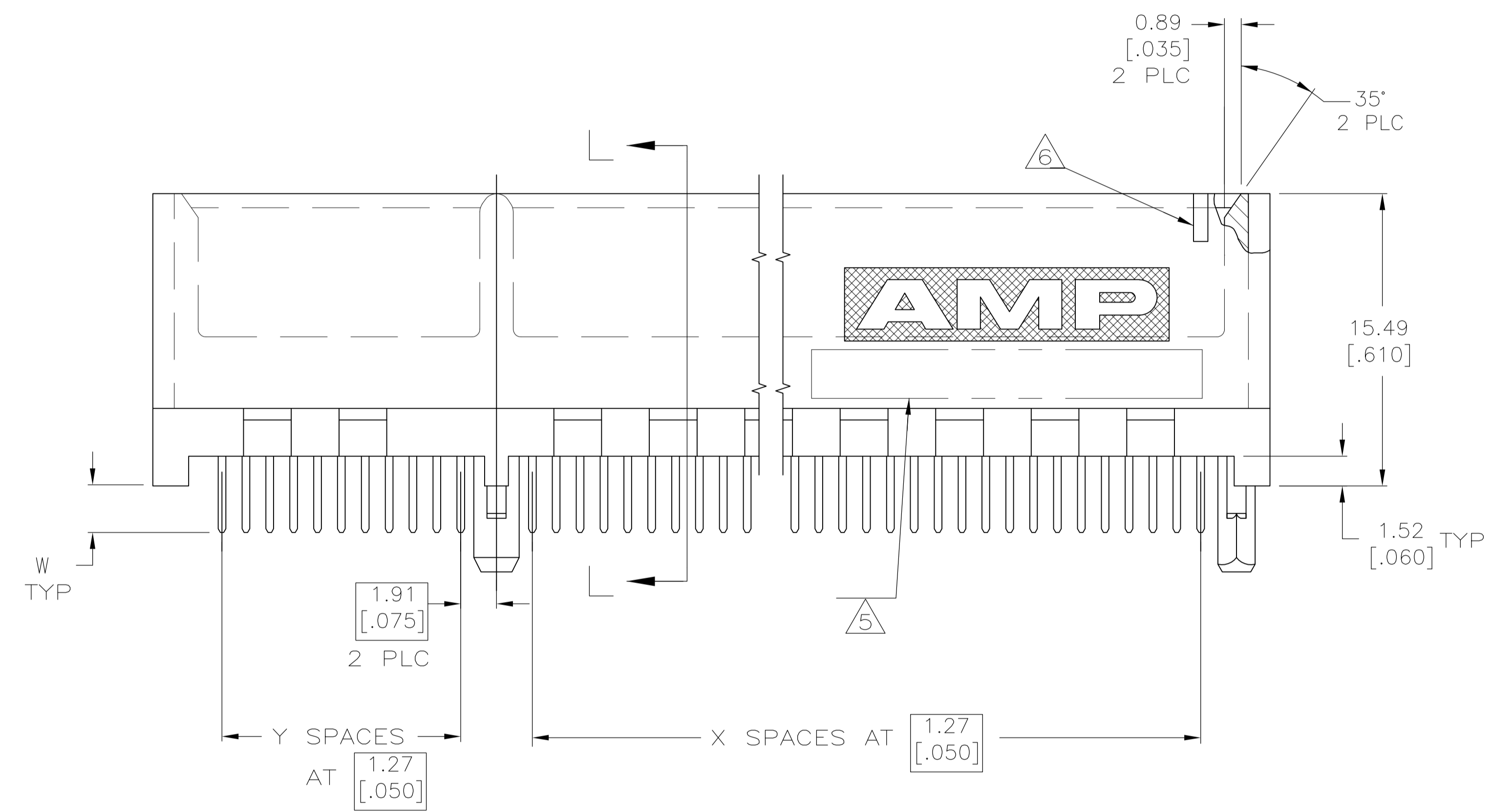
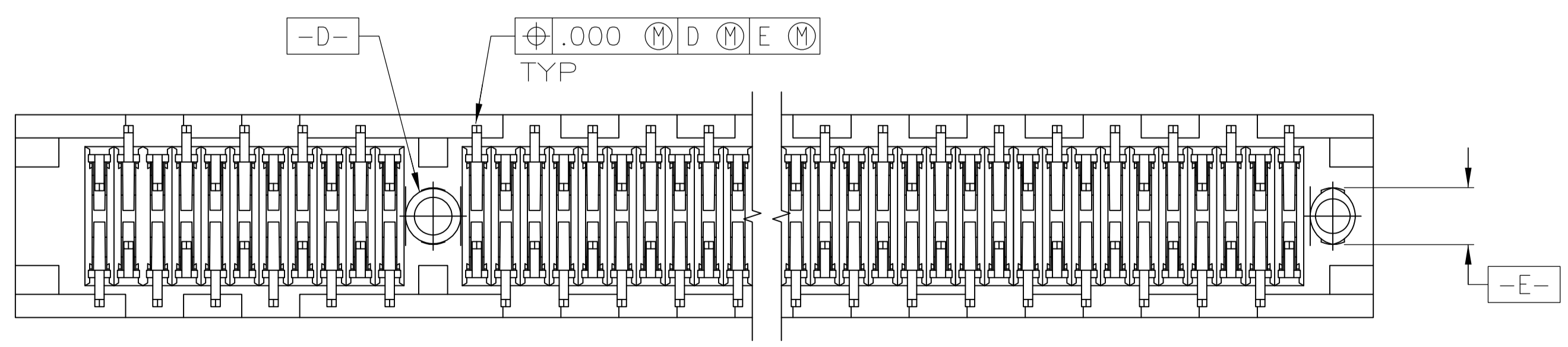


- 1 HOUSING: HIGH TEMPERATURE THERMOPLASTIC. COLOR: BROWN.
- 2 CONTACT: PHOSPHOR BRONZE.
- 3 CONTACT FINISH: .000100 MIN NICKEL ALL OVER. .000030 MIN GOLD OVER NICKEL IN CONTACT AREA. .000100 MIN MATTE TIN OVER NICKEL ON SOLDER TAILS.
- 4 DISTANCE FROM CONTACT POINT TO BOTTOM OF CARD SLOT.
- 5 AMP PART NUMBER, DATE CODE AND CSA LOGO MARKED IN APPROXIMATE AREA SHOWN.
- 6 PIN ONE IDENTIFIER NOTCH ONLY ON PART NUMBERS INDICATED.
- 7 OBSOLETE PARTS: OBSOLETE CIS STREAMLINING PER D.RENAUD/D.SINISI



SECTION L-L  
SCALE 8:1

7	OBSOLETE	3.18 [0.125]	NO	B	45.72 [1.800]	44.70 [1.760]	65.79 [2.59]	15.49 [0.610]	10	33	45	1-5650090-4
		3.56 [0.140]	NO	A	26.67 [1.050]	25.65 [1.010]	46.74 [1.84]	15.49 [0.610]	10	18	30	1-5650090-2
7	OBSOLETE	3.56 [0.140]	NO	C	55.88 [2.200]	54.86 [2.160]	110.24 [4.34]	49.78 [1.960]	37	41	80	1-5650090-1
		2.54 [0.100]	NO	C	55.88 [2.200]	54.86 [2.160]	110.24 [4.34]	49.78 [1.960]	37	41	80	5650090-9
		2.54 [0.100]	NO	B	17.78 [0.700]	16.76 [0.660]	37.85 [1.49]	15.49 [0.610]	10	11	23	5650090-7
		2.54 [0.100]	NO	A	26.67 [1.050]	25.65 [1.010]	46.74 [1.84]	15.49 [0.610]	10	18	30	5650090-6
		2.54 [0.100]	NO	A	39.37 [1.550]	38.35 [1.510]	59.44 [2.34]	15.49 [0.610]	10	28	40	5650090-3
		2.54 [0.100]	NO	B	45.72 [1.800]	44.70 [1.760]	65.79 [2.59]	15.49 [0.610]	10	33	45	5650090-2
		2.54 [0.100]	YES	A	59.69 [2.350]	58.67 [2.310]	79.76 [3.14]	15.49 [0.610]	10	44	56	5650090-1
W	PIN ONE IDENTIFIER	HOLE PATTERN	V	U	T	S	Y	X	NO OF DUAL POSN	PART NUMBER		



SEE SHEET 2 FOR HOLE PATTERNS

THIS DRAWING IS A CONTROLLED DOCUMENT. DIMENSIONS: mm. TOLERANCES UNLESS OTHERWISE SPECIFIED: 0 PLC ± -, 1 PLC ± -, 2 PLC ± 0.25 [0.01], 3 PLC ± 0.12 [0.005], 4 PLC ± -, ANGLES ± °.

FRANTUM 24 JAN 05  
FRANTUM 24 JAN 05

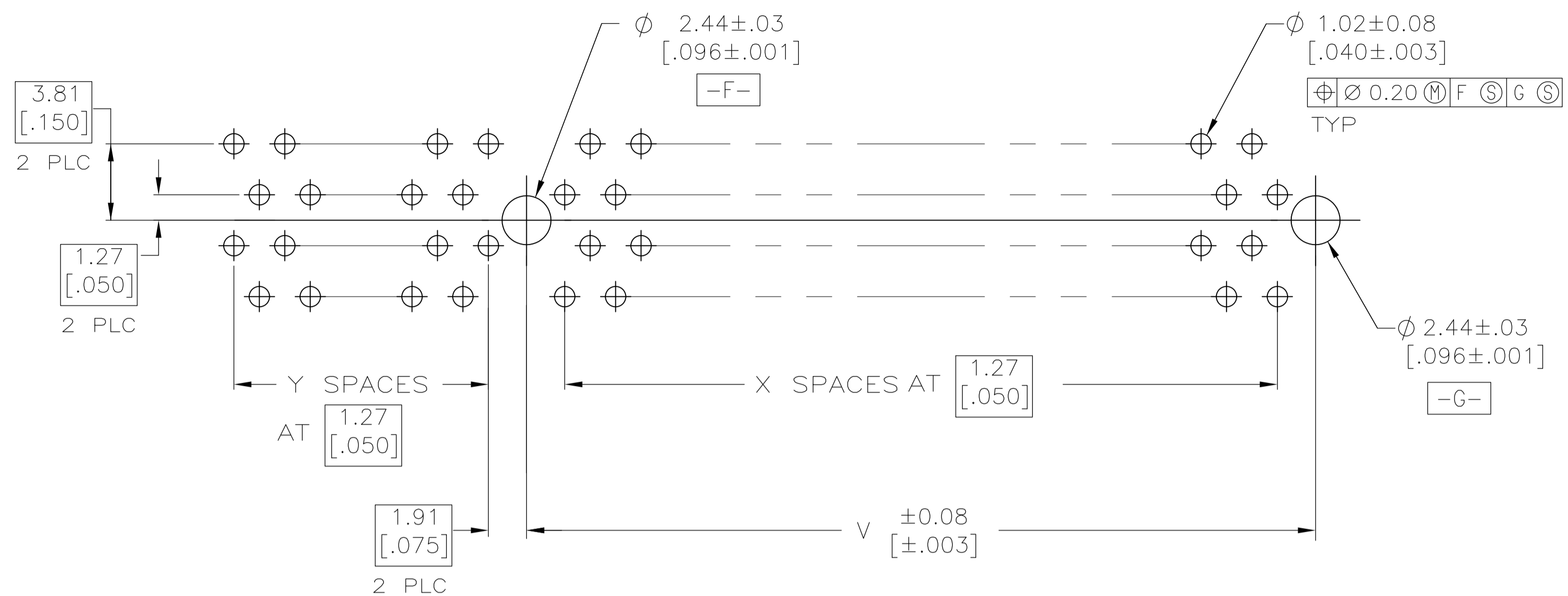
**STE** TE Connectivity

CONNECTOR ASSEMBLY, DUAL POSITION, .050 SERIES

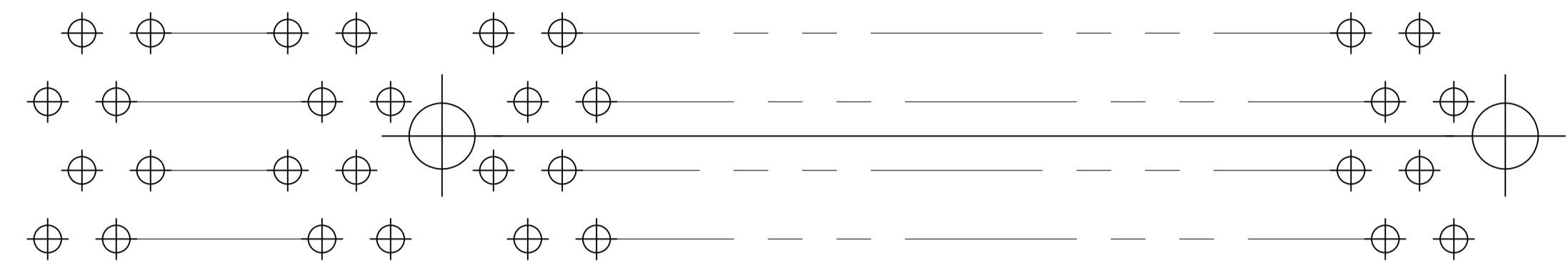
PRODUCT SPEC 108-14034  
APPLICATION SPEC 114-26012

SIZE A1 CASE CODE 00779 DRAWING NO 5650090  
WEIGHT -

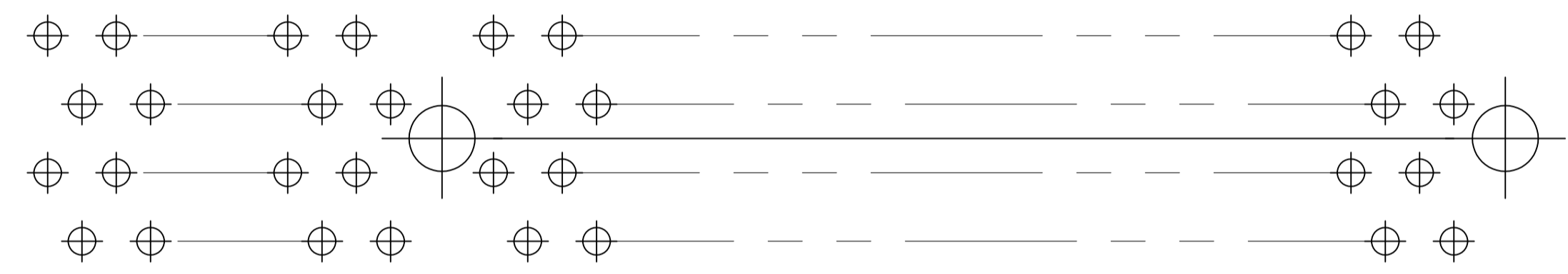
CUSTOMER DRAWING SCALE 5:1 SHEET 1 OF 2 REV P



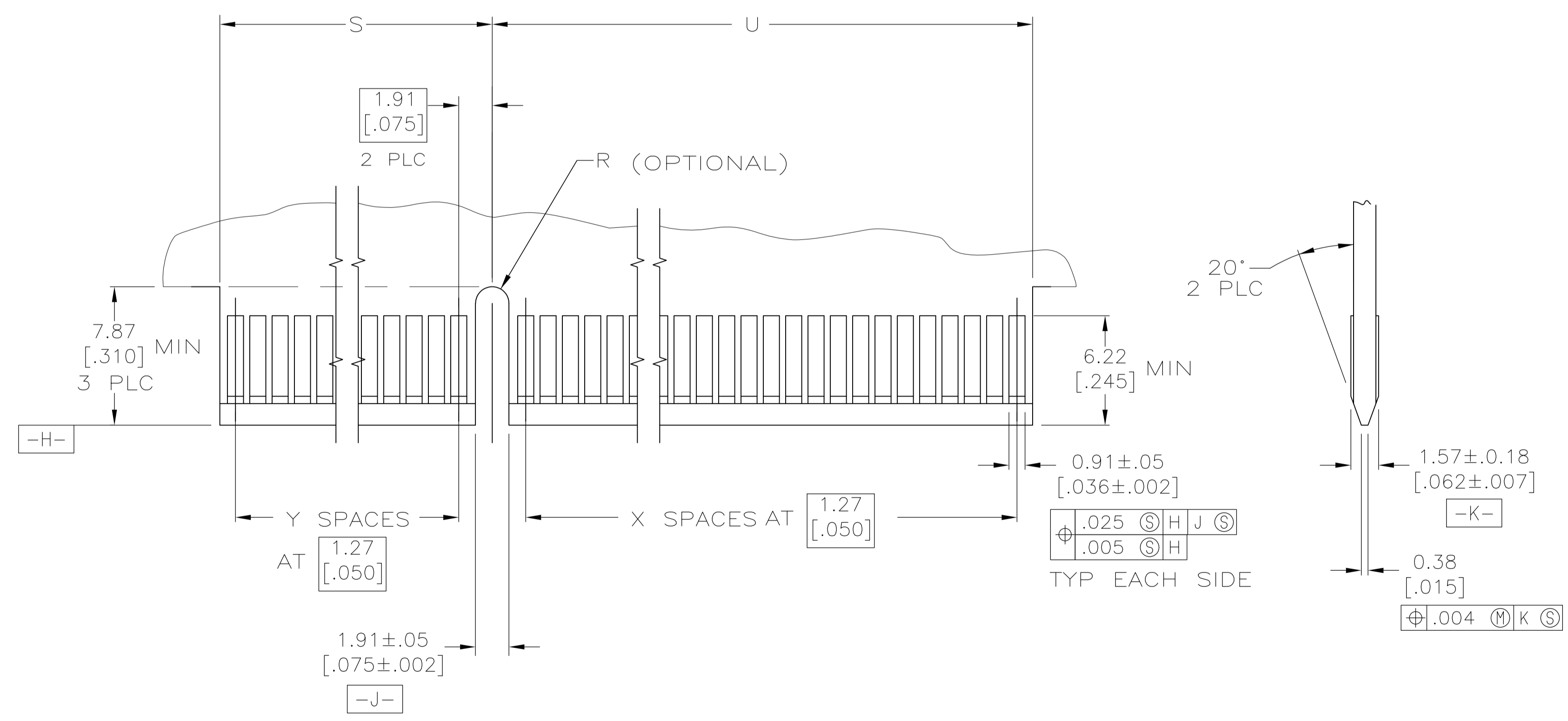
RECOMMENDED CONNECTOR MOUNTING HOLE PATTERN A  
(CONNECTOR SIDE SHOWN)



RECOMMENDED CONNECTOR MOUNTING HOLE PATTERN B  
(CONNECTOR SIDE SHOWN)



RECOMMENDED CONNECTOR MOUNTING HOLE PATTERN C



RECOMMENDED MATING BOARD EDGE CONFIGURATION  
(CONNECTOR SIDE SHOWN)

THIS DRAWING IS A CONTROLLED DOCUMENT.		DIN AL FRANTUM 24 JAN 05	TE Connectivity
DIMENSIONS: mm		OK AL FRANTUM 24 JAN 05	
TOLERANCES UNLESS OTHERWISE SPECIFIED:		APVD	NAME
0 PLC ± -		PRODUCT SPEC	CONNECTOR ASSEMBLY, DUAL POSITION, .050 SEERIES
1 PLC ± -		108-14034	SIZE
2 PLC ± -		APPLICATION SPEC	A1
3 PLC ± -		114-26012	CAGE CODE
4 PLC ± -		WEIGHT	00779
ANGLES ± °		SCALE	5:1
MATERIAL SEE SHEET 1	FINISH SEE SHEET 1	RESTRICTED TO	2 OF 2
CUSTOMER DRAWING		SCALE	REV P