

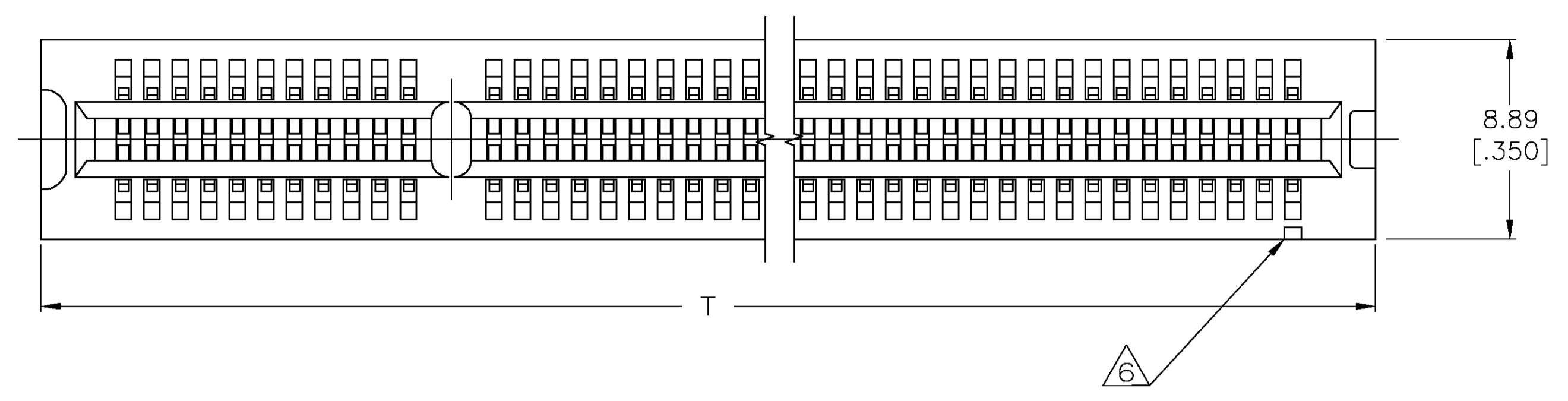
Distributed by:

**JAMECO**<sup>®</sup>  
ELECTRONICS

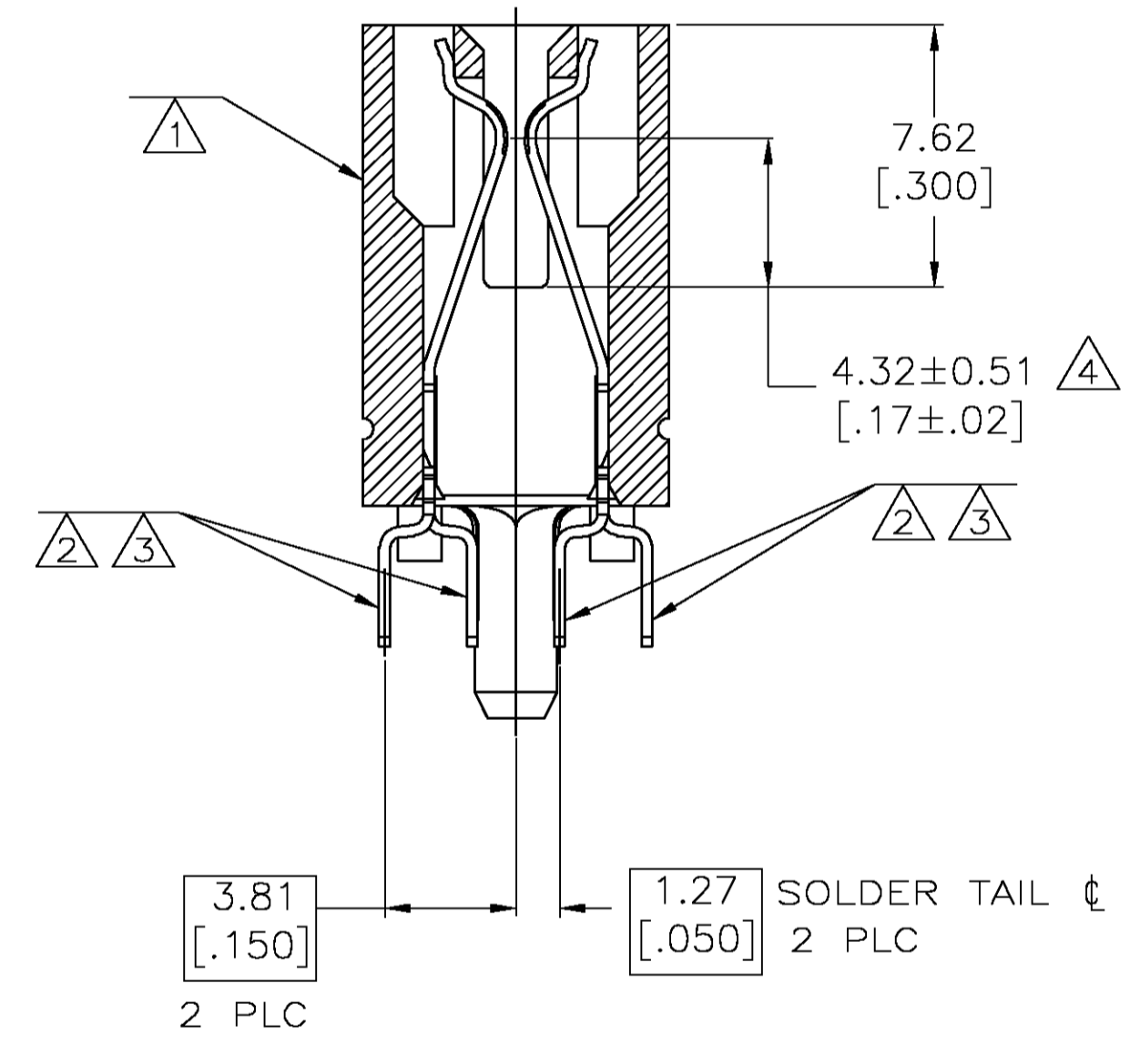
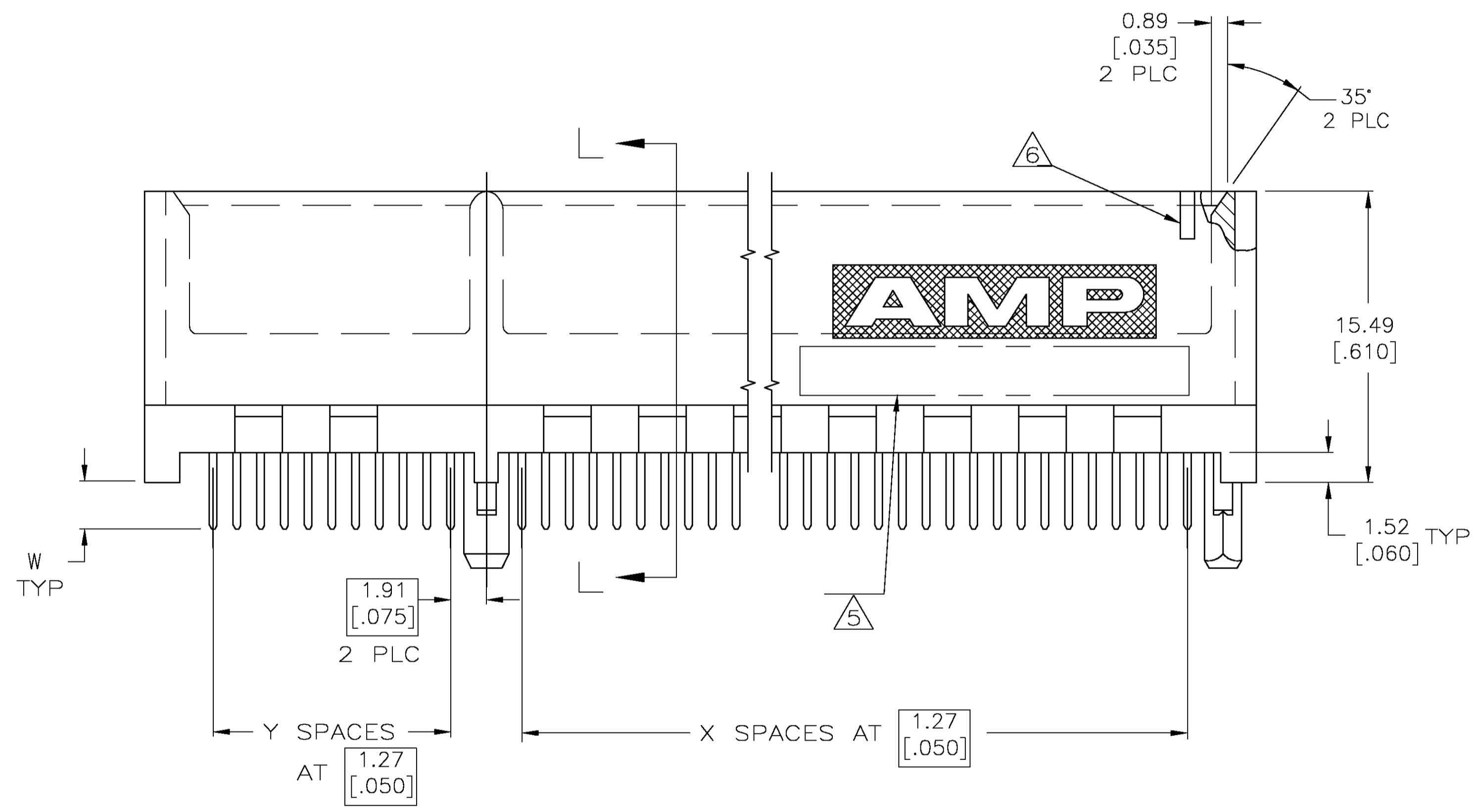
**www.Jameco.com ♦ 1-800-831-4242**

The content and copyrights of the attached  
material are the property of its owner.

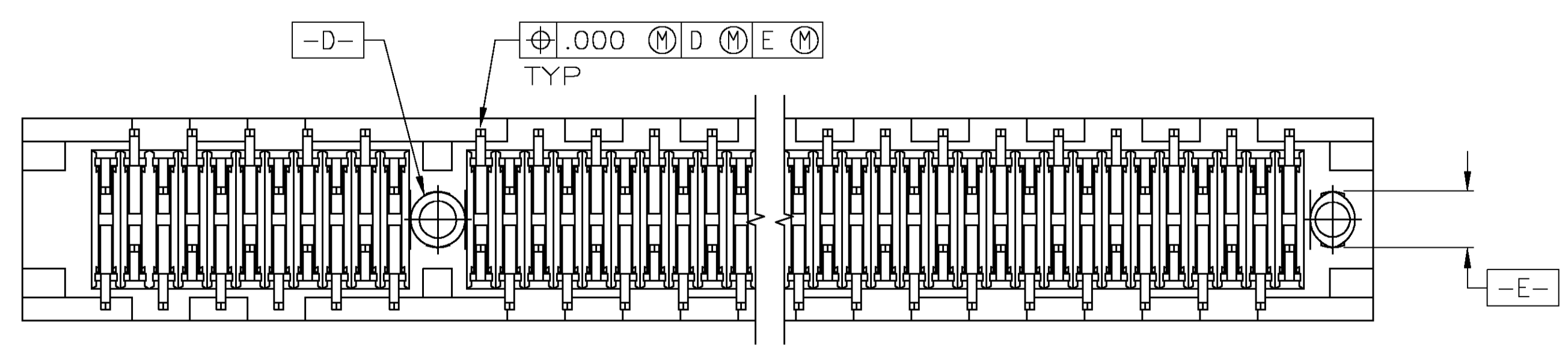
Jameco Part Number 1974683



- ① HOUSING: HIGH TEMPERATURE THERMOPLASTIC. COLOR: BROWN.
- ② CONTACT: PHOSPHOR BRONZE.
- ③ CONTACT FINISH: .000100 MIN NICKEL ALL OVER. .000030 MIN GOLD OVER NICKEL IN CONTACT AREA. .000100 MIN MATTE TIN OVER NICKEL ON SOLDER TAILS.
- ④ DISTANCE FROM CONTACT POINT TO BOTTOM OF CARD SLOT.
- ⑤ AMP PART NUMBER, DATE CODE AND CSA LOGO MARKED IN APPROXIMATE AREA SHOWN.
- ⑥ PIN ONE IDENTIFIER NOTCH ONLY ON PART NUMBERS INDICATED.



SECTION L-L  
SCALE 8:1



SEE SHEET 2 FOR HOLE PATTERNS

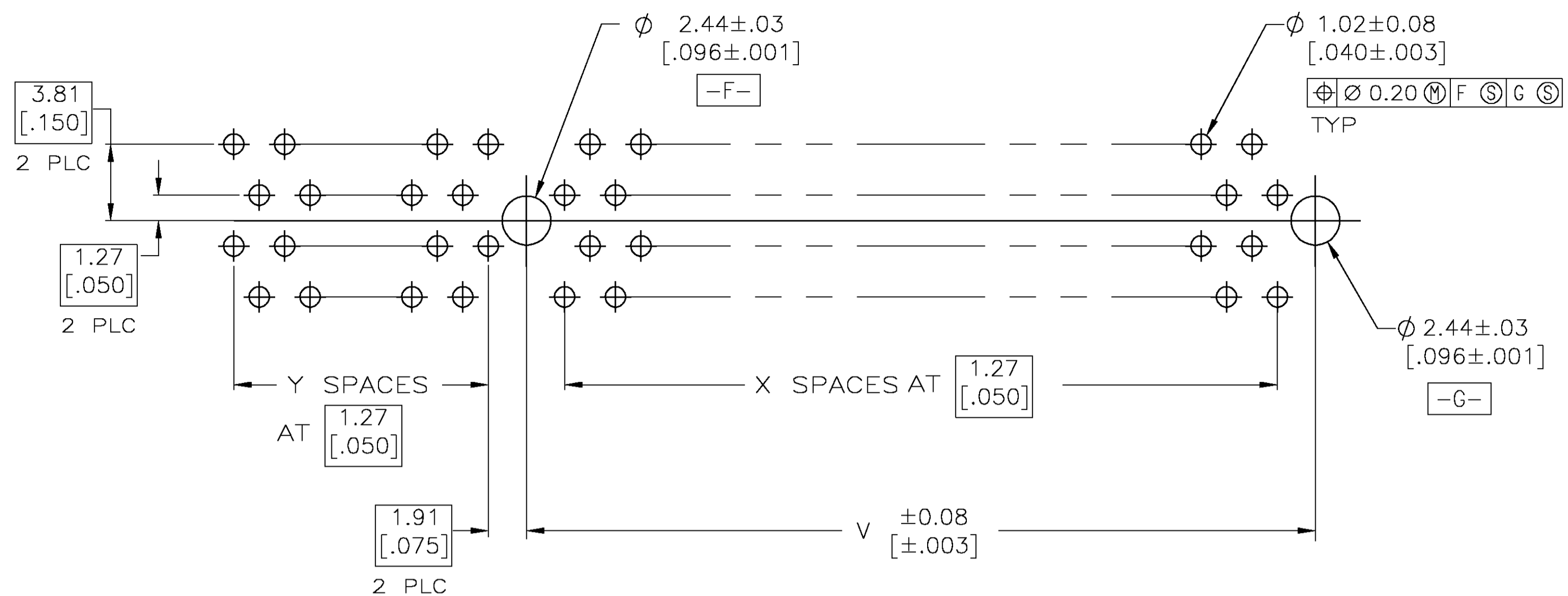
3.18 [.125]	NO	B	45.72 [1.800]	44.70 [1.760]	65.79 [2.59]	15.49 [.610]	10	33	45	1-5650090-4
3.56 [.140]	NO	A	26.67 [1.050]	25.65 [1.010]	46.74 [1.84]	15.49 [.610]	10	18	30	1-5650090-2
3.56 [.140]	NO	C	55.88 [2.200]	54.86 [2.160]	110.24 [4.34]	49.78 [1.960]	37	41	80	1-5650090-1
2.54 [.100]	NO	C	55.88 [2.200]	54.86 [2.160]	110.24 [4.34]	49.78 [1.960]	37	41	80	5650090-9
2.54 [.100]	NO	B	17.78 [.700]	16.76 [.660]	37.85 [1.49]	15.49 [.610]	10	11	23	5650090-7
2.54 [.100]	NO	A	26.67 [1.050]	25.65 [1.010]	46.74 [1.84]	15.49 [.610]	10	18	30	5650090-6
2.54 [.100]	NO	A	39.37 [1.550]	38.35 [1.510]	59.44 [2.34]	15.49 [.610]	10	28	40	5650090-3
2.54 [.100]	NO	B	45.72 [1.800]	44.70 [1.760]	65.79 [2.59]	15.49 [.610]	10	33	45	5650090-2
2.54 [.100]	YES	A	59.69 [2.350]	58.67 [2.310]	79.76 [3.14]	15.49 [.610]	10	44	56	5650090-1
W	PIN ONE IDENTIFIER	HOLE PATTERN	V	U	T	S	Y	X	NO OF DUAL POSN	PART NUMBER

THIS DRAWING IS A CONTROLLED DOCUMENT. DIM AL FRANTUM 24 JAN 05  
 TOLERANCES UNLESS OTHERWISE SPECIFIED: DIM AL FRANTUM 24 JAN 05

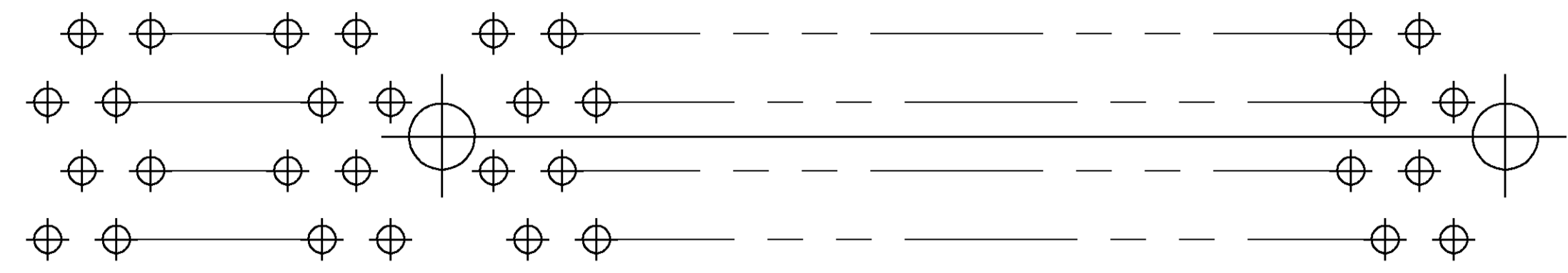
DIMENSIONS: mm	0 PLC ± -	1 PLC ± -	2 PLC ± 0.25 [.010]	3 PLC ± 0.12 [.005]	4 PLC ± - z	ANGLES ± - z	FINISH
PRODUCT SPEC	108-14034						
APPLICATION SPEC	114-26012						
MATERIAL	A1 00779 5650090						
WEIGHT	-						
CUSTOMER DRAWING	SCALE 5:1 SHEET 1 OF 2 REV 0						

tyco Electronics Tyco Electronics Corporation  
 Harrisburg, Pa 17105-3608

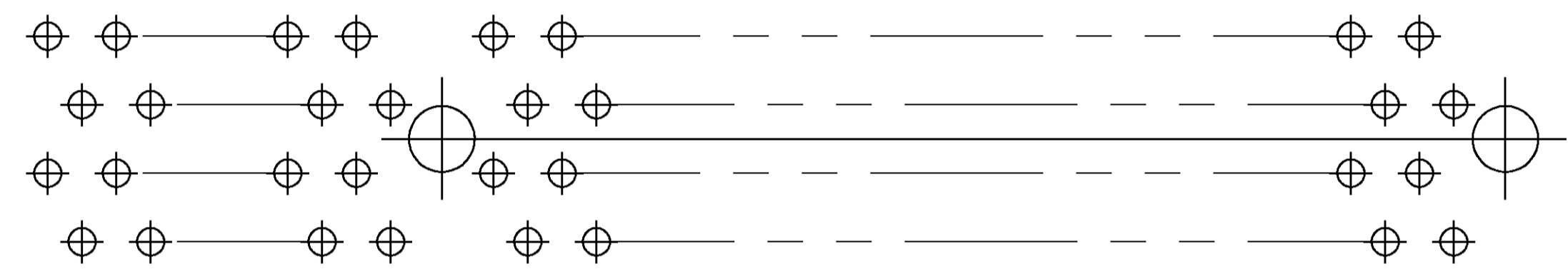
CONNECTOR ASSEMBLY, DUAL POSITION, .050 SERIES



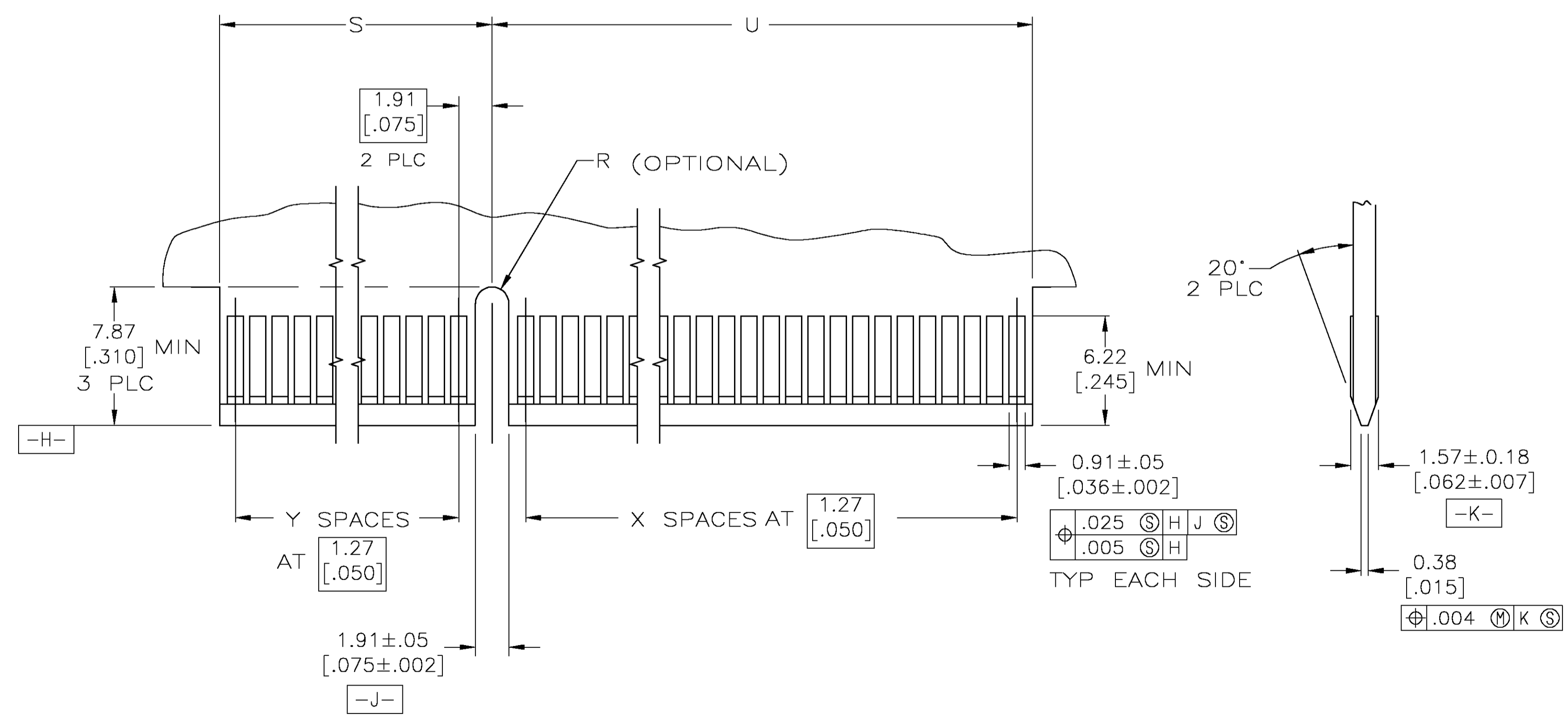
RECOMMENDED CONNECTOR MOUNTING HOLE PATTERN A  
 (CONNECTOR SIDE SHOWN)



RECOMMENDED CONNECTOR MOUNTING HOLE PATTERN B  
 (CONNECTOR SIDE SHOWN)



RECOMMENDED CONNECTOR MOUNTING HOLE PATTERN C



RECOMMENDED MATING BOARD EDGE CONFIGURATION  
 (CONNECTOR SIDE SHOWN)

THIS DRAWING IS A CONTROLLED DOCUMENT.		DIN AL FRANTUM 24 JAN 05		Tyco Electronics Corporation Harrisburg, Pa 17105-3608	
DIMENSIONS: mm		AL FRANTUM 24 JAN 05		NAME	CONNECTOR ASSEMBLY, DUAL POSITION, .050 SEERIES
TOLERANCES UNLESS OTHERWISE SPECIFIED:		APVD	PRODUCT SPEC	SIZE	RESTRICTED TO
0 PLC	± -		108-14034	A1	
1 PLC	± -		APPLICATION SPEC	CAGE CODE	DRAWING NO
2 PLC	± -		114-26012	00779	5650090
3 PLC	± -		WEIGHT		
4 PLC	± ± Z				
ANGLES	± ± Z				
MATERIAL	FINISH	SEE SHEET 1	CUSTOMER DRAWING	SCALE	SHEET
SEE SHEET 1	SEE SHEET 1			5:1	2 OF 2