

5650861-4 Product Details

No Image Available

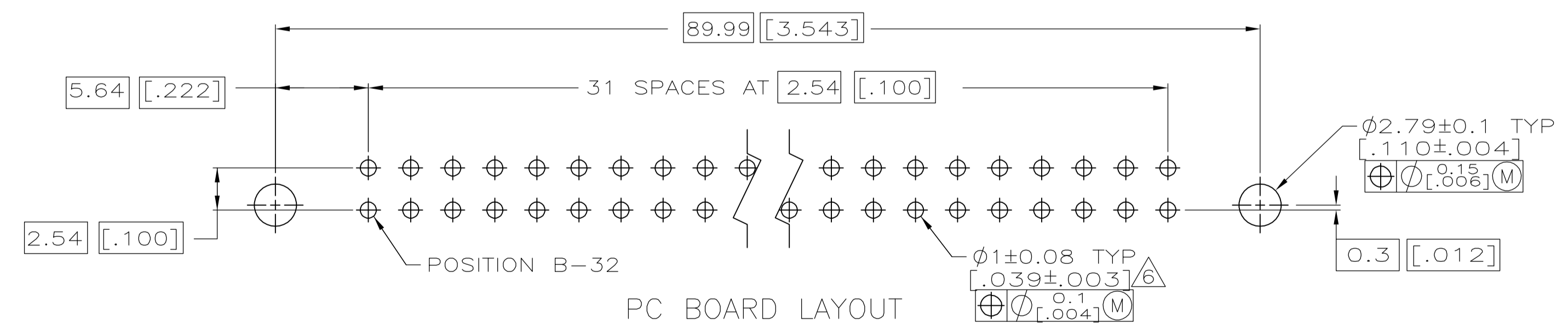
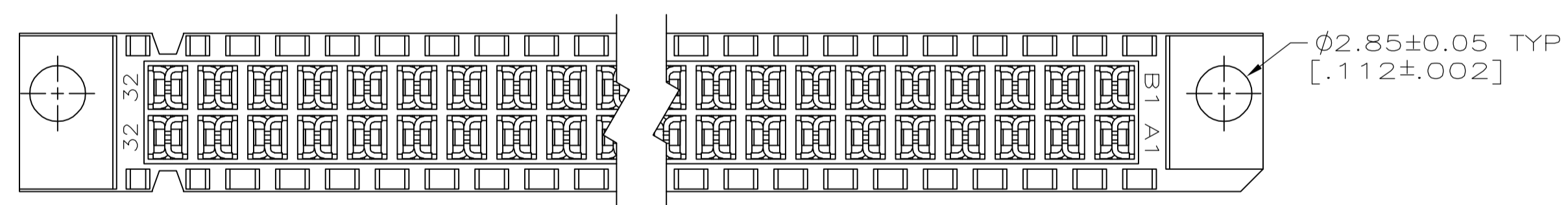
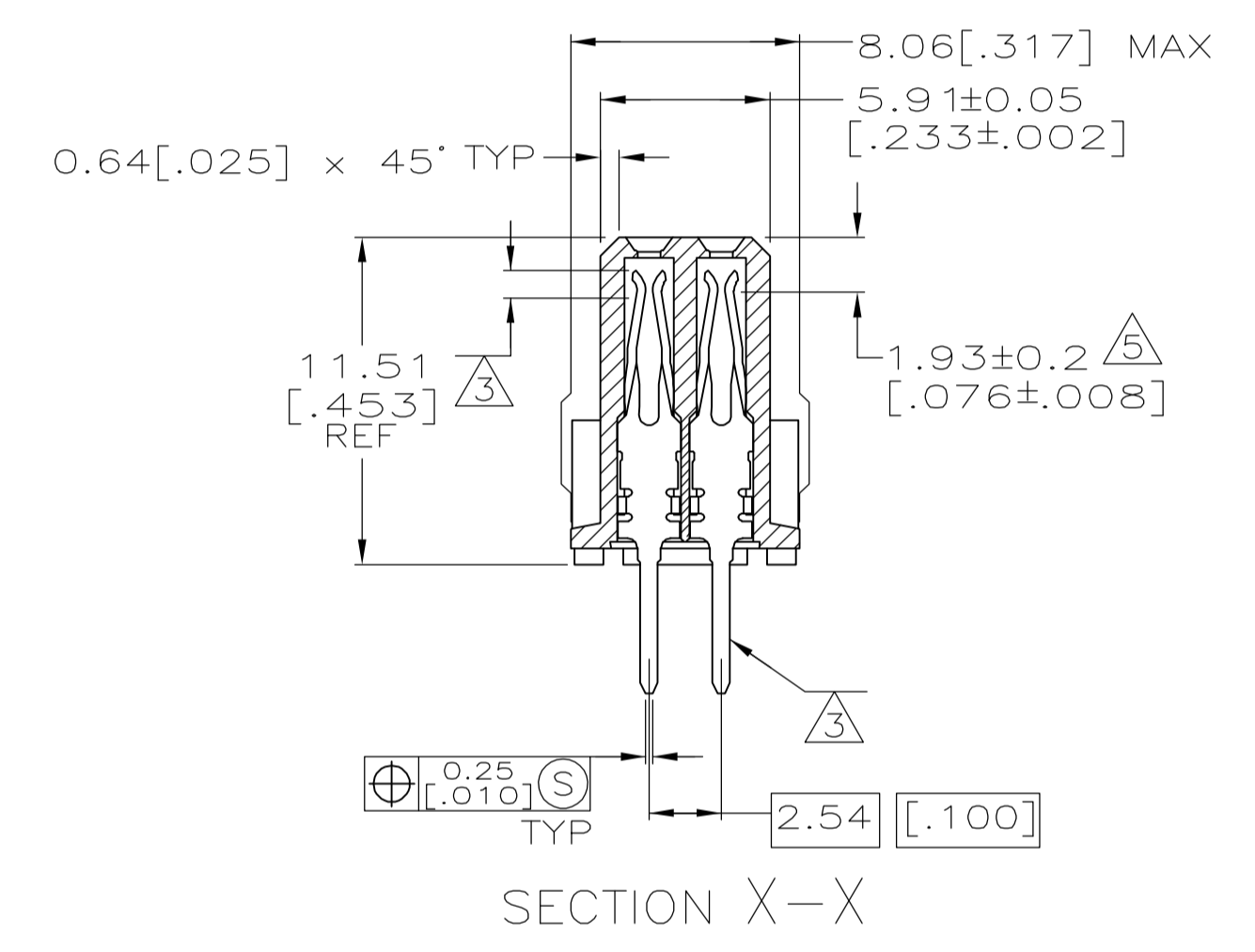
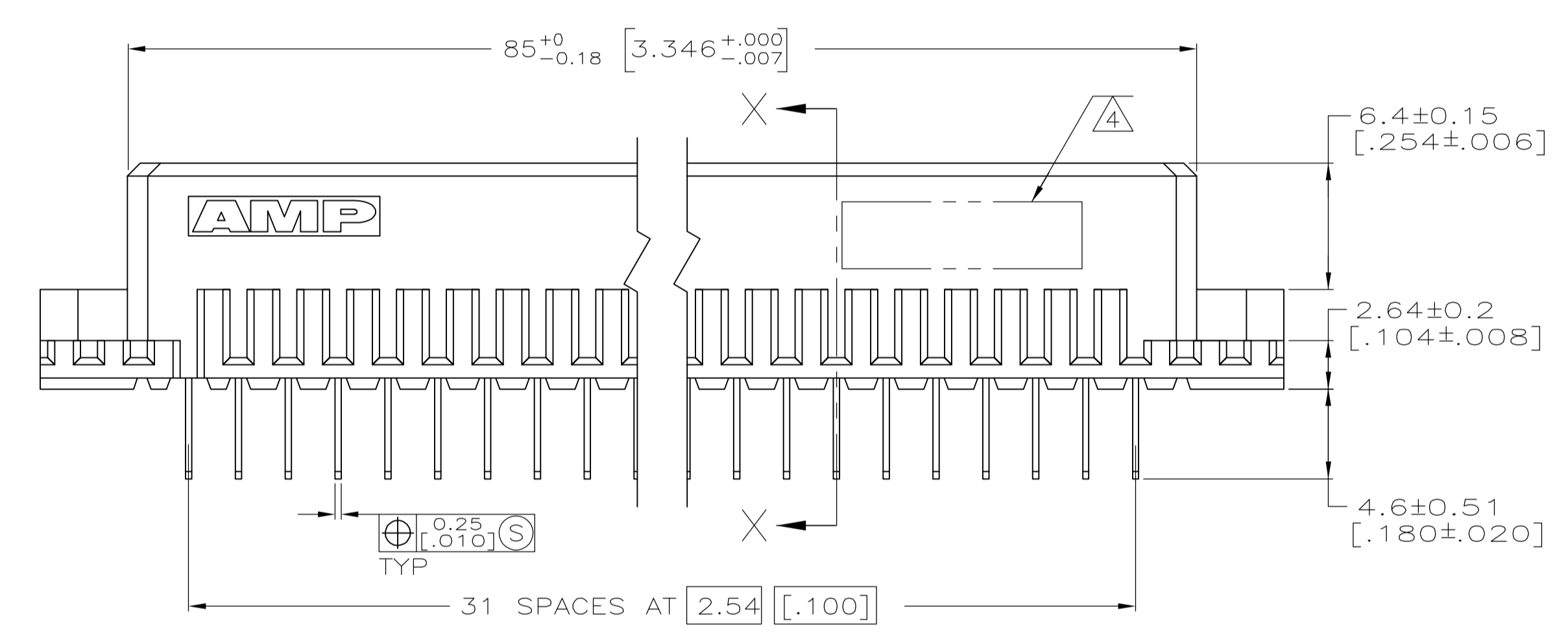
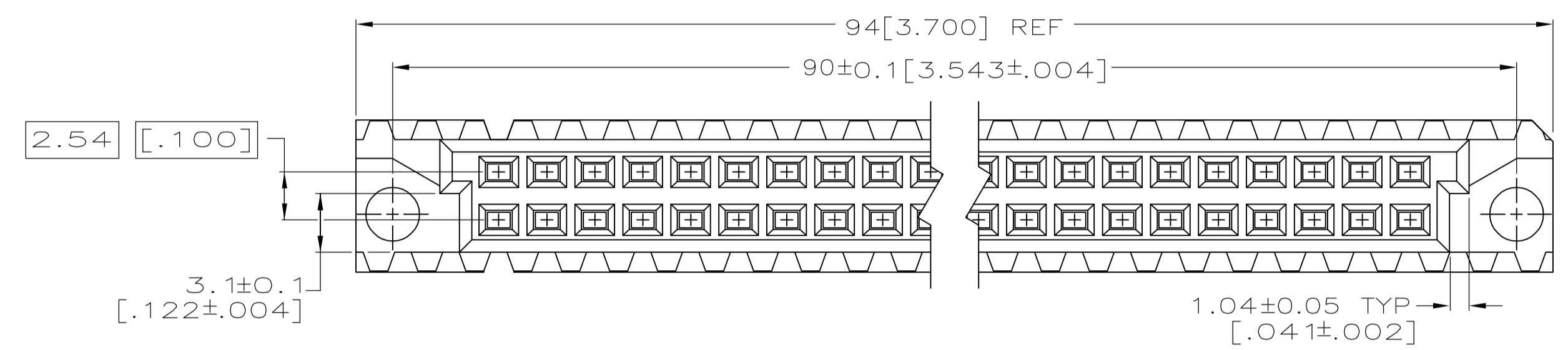
5650861-4

TE Internal Number: 5650861-4



Documentation & Additional Information	
<p>Product Drawings:</p> <ul style="list-style-type: none">ASSEMBLY, RECEPTACLE, EUROCARD, TYPE B, LEAD-FREE, 6... (PDF, English) <p>Catalog Pages/Data Sheets:</p> <ul style="list-style-type: none">None Available <p>Product Specifications:</p> <ul style="list-style-type: none">None Available <p>Application Specifications:</p> <ul style="list-style-type: none">Eurocard Connectors Types B,C,M,Q,R, & Enhanced Typ... (PDF, English) <p>Instruction Sheets:</p> <ul style="list-style-type: none">None Available <p>CAD Files: (CAD Format & Compression Information)</p> <ul style="list-style-type: none">2D Drawing (DXF, Version 0)3D Model (IGES, Version 0)3D Model (STEP, Version 0)	<p>Related Products:</p> <ul style="list-style-type: none">Tooling

- ① HOUSING MATERIAL: GLASS-FILLED POLYMER.
- ② CONTACT MATERIAL: COPPER ALLOY.
- ③ CONTACT FINISH: DIN 41612 CLASS 2 IN CONTACT AREA. TIN PLATE ON POSTS.
- ④ PART NUMBER, DATE CODE IDENTIFICATION, CSA LOGO IN THIS APPROXIMATE AREA, ON REVERSE SIDE.
- ⑤ CONTACT POINT.
- ⑥ RECOMMENDED HOLE SIZE FOR MANUAL APPLICATION OF CONNECTOR ONTO PC BOARD.



1 THRU 32	X	X	64	5650861-5
1 THRU 32	X	X	64	5650861-4
POSITIONS LOADED	B	A	NO. OF LOADED POSITION	ASSY PART NUMBER
	ROWS LOADED			

THIS DRAWING IS A CONTROLLED DOCUMENT.		DIN J. POLIGNONE 03JUN05		Tyco Electronics Corporation Harrisburg, Pa 17105-3608	
DIMENSIONS: mm [INCHES]		TOLERANCES UNLESS OTHERWISE SPECIFIED:		APVD A. SHARPE 03JUN05	
0 PLC	± -	1 PLC	± -	NAME ASSEMBLY, RECEPTACLE, EUROCARD, TYPE B, LEAD-FREE, 64 POSITION, 4.57 [.180] SOLDER POSTS	
2 PLC	± -	3 PLC	± 0.1 [.005]	APPLICATION SPEC	
4 PLC	± -	ANGLES	± -	SIZE A1	CAGE CODE 00779
MATERIAL	① ②	FINISH	③	DRAWING NO. C=5650861	RESTRICTED TO
CUSTOMER DRAWING			SCALE 4:1	SHEET 1 OF 1	REV 0