



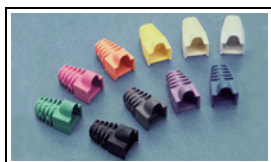
Have a Question?
 Chat with a Product
 Information Specialist

What can we help you find?

[Products](#) [Industries](#) [Resources](#) [About TE](#) [My Account](#) [Innovation](#) [Support Center](#)

569875-5 Product Details

[Share](#) [Print](#) [Email](#)



569875-5

TE Internal Number: 569875-5

Active

[View 3D PDF](#)

Modular Plugs and Accessories

Always EU RoHS/ELV Compliant (Statement of Compliance)

Product Highlights:

- Accessory
- Accessory Type = Boot
- Performance Category = Cat 3, Cat 5, Cat 5e
- Not Shielded
- Cable Diameter Range = 5.30 mm

[View all Features](#)

Quick Links

- [Pricing & Availability](#)
- [Search for Tooling](#)
- [Product Feature Selector](#)
- [Contact Us About This Product](#)

[Add to My Part List](#) [Request Sample](#) [Find Similar Products](#) [Buy Product](#)

Documentation & Additional Information	
<p>Product Drawings:</p> <ul style="list-style-type: none"> • BOOT, HOODED, %%c.210 (PDF, English) <p>Catalog Pages/Data Sheets:</p> <ul style="list-style-type: none"> • None Available <p>Product Specifications:</p> <ul style="list-style-type: none"> • None Available <p>Application Specifications:</p> <ul style="list-style-type: none"> • Modular Plug Connectors (Standard and Small Conductor) (PDF, English) <p>Instruction Sheets:</p> <ul style="list-style-type: none"> • None Available <p>CAD Files: (CAD Format & Compression Information)</p> <ul style="list-style-type: none"> • 2D Drawing (DXF, Version E) • 3D Model (IGES, Version E) • 3D Model (STEP, Version E) 	<p>Additional Information:</p> <ul style="list-style-type: none"> • Product Line Information <p>Related Products:</p> <ul style="list-style-type: none"> • Tooling

[List all Documents](#)

Product Features (Please use the Product Drawing for all design activity)	
<p>Product Type Features:</p> <ul style="list-style-type: none"> • Product Type = Accessory • Accessory Type = Boot • Performance Category = Cat 3, Cat 5, Cat 5e <p>Electrical Characteristics:</p> <ul style="list-style-type: none"> • Shielded = No <p>Dimensions:</p> <ul style="list-style-type: none"> • Cable Diameter Range (mm [in]) = 5.30 [0.209] <p>Body Features:</p> <ul style="list-style-type: none"> • Boot Type = Snagless • Boot Color = Blue <p>Configuration Features:</p> <ul style="list-style-type: none"> • Number of Positions = 8 	<p>Industry Standards:</p> <ul style="list-style-type: none"> • RoHS/ELV Compliance = RoHS compliant, ELV compliant • Lead Free Solder Processes = Not relevant for lead free process • RoHS/ELV Compliance History = Always was RoHS compliant <p>Conditions for Usage:</p> <ul style="list-style-type: none"> • For Cable Diameter (mm [in]) = 5.33 [0.210] <p>Packaging Features:</p> <ul style="list-style-type: none"> • Packaging Method = Carton • Qty./Carton = 1000 <p>Product Availability:</p> <ul style="list-style-type: none"> • Region = Asia, EMEA, Latin America, North America, Australia/New Zealand <p>Other:</p> <ul style="list-style-type: none"> • Brand = AMP • Comment = Use with Unshielded Cat 3, 5 or 5e Plugs.; Maximum Cable Diameter is 0.21 inches (5.33 mm)

Corporate Information

- [About TE](#)
- [Investors](#)
- [News Room](#)
- [Supplier Portal](#)

Quick Links

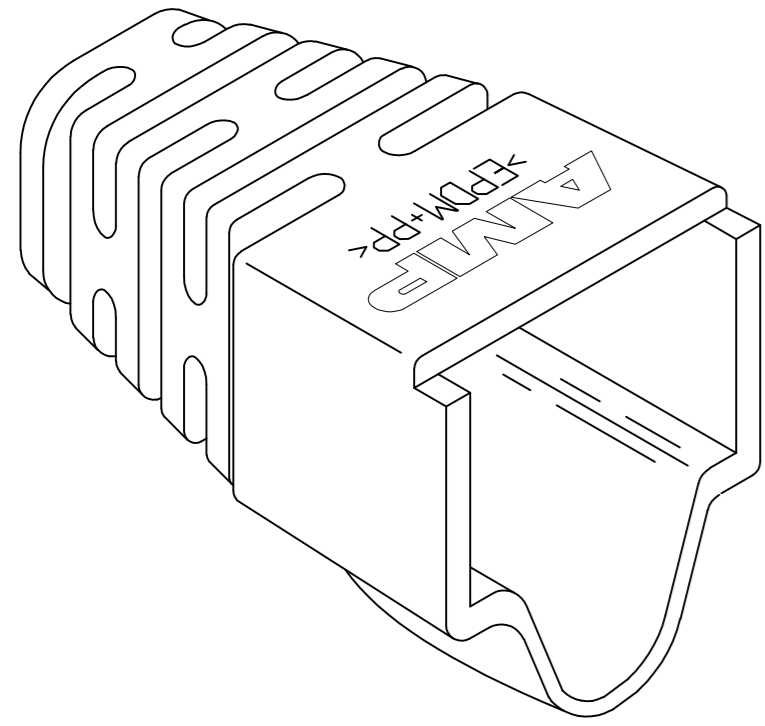
- [Distributor Inventory](#)
- [Product Cross Reference](#)
- [Documents & Drawings](#)
- [Product Compliance Support Center](#)

Customer Support

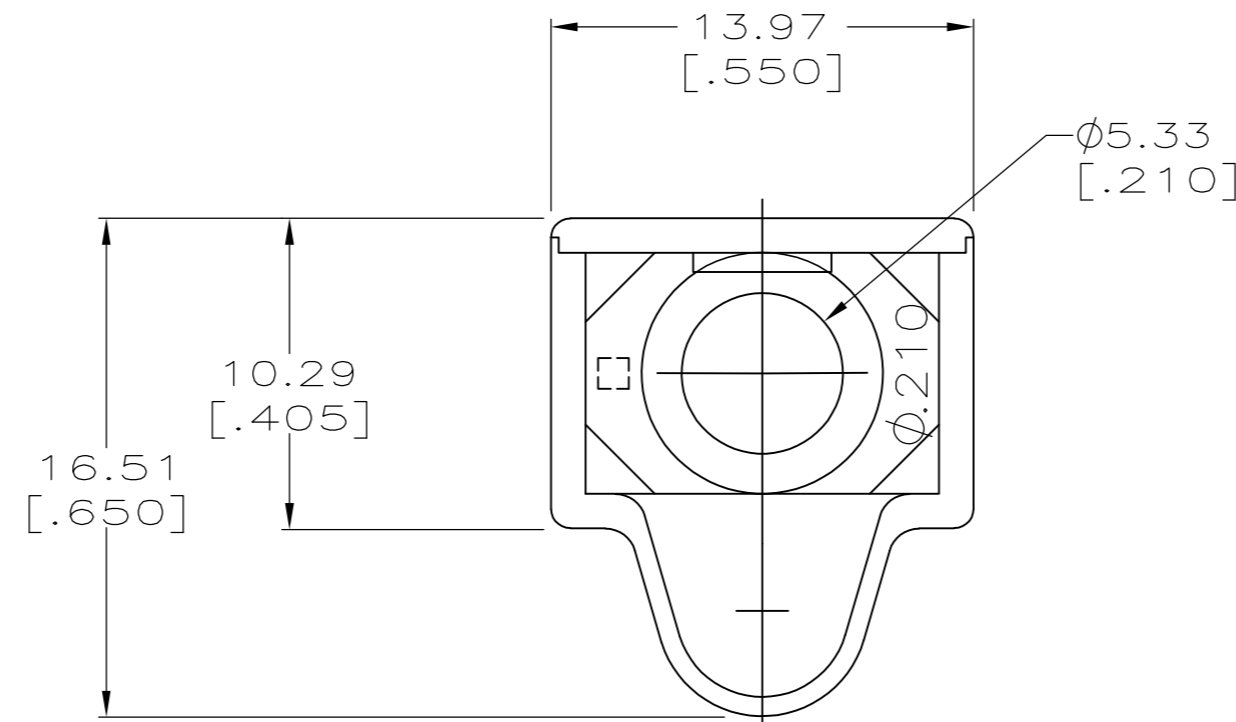
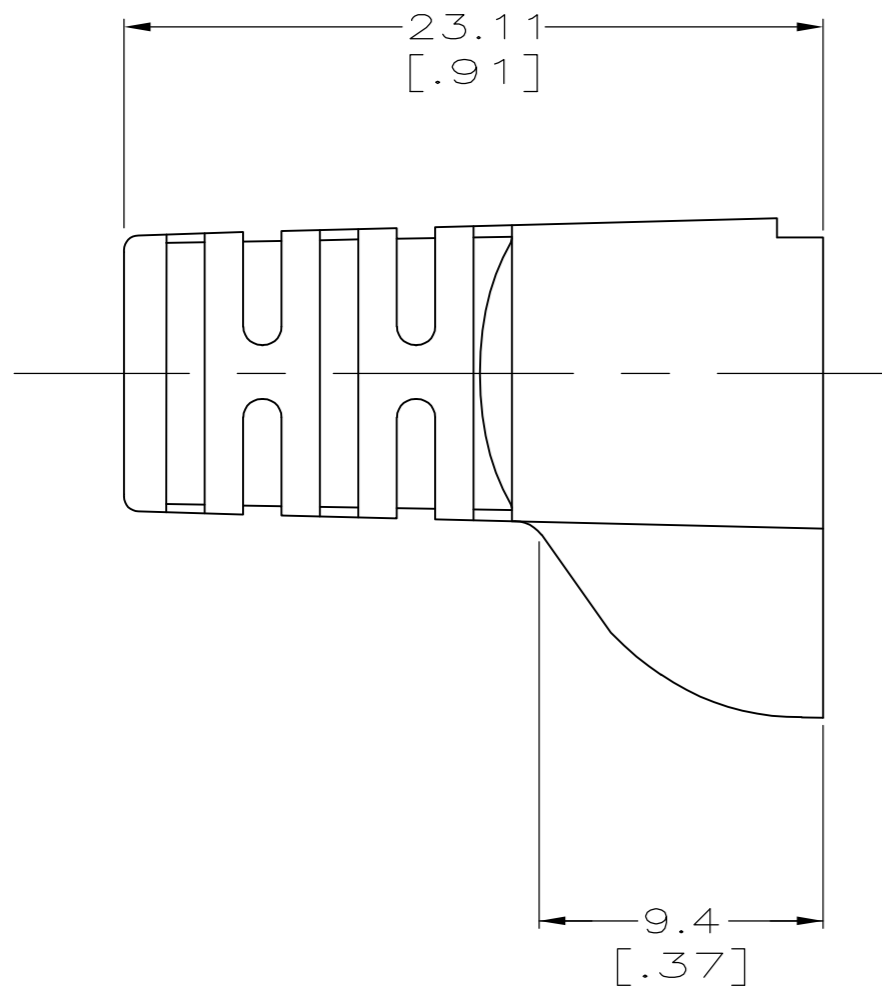
- [Email or Chat With Us](#)
- [Find a Phone Number](#)
- [Knowledge Base](#)
- [Manage Your Account](#)

THIS DRAWING IS UNPUBLISHED. RELEASED FOR PUBLICATION
 © COPYRIGHT - By - ALL RIGHTS RESERVED.

LOC	DIST	REVISIONS					
		P	LTR	DESCRIPTION	DATE	DWN	APVD
AA	28	E2		ECO-13-012375	01AUG2013	JM	JG



- 1 MATERIAL: ELASTOMER POLYOLEFIN, SEE TABLE FOR COLOR.
- 2 DIMENSIONS ARE NOMINAL UNLESS OTHERWISE SPECIFIED.
- 3. BOOT DESIGNED TO FIT CABLE DIAMETER OF .210 NOMINAL.



NEMA GY	1-569875-0
VIOLET	569875-9
WHITE	569875-8
ORANGE	569875-7
YELLOW	569875-6
BLUE	569875-5
GREEN	569875-4
RED	569875-3
LT ALMOND	569875-2
BLACK	569875-1
COLOR	PART NUMBER

THIS DRAWING IS A CONTROLLED DOCUMENT.		DWN DL DRUMMOND 22 FEB 96	TE TE Connectivity																			
		CHK D. AHERON 07 MAR 96																				
		APVD B. ANTHONY 07 MAR 96	NAME BOOT, HOODED, Ø.210																			
DIMENSIONS: mm [INCHES]		TOLERANCES UNLESS OTHERWISE SPECIFIED:		SIZE A2																		
<table border="1"> <tr><td>0 PLC</td><td>±</td><td>-</td></tr> <tr><td>1 PLC</td><td>±</td><td>-</td></tr> <tr><td>2 PLC</td><td>±</td><td>-</td></tr> <tr><td>3 PLC</td><td>±</td><td>-</td></tr> <tr><td>4 PLC</td><td>±</td><td>-</td></tr> <tr><td>ANGLES</td><td>±</td><td>-</td></tr> </table>		0 PLC	±	-	1 PLC	±	-	2 PLC	±	-	3 PLC	±	-	4 PLC	±	-	ANGLES	±	-	PRODUCT SPEC		CAGE CODE 00779
0 PLC	±	-																				
1 PLC	±	-																				
2 PLC	±	-																				
3 PLC	±	-																				
4 PLC	±	-																				
ANGLES	±	-																				
MATERIAL		FINISH		DRAWING NO C=569875																		
		WEIGHT		RESTRICTED TO																		
		CUSTOMER DRAWING		SCALE 4:1 SHEET 1 OF 1 REV E2																		