



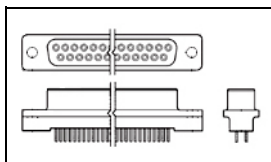
Have a Question?
 Chat with a Product
 Information Specialist

What can we help you find?

[Products](#) [Industries](#) [Resources](#) [About TE](#) [My Account](#) [Innovation](#) [Support Center](#)

5745059-4 Product Details

[Share](#) [Print](#) [Email](#)



5745059-4

TE Internal Number: 5745059-4

Active

Standard Board Mount Connectors

Always EU RoHS/ELV Compliant (Statement of Compliance)

Product Highlights:

- 37 Positions
- Connector Style = Receptacle
- PCB Mounting Orientation = Vertical
- Product Series = HD 20
- With Mating Connector Lock

[View all Features](#)

Quick Links

- [Pricing & Availability](#)
- [Search for Tooling](#)
- [View Mating Products \(2\)](#)
- [Product Feature Selector](#)
- [Contact Us About This Product](#)

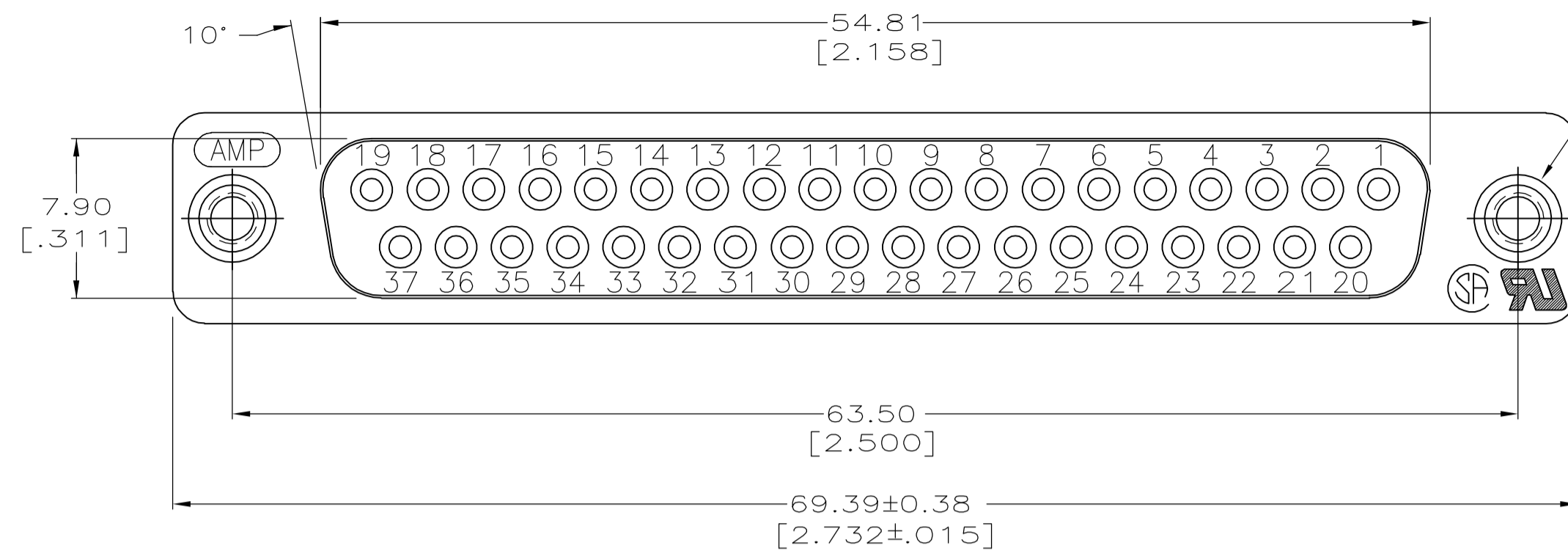
[Add to My Part List](#) [Request Sample](#) [Find Similar Products](#) [Buy Product](#)

Documentation & Additional Information	
<p>Product Drawings:</p> <ul style="list-style-type: none"> • RECEPTACLE ASSEMBLY, SIZE 4, 37 POSN, VERTICAL, AMPL... (PDF, English) <p>Catalog Pages/Data Sheets:</p> <ul style="list-style-type: none"> • AMPLIMITE Subminiature D Connectors - Straight Poste... (PDF, English) <p>Product Specifications:</p> <ul style="list-style-type: none"> • None Available <p>Application Specifications:</p> <ul style="list-style-type: none"> • None Available <p>Instruction Sheets:</p> <ul style="list-style-type: none"> • None Available <p>CAD Files:</p> <ul style="list-style-type: none"> • None Available 	<p>Additional Information:</p> <ul style="list-style-type: none"> • Product Line Information <p>Additional Product Images:</p> <ul style="list-style-type: none"> • Product Photo <p>Related Products:</p> <ul style="list-style-type: none"> • Tooling • Mating Products (2)

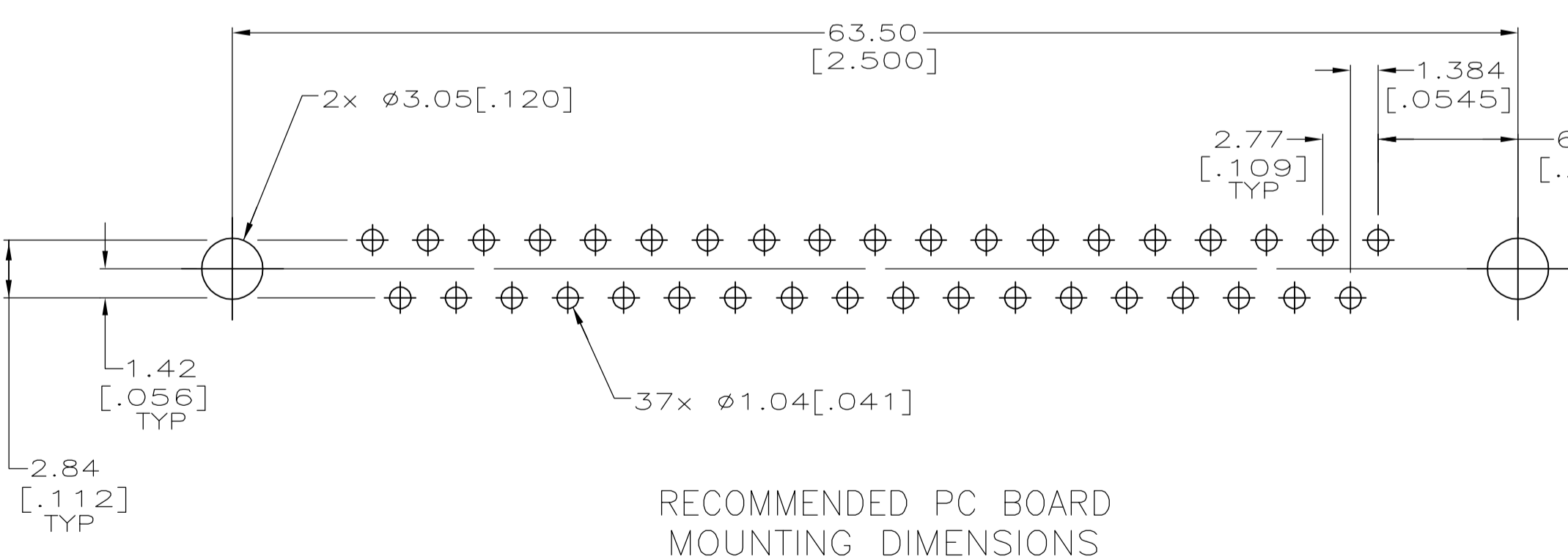
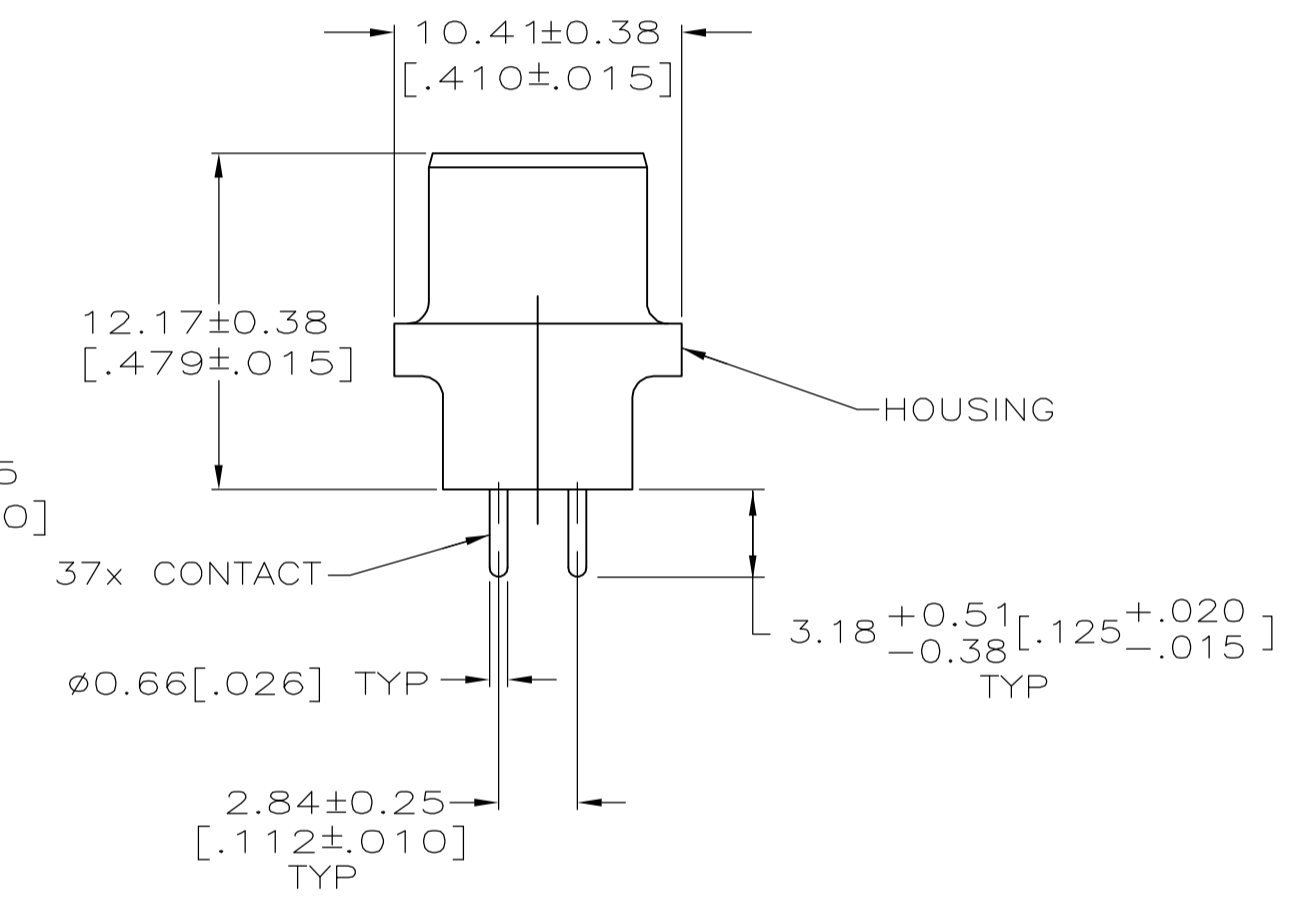
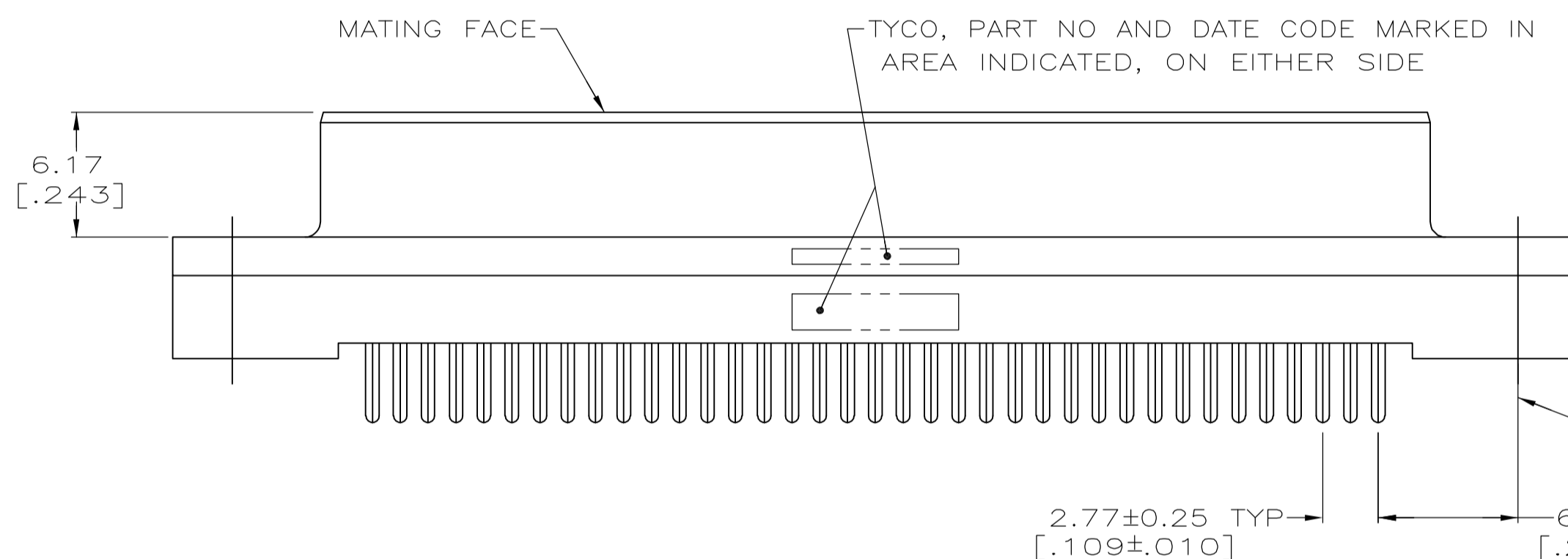
[List all Documents](#)

Product Features (Please use the Product Drawing for all design activity)	
<p>Product Type Features:</p> <ul style="list-style-type: none"> • PCB Mounting Orientation = Vertical • Product Series = HD 20 • Mating Connector Lock = With • Mating Connector Lock Type = Threaded Insert, 4-40 UNC • PCB Mount Retention = With • PCB Mount Retention Type = Mounting Hole(s) • Shell Type = All Plastic • Shell Size = 4 • Grounding Indents = Without • Grounding Straps = Without • PCB Mount Style = Through Hole • Color Code = None • Sealed = No • Profile = Standard • Post Size (mm [in]) = 0.66 [.026] • Mounting Hole Diameter (mm [in]) = 3.05 [.120] • Threaded Insert Material = Brass <p>Mechanical Attachment:</p> <ul style="list-style-type: none"> • Panel Mount Retention = Without <p>Termination Features:</p> <ul style="list-style-type: none"> • Grounding Clips = Without • Termination Post Length (mm [in]) = 3.18 [0.125] • Solder Tail Contact Plating = Tin over Nickel 	<p>Dimensions:</p> <ul style="list-style-type: none"> • PCB Thickness, Recommended (in [mm]) = 0.062 - 0.093 [1.57 - 2.36] <p>Contact Features:</p> <ul style="list-style-type: none"> • Contact Plating, Mating Area, Material = Gold (30) • Contact Shape = Round • Contact Base Material = Phosphor Bronze <p>Housing Features:</p> <ul style="list-style-type: none"> • Connector Style = Receptacle • UL Flammability Rating = UL 94V-0 • Housing Material = Thermoplastic - GF <p>Configuration Features:</p> <ul style="list-style-type: none"> • Number of Positions = 37 <p>Industry Standards:</p> <ul style="list-style-type: none"> • RoHS/ELV Compliance = RoHS compliant, ELV compliant • Lead Free Solder Processes = Wave solder capable to 260°C, Wave solder capable to 240°C, Wave solder capable to 265°C • RoHS/ELV Compliance History = Always was RoHS compliant <p>Operation/Application:</p> <ul style="list-style-type: none"> • Application = Standard <p>Other:</p> <ul style="list-style-type: none"> • Brand = AMP • Comment = All receptacles are preloaded with size 20 DF posted socket contacts

LOC	DIST	REVISIONS					
GP	00	P	LTR	DESCRIPTION	DATE	DWN	APVD
		0		RELEASED PER EC 0513-0087-05	13SEP05	GP	JG



- 2X #4-40 INSERT
- 1 HOUSING: BLACK POLYESTER, UL 94V-0 RATED; CONTACTS: PHOSPHOR BRONZE; INSERTS: BRASS.
- 2 CONTACTS: 0.76 μm [.000030] MIN GOLD FOR A LENGTH OF 2.54 [.100] MIN FROM MATING END, 2.54 μm [.000100] MIN TIN ON OPPOSITE END, ALL OVER 1.27 μm [.000050] MIN NICKEL.



RECOMMENDED PC BOARD MOUNTING DIMENSIONS

**COPYRIGHT 2005
TYCO ELECTRONICS CORP
ALL RIGHTS RESERVED**

5745059-4
PART NO

THIS DRAWING IS A CONTROLLED DOCUMENT.		DWN G.PETERS 13SEP05		Tyco Electronics Corporation Harrisburg, PA 17105-3608	
DIMENSIONS: mm [INCHES]		CHK S.BOLASH 13SEP05		RECEPTACLE ASSEMBLY, SIZE 4, 37 POSN, VERTICAL, AMPLIMITE HD-20	
TOLERANCES UNLESS OTHERWISE SPECIFIED:		APVD M.WALMSLEY 13SEP05	NAME		
0 PLC ± -	1 PLC ± -	PRODUCT SPEC 108-40025	SIZE CAGE CODE DRAWING NO RESTRICTED TO		
2 PLC ± ± 0.13 [.005]	3 PLC ± -	APPLICATION SPEC	A2 00779 C-5745059		
4 PLC ± ± 2'	ANGLES ± ± 2'	FINISH	SCALE 4:1 SHEET 1 OF 1 REV 0		
MATERIAL		WEIGHT	CUSTOMER DRAWING		