

Distributed by:

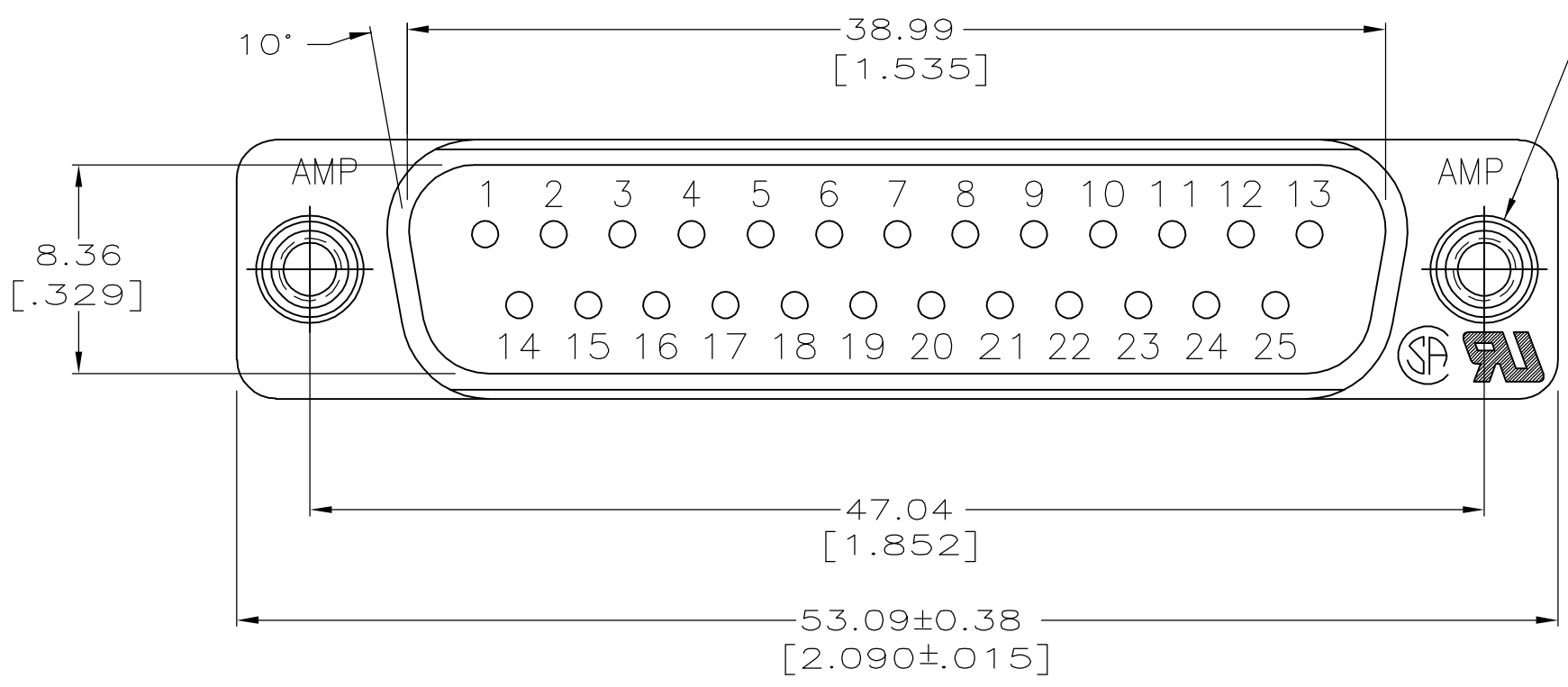
JAMECO[®]
ELECTRONICS

www.Jameco.com ♦ 1-800-831-4242

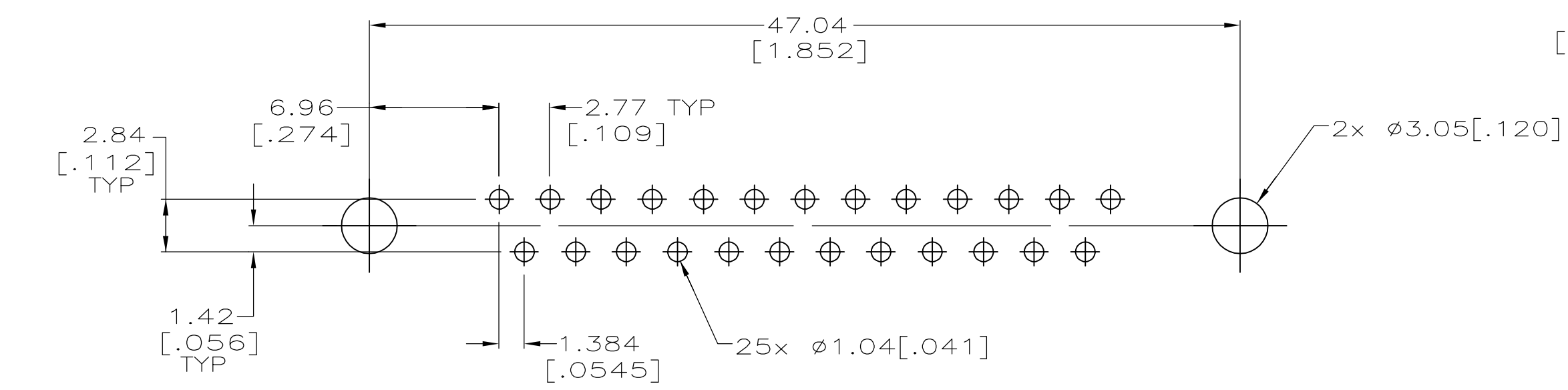
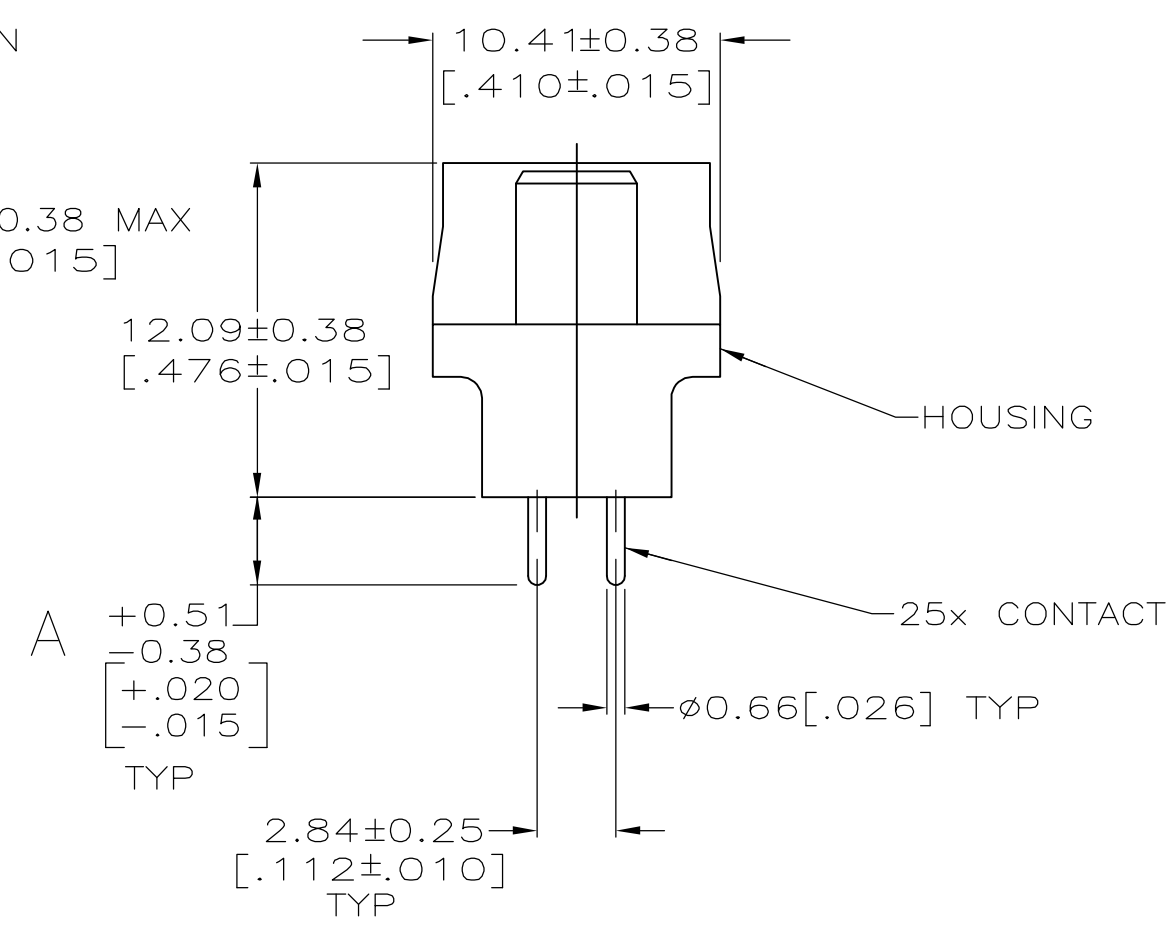
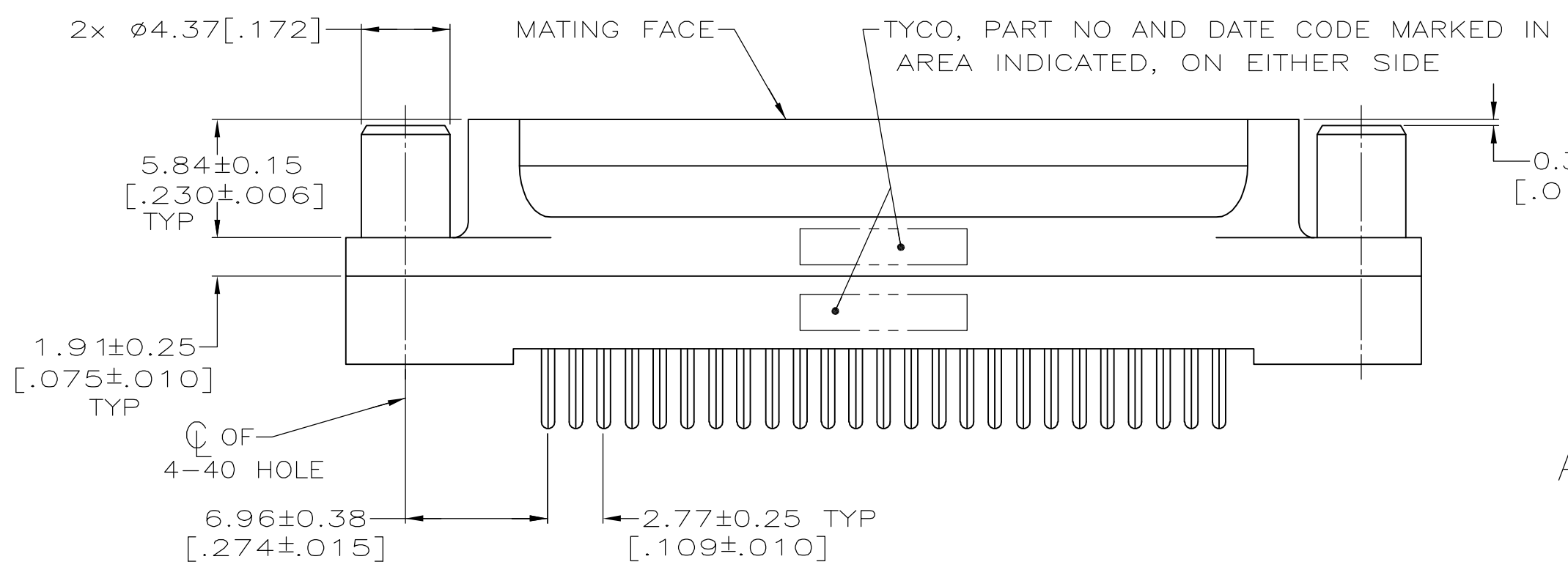
The content and copyrights of the attached
material are the property of its owner.

Jameco Part Number 755059

LOC	DIST	REVISIONS			
P	LTR	DESCRIPTION	DATE	OWN	APVD
GP	00	0	RELEASED PER EC 0513-0087-05	13SEP05	GP JG



- 1 HOUSING: BLACK POLYESTER, UL 94V-0 RATED; CONTACTS: BRASS
SCREWLOCKS: BRASS.
- 2 CONTACTS: SEE TABLE
SCREWLOCKS: 1.27µm[.000050] MIN NICKEL OVER COPPER FLASH.
- 3 GOLD PLATED FOR A LENGTH OF 3.81[.150] MIN FROM MATING END, GOLD FLASH IN MATED AREA, 2.54µm[.000100] MIN TIN ON OPPOSITE END, ALL OVER 1.27µm[.000050] MIN NICKEL.
- 4 GOLD PLATED FOR A LENGTH OF 3.81[.150] FROM MATING END, 0.76µm[.000030] MIN GOLD IN MATED AREA, 2.54µm[.000100] MIN TIN ON OPPOSITE END, ALL OVER 1.27µm[.000050] MIN NICKEL.



RECOMMENDED PC BOARD MOUNTING DIMENSIONS

4.32 [.170]	3	5745073-3
3.18 [.125]	4	5745073-2
3.18 [.125]	3	5745073-1
A	CONTACT FINISH	PART NO

**COPYRIGHT 2005
TYCO ELECTRONICS CORP
ALL RIGHTS RESERVED**

DIMENSIONS:		TOLERANCES UNLESS OTHERWISE SPECIFIED:		MATERIAL		FINISH	
mm	[INCHES]	0 PLC	± -	1 PLC	± -	2 PLC	± 0.13 [0.005]
3	PLC	±	-	3 PLC	±	4 PLC	± - ± 2'
THIS DRAWING IS A CONTROLLED DOCUMENT. DWN: G.PETERS 13SEP05 CHK: S.BOLASH 13SEP05 APVD: M.WALMSLEY 13SEP05 PRODUCT SPEC: 108-40025 APPLICATION SPEC: - WEIGHT: - CUSTOMER DRAWING				Tyco Electronics Corporation Harrisburg, PA 17105-3608 NAME: PLUG ASSEMBLY, SIZE 3, 25 POSN, VERTICAL, AMPLIMITE HD-20 SIZE: A2 CAGE CODE: 00779 DRAWING NO: G-5745073 RESTRICTED TO: - SCALE: 4:1 SHEET: 1 OF 1 REV: 0			