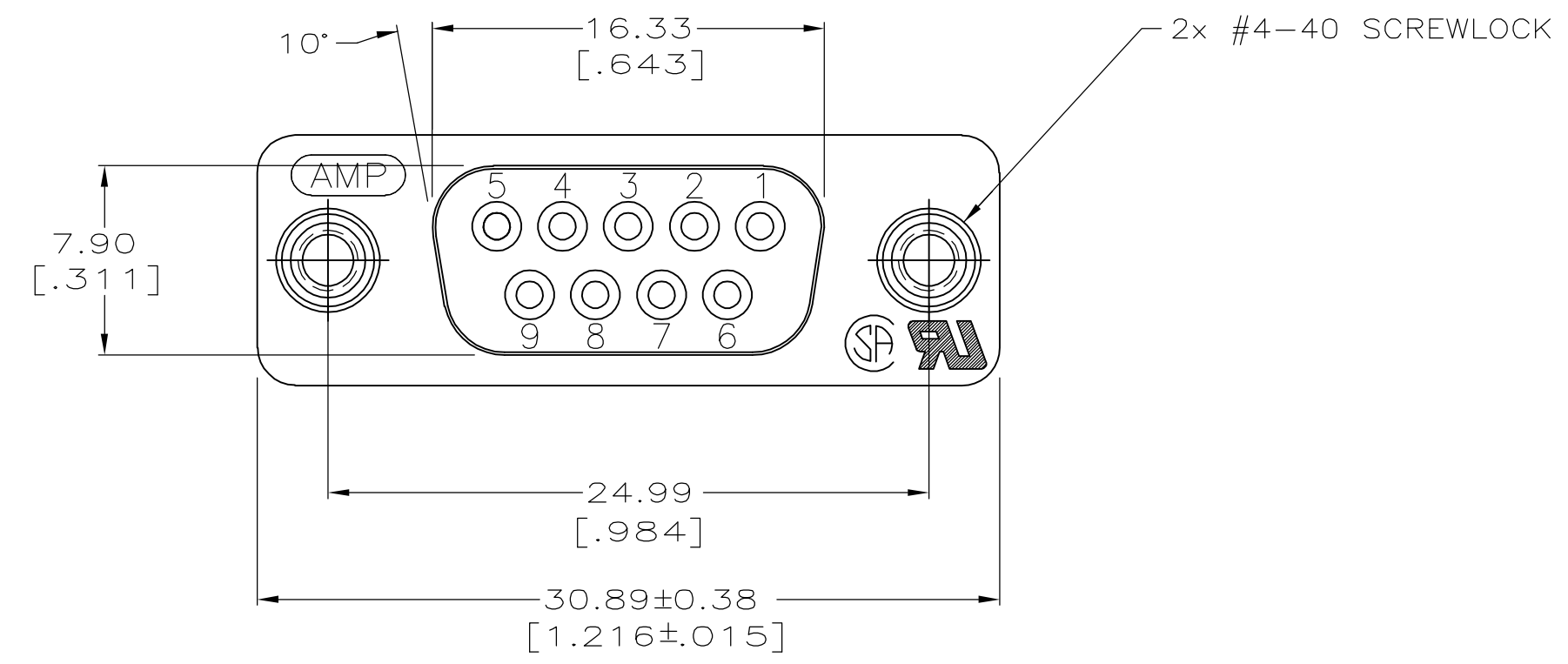
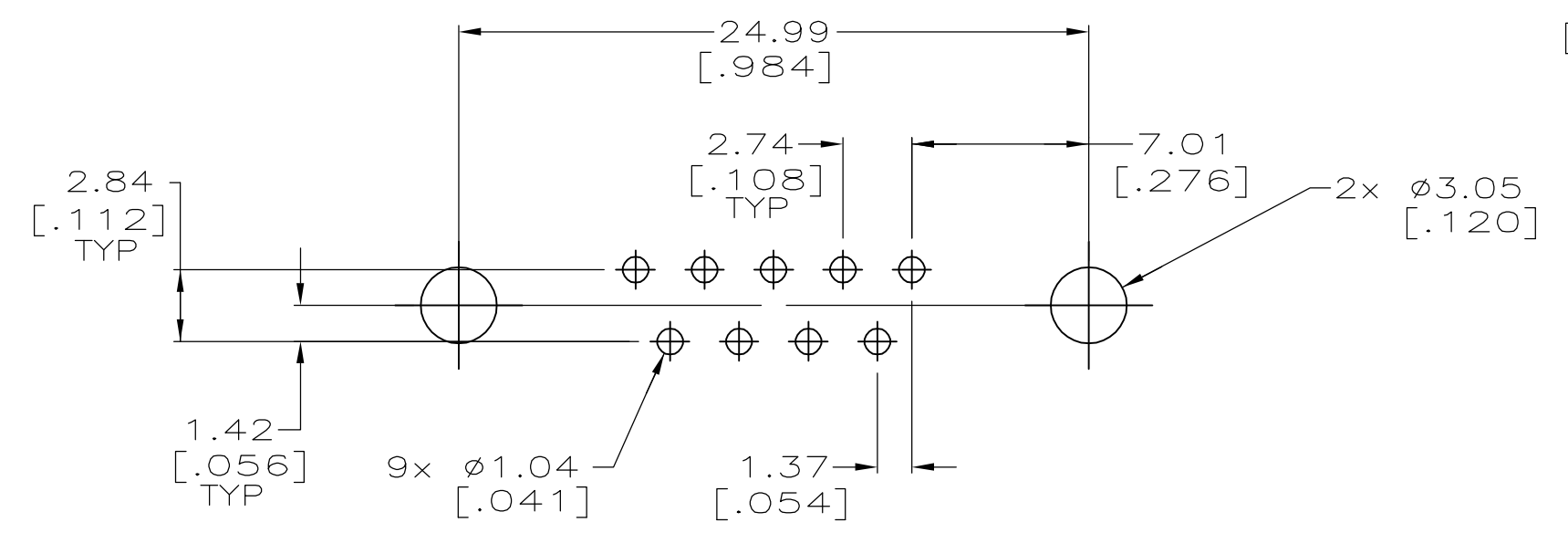
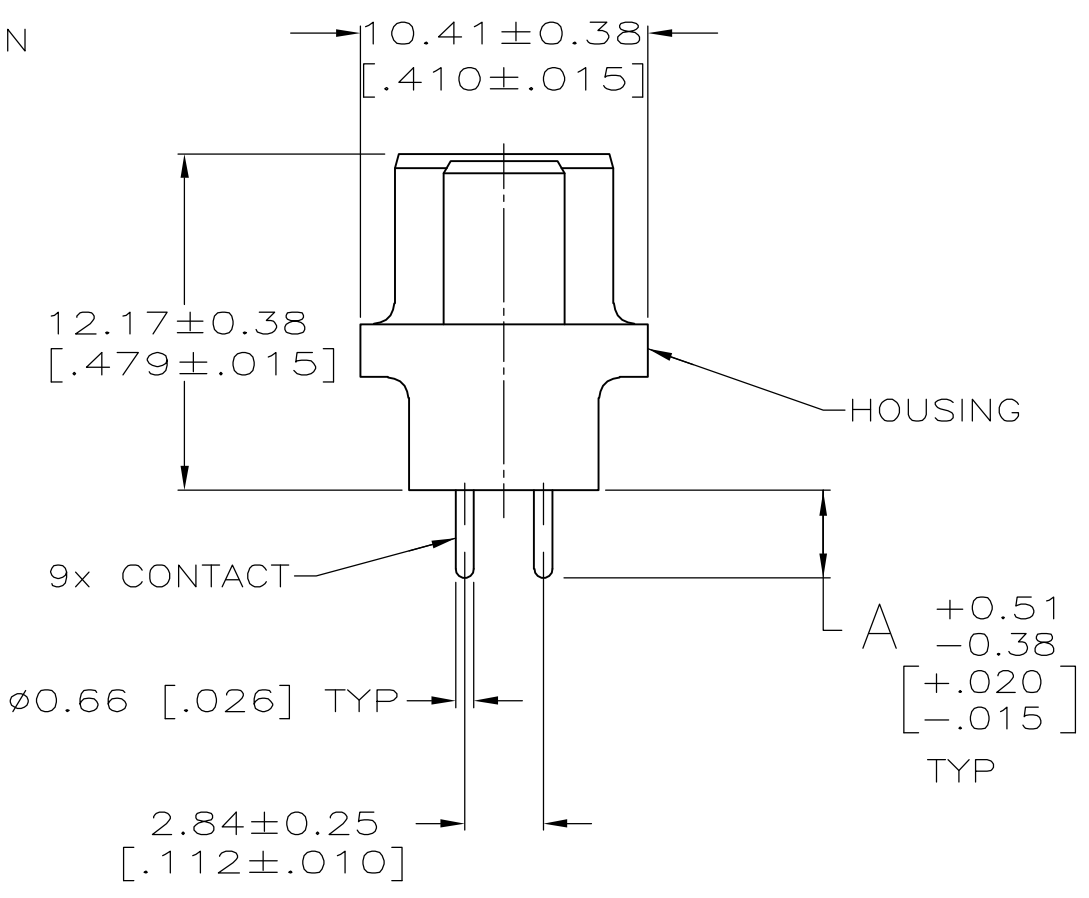
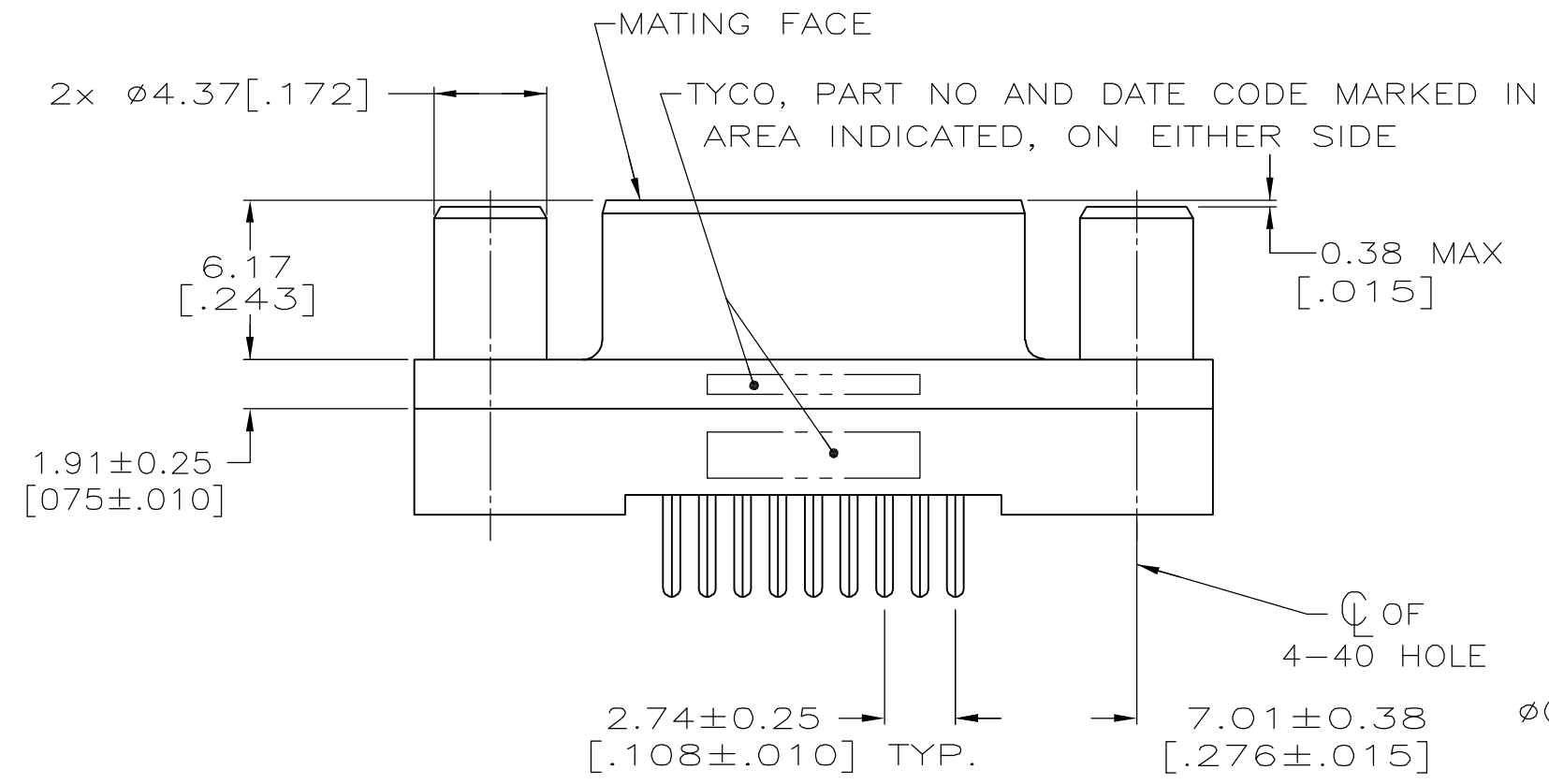


THIS DRAWING IS UNPUBLISHED. RELEASED FOR PUBLICATION
 © COPYRIGHT BY TYCO ELECTRONICS CORPORATION. ALL RIGHTS RESERVED.

LOC	DIST	REVISIONS			
P	LTR	DESCRIPTION	DATE	OWN	APVD
GP	00	0	RELEASED PER EC 0513-0087-05	13SEP05	GP JG



- 1 HOUSING: BLACK POLYESTER, UL 94V-0 RATED.
 CONTACTS: PHOSPHOR BRONZE.
 SCREWLOCKS: BRASS.
- 2 CONTACTS: SEE TABLE.
 SCREWLOCKS: 1.27µm [.000050] MIN NICKEL OVER COPPER FLASH.
- 3 GOLD FLASH FOR A LENGTH OF 2.54 [.100] MIN FROM MATING END, 2.54µm [.000100] MIN TIN ON OPPOSITE END, ALL OVER 1.27µm [.000050] MIN NICKEL.
- 4 0.76µm [.000030] MIN GOLD FOR A LENGTH OF 2.54 [.100] MIN FROM MATING END, 2.54µm [.000100] MIN TIN ON OPPOSITE END, ALL OVER 1.27µm [.000050] MIN NICKEL.



RECOMMENDED PC BOARD MOUNTING DIMENSIONS

**COPYRIGHT 2005
 TYCO ELECTRONICS CORP
 ALL RIGHTS RESERVED**

4.32 [.170]	4	5745076-6
3.18 [.125]	4	5745076-4
3.18 [.125]	3	5745076-3
A	CONTACT FINISH	PART NO

THIS DRAWING IS A CONTROLLED DOCUMENT.		DWN	13SEP05	Tyco Electronics Corporation Harrisburg, PA 17105-3608
DIMENSIONS: mm [INCHES]		CHK	13SEP05	
TOLERANCES UNLESS OTHERWISE SPECIFIED:		APVD	13SEP05	NAME
0 PLC ± -	1 PLC ± -	M.WALMSLEY		PRODUCT SPEC
2 PLC ± -	3 PLC ± 0.13 [.005]	108-40025		APPLICATION SPEC
4 PLC ± -	ANGLES ± ± 2'	-		SIZE
MATERIAL	FINISH	WEIGHT	-	CAGE CODE
1	2	A2 00779		DRAWING NO
CUSTOMER DRAWING		G-5745076		RESTRICTED TO
SCALE 4:1		SHEET 1 OF 1		REV 0