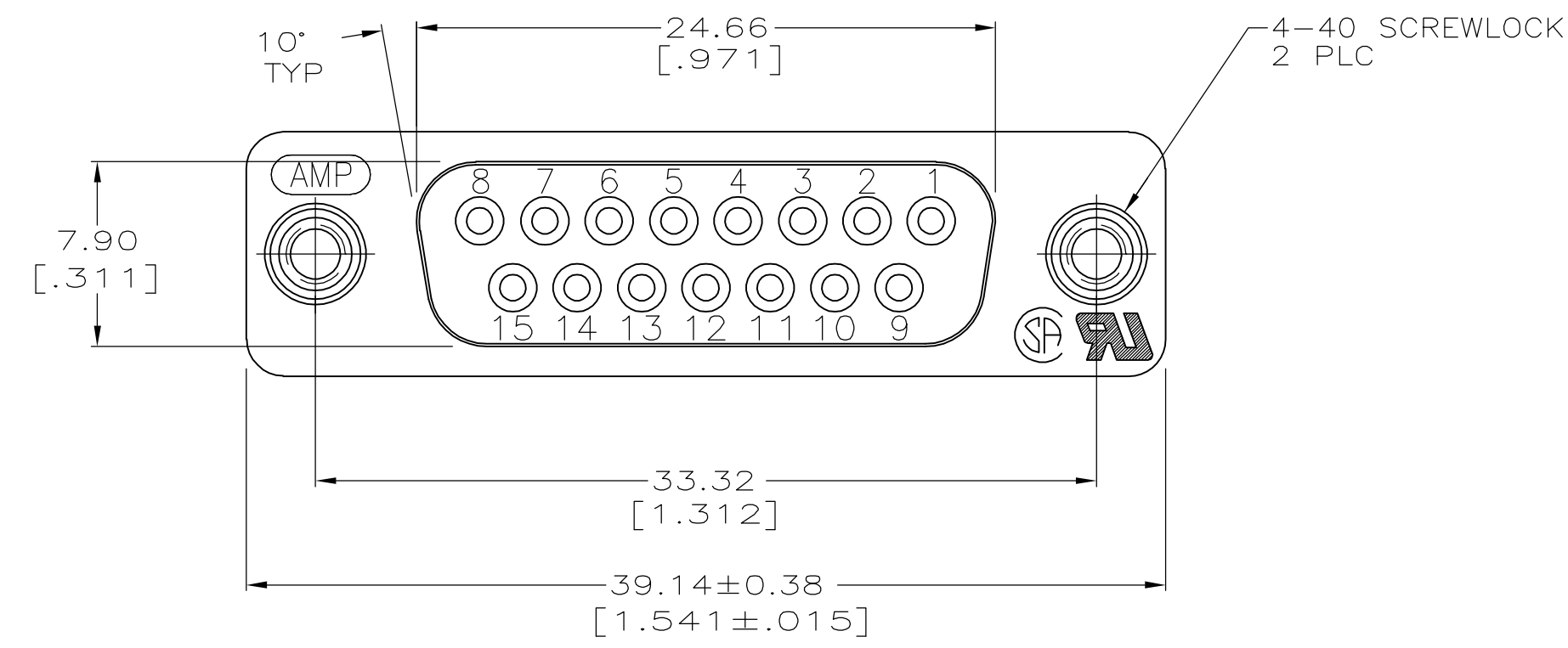
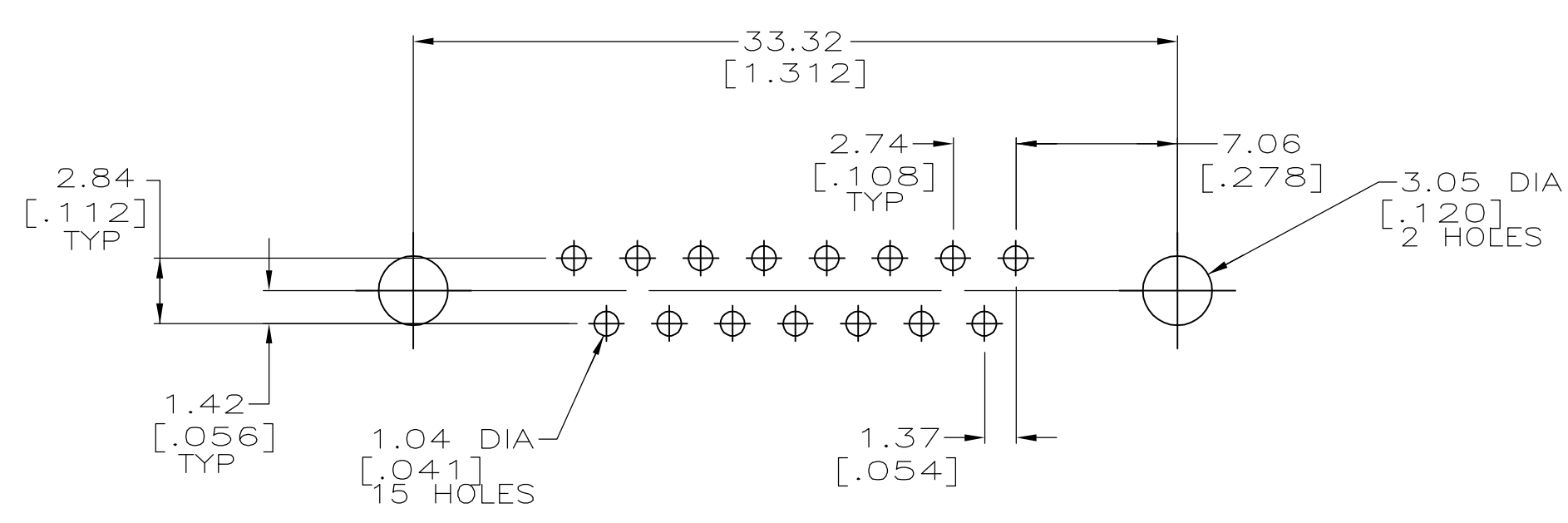
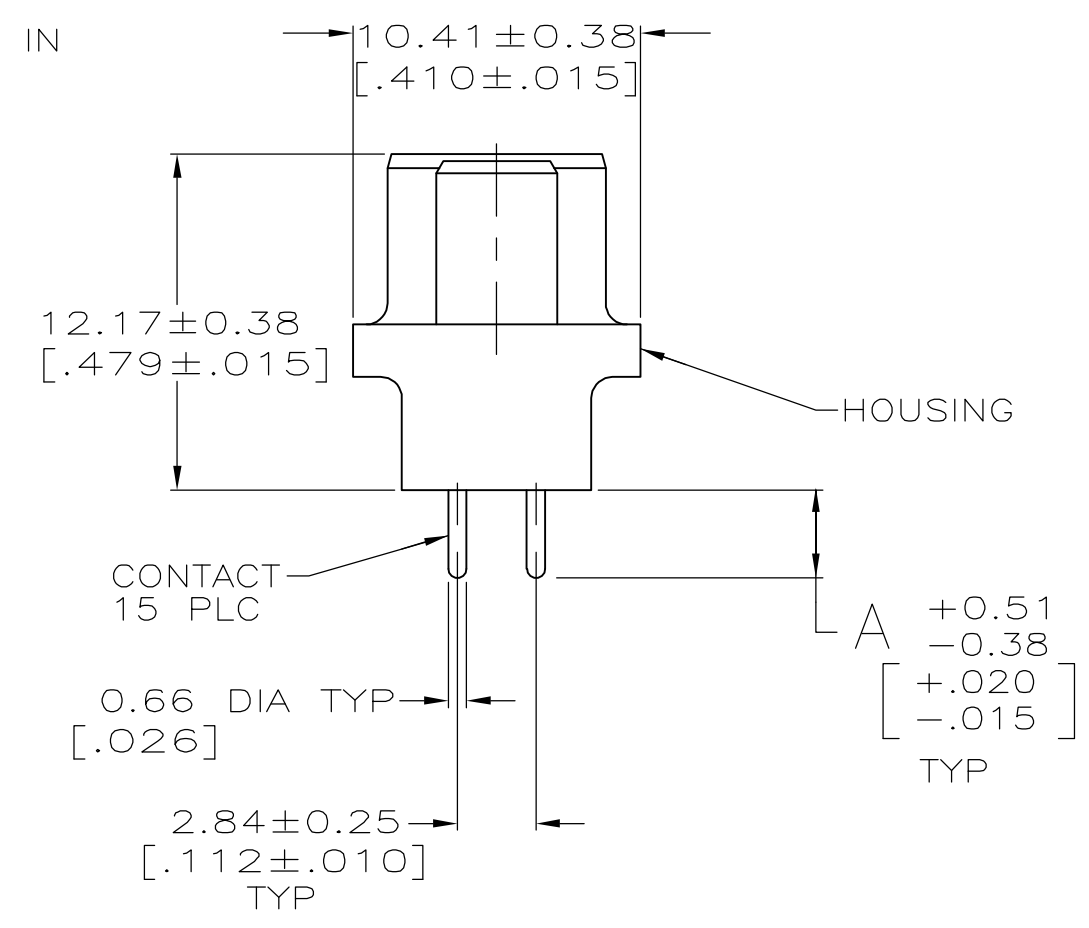
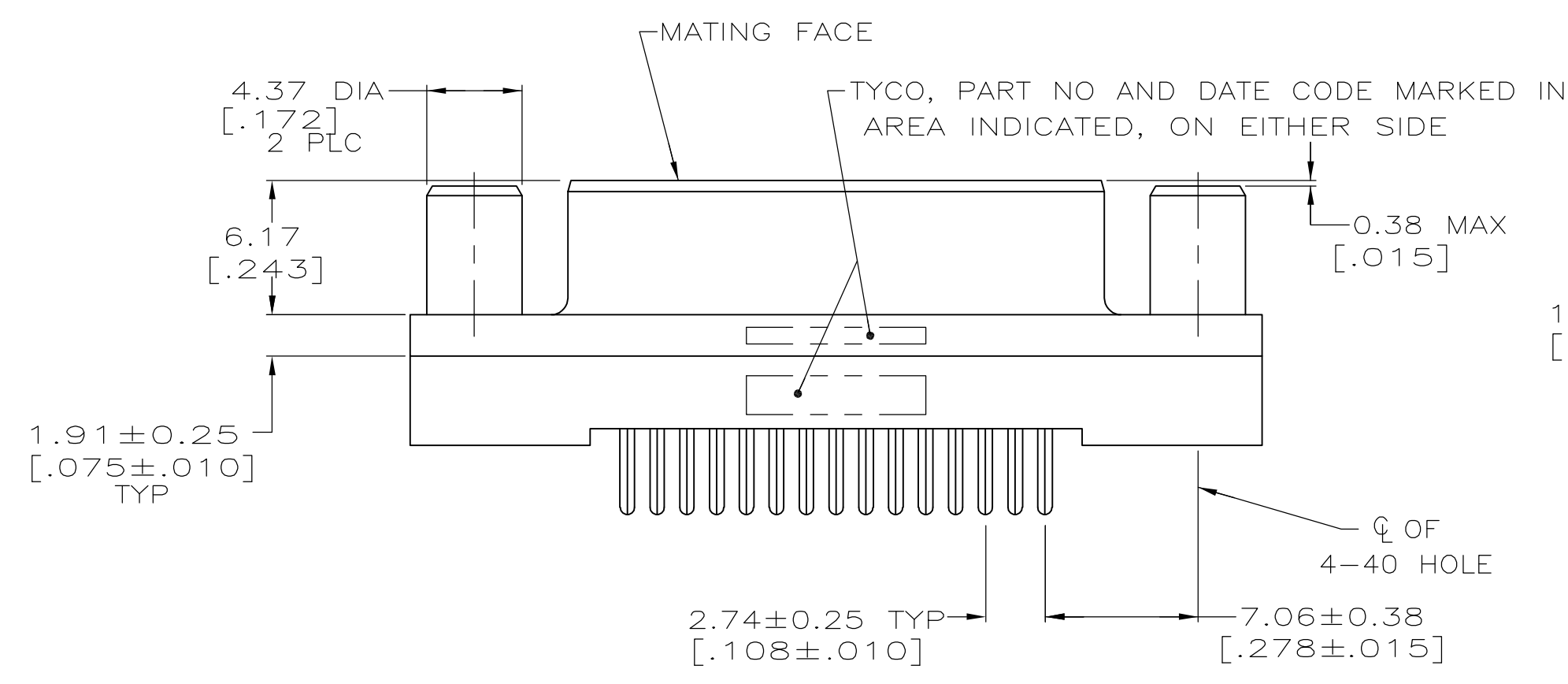


| LOC | DIST | REVISIONS | | | | | |
|-----|------|-----------|-----|------------------------------|---------|-----|------|
| GP | 00 | P | LTR | DESCRIPTION | DATE | OWN | APVD |
| | | 0 | | RELEASED PER EC 0S13-0087-05 | 31AUG05 | GP | JG |



- ① HOUSING: BLACK POLYESTER, UL 94V-0 RATED; CONTACTS: PHOSPHOR BRONZE; SCREWLOCKS: BRASS.
- ② CONTACTS: SEE TABLE. SCREWLOCKS: 1.27µm [0.000050] MIN NICKEL OVER COPPER FLASH.
- ③ GOLD FLASH FOR A LENGTH OF 2.54 [0.100] MIN FROM MATING END, 2.54µm [0.000100] MIN TIN FOR A LENGTH OF DIMENSION A FROM OPPOSITE END, ALL OVER 1.27µm [0.000050] MIN NICKEL.
- ④ 0.76 µm [0.000030] MIN GOLD FOR A LENGTH OF 2.54 [0.100] MIN FROM MATING END, 2.54µm [0.000100] MIN TIN FOR A LENGTH OF DIMENSION A FROM OPPOSITE END, ALL OVER 1.27µm [0.000050] MIN NICKEL.



RECOMMENDED PC BOARD MOUNTING DIMENSIONS

| | | |
|--------------|----------------|-----------|
| 4.32 [0.170] | ④ | 5745077-6 |
| 3.18 [0.125] | ④ | 5745077-4 |
| 3.18 [0.125] | ③ | 5745077-3 |
| A | CONTACT FINISH | PART NO |

| | | | | |
|--|--|-------------------------------|---|--|
| THIS DRAWING IS A CONTROLLED DOCUMENT. | | DWN G.PETERS 31AUG05 | Tyco Electronics Corporation Harrisburg, Pa 17105-3608 | |
| DIMENSIONS: mm [INCHES] | | CHK J.GERACE 31AUG05 | RECEPTACLE ASSEMBLY, SIZE 2, 15 POSN, VERTICAL, AMPLIMITE HD-20 | |
| TOLERANCES UNLESS OTHERWISE SPECIFIED: | | APVD M.WALMSLEY 31AUG05 | NAME 108-40025 | |
| 0 PLC ± - | | PRODUCT SPEC | SIZE A2 | |
| 1 PLC ± - | | APPLICATION SPEC | CAGE CODE 00779 | |
| 2 PLC ± 0.13 [0.005] | | ANGLE | DRAWING NO G-5745077 | |
| 3 PLC ± - | | FINISH | RESTRICTED TO | |
| 4 PLC ± - ± 2' | | WEIGHT | SCALE 4:1 SHEET 1 OF 1 REV 0 | |
| MATERIAL ① | | CUSTOMER DRAWING | | |