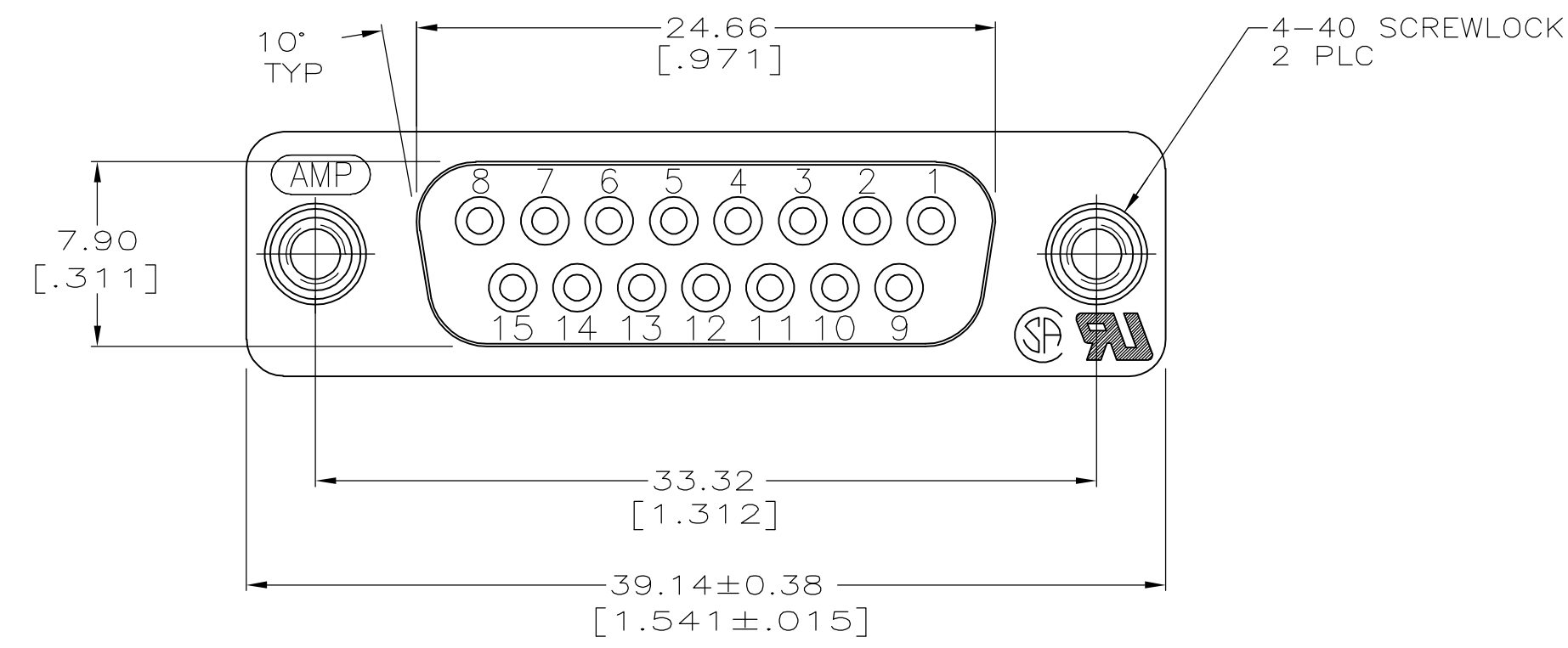
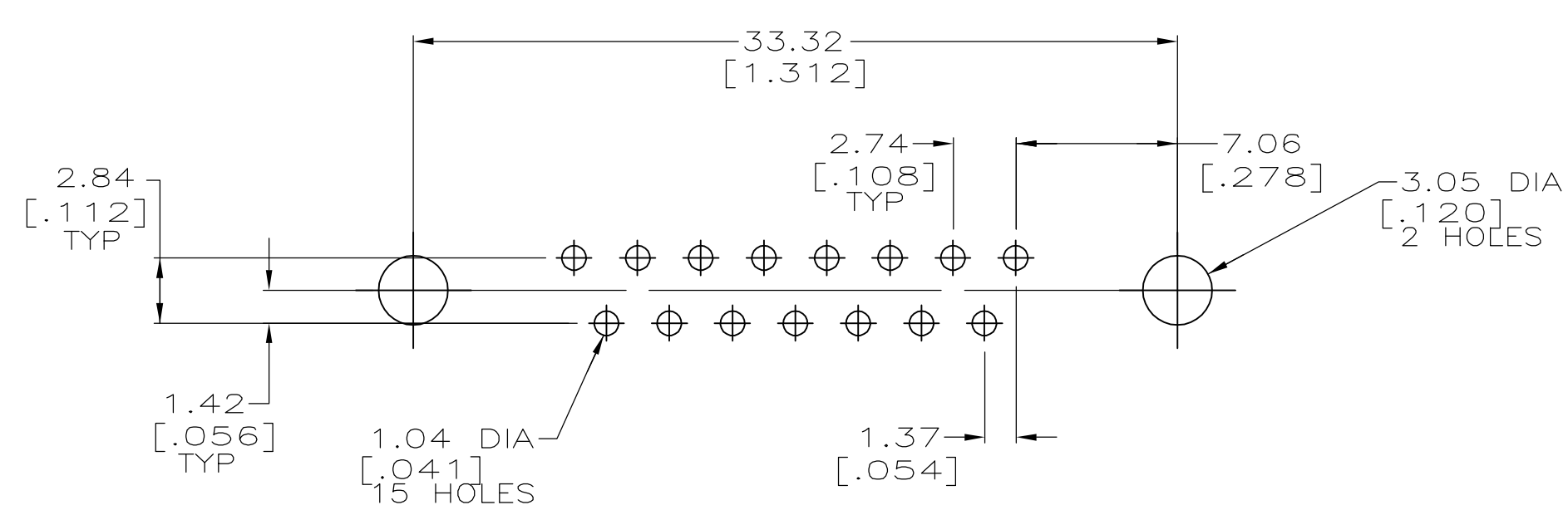
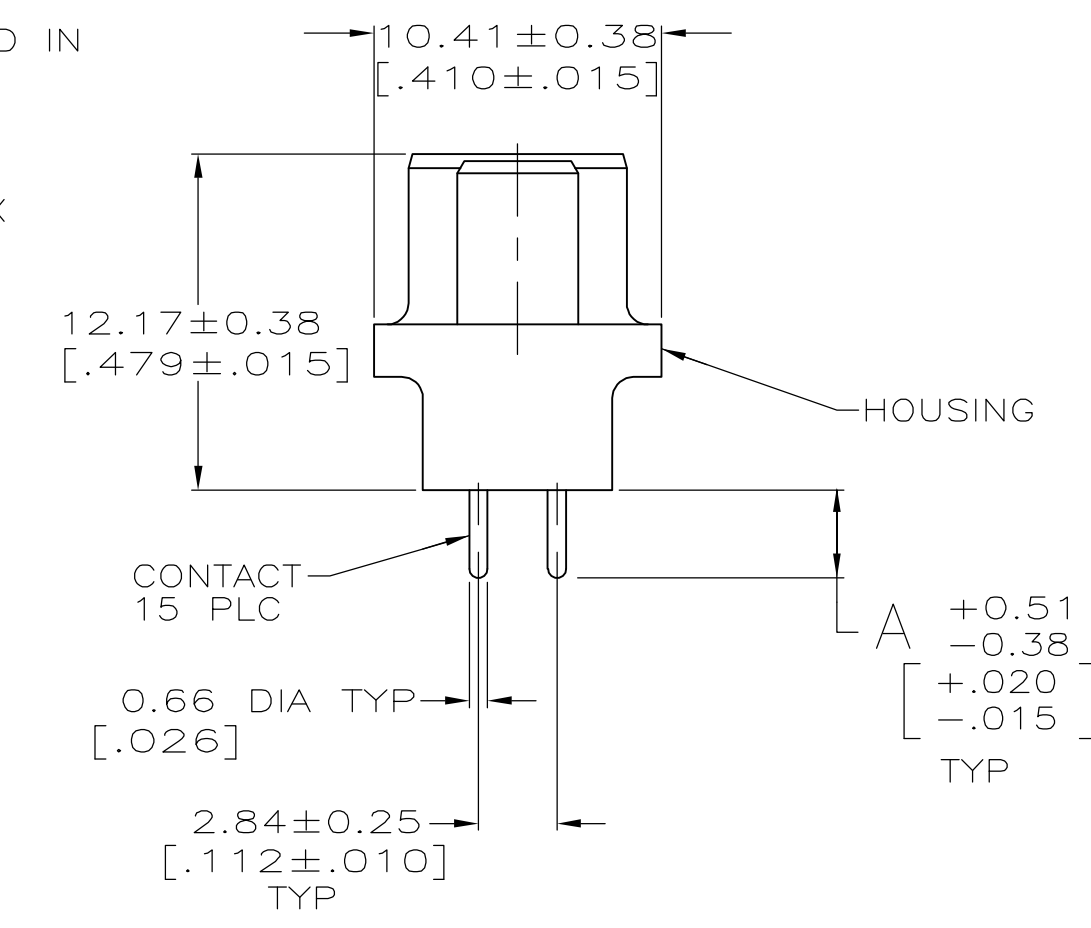
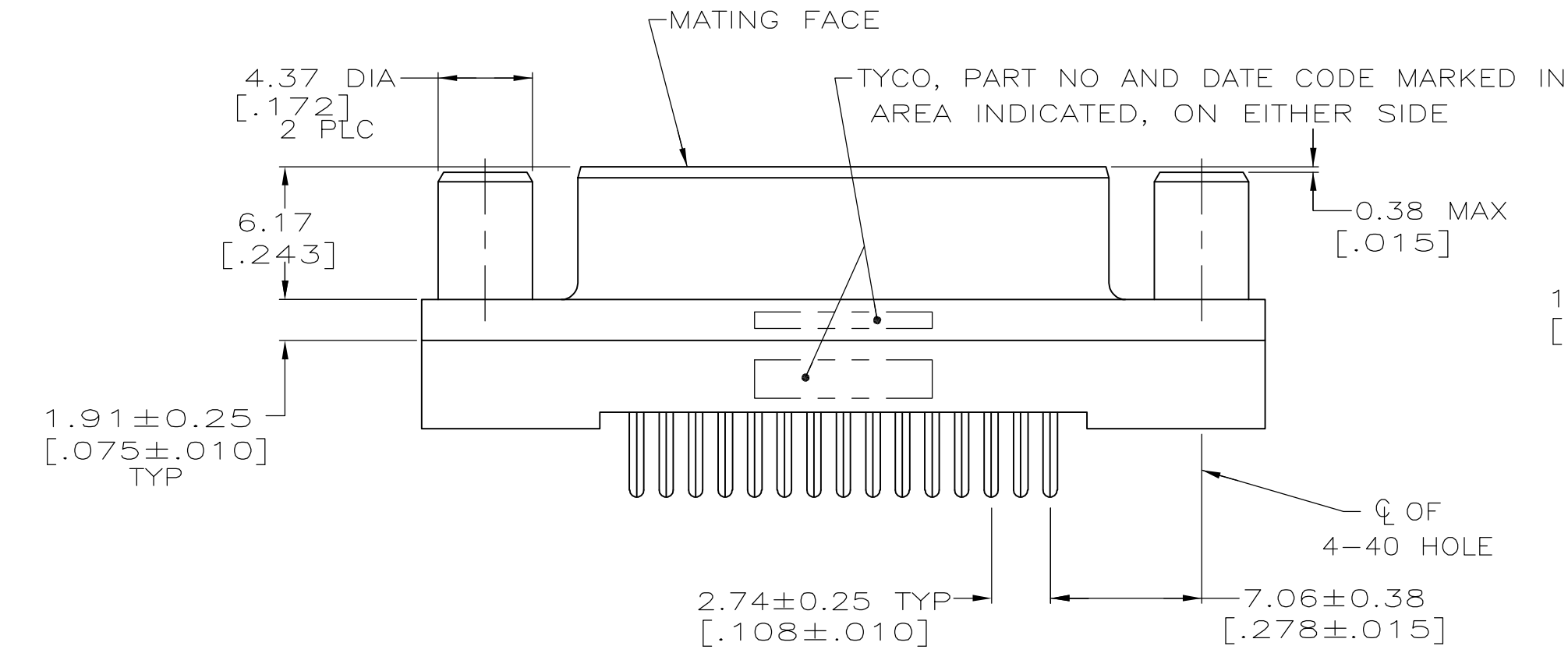


THIS DRAWING IS UNPUBLISHED. RELEASED FOR PUBLICATION  
 © COPYRIGHT BY TYCO ELECTRONICS CORPORATION. ALL RIGHTS RESERVED.

| LOC | DIST | REVISIONS   |                              |         |       |
|-----|------|-------------|------------------------------|---------|-------|
| P   | LTR  | DESCRIPTION | DATE                         | OWN     | APVD  |
| GP  | 00   | 0           | RELEASED PER EC 0S13-0087-05 | 31AUG05 | GP JG |



- ① HOUSING: BLACK POLYESTER, UL 94V-0 RATED; CONTACTS: PHOSPHOR BRONZE; SCREWLOCKS: BRASS.
- ② CONTACTS: SEE TABLE. SCREWLOCKS: 1.27µm[.000050] MIN NICKEL OVER COPPER FLASH.
- ③ GOLD FLASH FOR A LENGTH OF 2.54[.100] MIN FROM MATING END, 2.54µm[.000100] MIN TIN FOR A LENGTH OF DIMENSION A FROM OPPOSITE END, ALL OVER 1.27µm[.000050] MIN NICKEL.
- ④ 0.76 µm[.000030] MIN GOLD FOR A LENGTH OF 2.54[.100] MIN FROM MATING END, 2.54µm[.000100] MIN TIN FOR A LENGTH OF DIMENSION A FROM OPPOSITE END, ALL OVER 1.27µm[.000050] MIN NICKEL.



RECOMMENDED PC BOARD MOUNTING DIMENSIONS

|              |                |           |
|--------------|----------------|-----------|
| 4.32 [0.170] | ④              | 5745077-6 |
| 3.18 [0.125] | ④              | 5745077-4 |
| 3.18 [0.125] | ③              | 5745077-3 |
| A            | CONTACT FINISH | PART NO   |

| THIS DRAWING IS A CONTROLLED DOCUMENT. |                | DWN              | 31AUG05   | Tyco Electronics Corporation |               |
|--|----------------|------------------|-----------|------------------------------|---------------|
| DIMENSIONS: mm[INCHES]                 |                | CHK              | 31AUG05   | Harrisburg, Pa 17105-3608    |               |
| TOLERANCES UNLESS OTHERWISE SPECIFIED: |                | APVD             | 31AUG05   | NAME                         |               |
| 0 PLC                                  | ± -            | M. WALMSLEY      |           | RECEPTACLE ASSEMBLY, SIZE 2, |               |
| 1 PLC                                  | ± -            | PRODUCT SPEC     |           | 15 POSN, VERTICAL,           |               |
| 2 PLC                                  | ± 0.13 [0.005] | APPLICATION SPEC |           | AMPLIMITE HD-20              |               |
| 3 PLC                                  | ± -            | SIZE             | CAGE CODE | DRAWING NO                   | RESTRICTED TO |
| 4 PLC                                  | ± - ± 2'       | A2               | 00779     | G-5745077                    | -             |
| ANGLES                                 | ± - ± 2'       | WEIGHT           | -         |                              | SCALE         |
| FINISH                                 | ②              | CUSTOMER DRAWING | 4:1       | SHEET 1 OF 1                 | REV 0         |