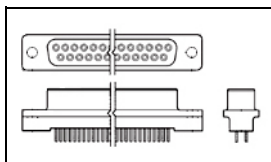


5745078-3 Product Details

[Share](#) [Print](#) [Email](#)



5745078-3

TE Internal Number: 5745078-3

Active

[View 3D PDF](#)

Standard Board Mount Connectors

Always EU RoHS/ELV Compliant (Statement of Compliance)

Product Highlights:

- 25 Positions
- Connector Style = Receptacle
- PCB Mounting Orientation = Vertical
- Product Series = HD 20
- With Mating Connector Lock

[View all Features](#)

Quick Links

- ▶ [Pricing & Availability](#)
- ▶ [Search for Tooling](#)
- ▶ [View Mating Products \(1\)](#)
- ▶ [Product Feature Selector](#)
- ▶ [Contact Us About This Product](#)

[Add to My Part List](#) [Request Sample](#) [Find Similar Products](#) [Buy Product](#)

Documentation & Additional Information

Product Drawings:

- [RECEPTACLE ASSEMBLY, SIZE 3, 25 POSN, VERTICAL, AMPL...](#) (PDF, English)

Catalog Pages/Data Sheets:

- [AMPLIMITE Subminiature D Connectors - Straight Poste...](#) (PDF, English)

Product Specifications:

- None Available

Application Specifications:

- None Available

Instruction Sheets:

- None Available

CAD Files: [\(CAD Format & Compression Information\)](#)

- [2D Drawing](#) (DXF, Version 0)
- [3D Model](#) (IGES, Version 0)
- [3D Model](#) (STEP, Version 0)

[List all Documents](#)

Additional Information:

- [Product Line Information](#)

Additional Product Images:

- [Product Photo](#)
- [Typical Application](#)

Related Products:

- [Tooling](#)
- [Mating Products \(1\)](#)

Product Features (Please use the Product Drawing for all design activity)

Product Type Features:

- [PCB Mounting Orientation](#) = Vertical
- [Product Series](#) = HD 20
- [Mating Connector Lock](#) = With
- [Mating Connector Lock Type](#) = Female Screwlocks, Fixed
- [PCB Mount Retention](#) = With
- [PCB Mount Retention Type](#) = Mounting Hole(s)
- [Shell Type](#) = All Plastic
- [Shell Size](#) = 3
- [Grounding Indents](#) = Without
- [Grounding Straps](#) = Without
- [PCB Mount Style](#) = Through Hole
- [Color Code](#) = None
- Sealed = No
- Profile = Standard
- Post Size (mm [in]) = 0.66 [.026]
- Mounting Hole Diameter (mm [in]) = 3.05 [.120]

Mechanical Attachment:

- [Panel Mount Retention](#) = Without

Termination Features:

- [Grounding Clips](#) = Without
- [Termination Post Length \(mm \[in\]\)](#) = 3.18 [0.125]
- [Solder Tail Contact Plating](#) = Tin over Nickel

Dimensions:

- [PCB Thickness, Recommended \(in \[mm\]\)](#) = 0.062 - 0.093 [1.57 - 2.36]

Body Features:

- [Female Screwlock Material](#) = Brass
- [Female Screwlock Plating](#) = Nickel over Copper Flash

Contact Features:

- [Contact Plating, Mating Area, Material](#) = Gold Flash
- [Contact Shape](#) = Round
- [Contact Base Material](#) = Phosphor Bronze

Housing Features:

- [Connector Style](#) = Receptacle
- [UL Flammability Rating](#) = UL 94V-0
- [Housing Material](#) = Thermoplastic - GF

Configuration Features:

- [Number of Positions](#) = 25

Industry Standards:

- [RoHS/ELV Compliance](#) = RoHS compliant, ELV compliant
- [Lead Free Solder Processes](#) = Wave solder capable to 240°C, Wave solder capable to 260°C, Wave solder capable to 265°C
- [RoHS/ELV Compliance History](#) = Always was RoHS compliant

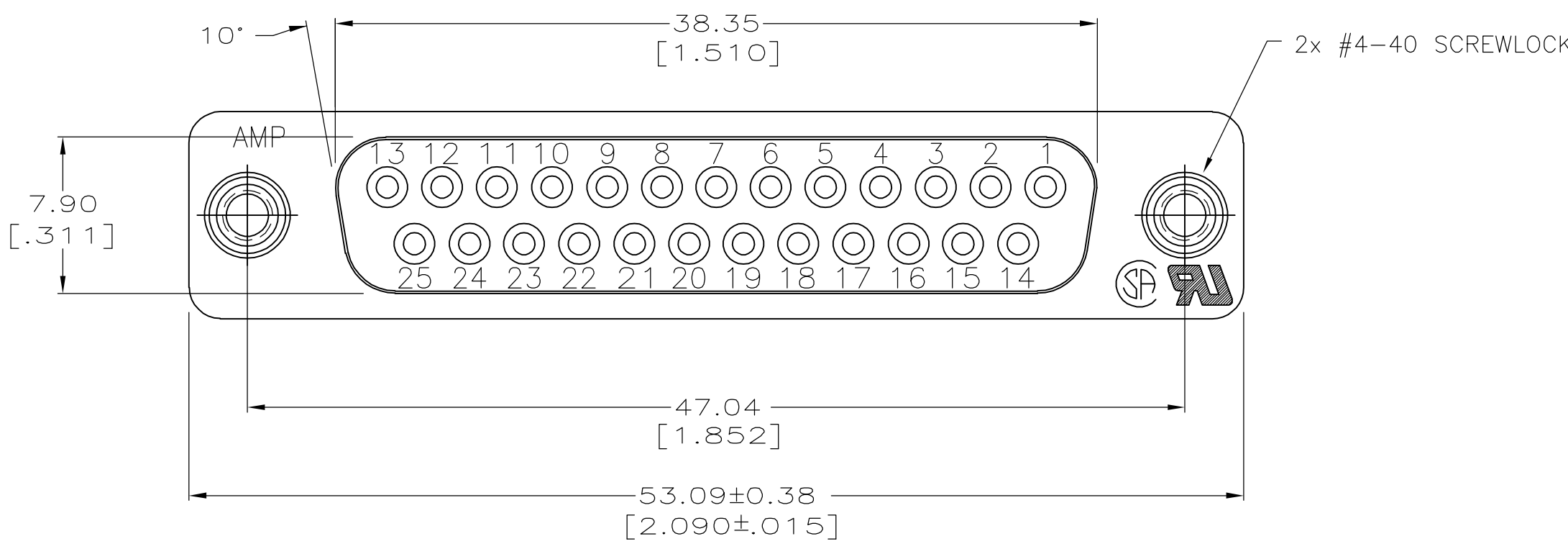
Operation/Application:

- [Application](#) = Standard

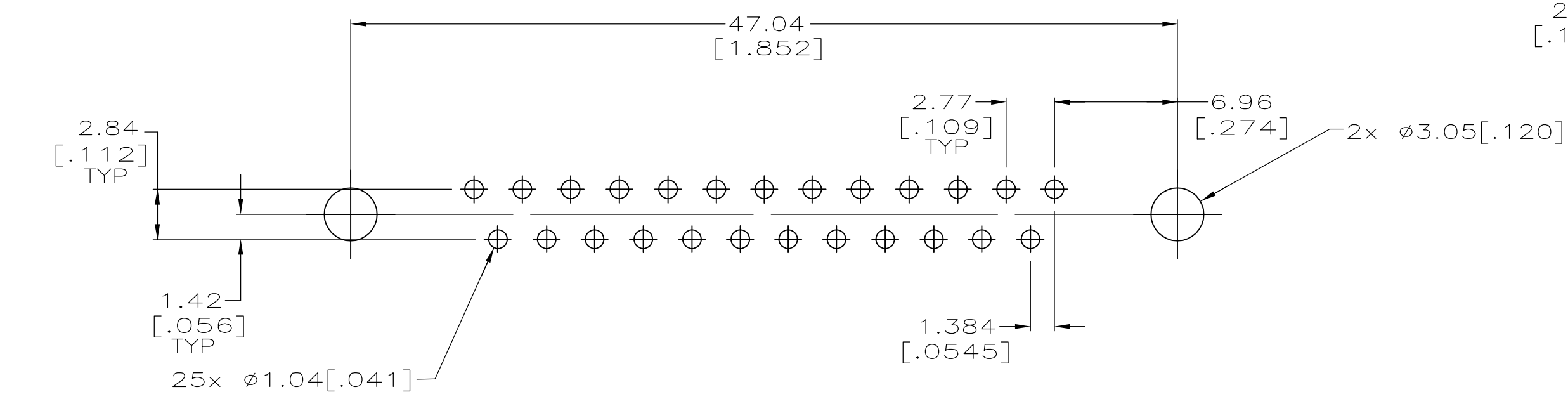
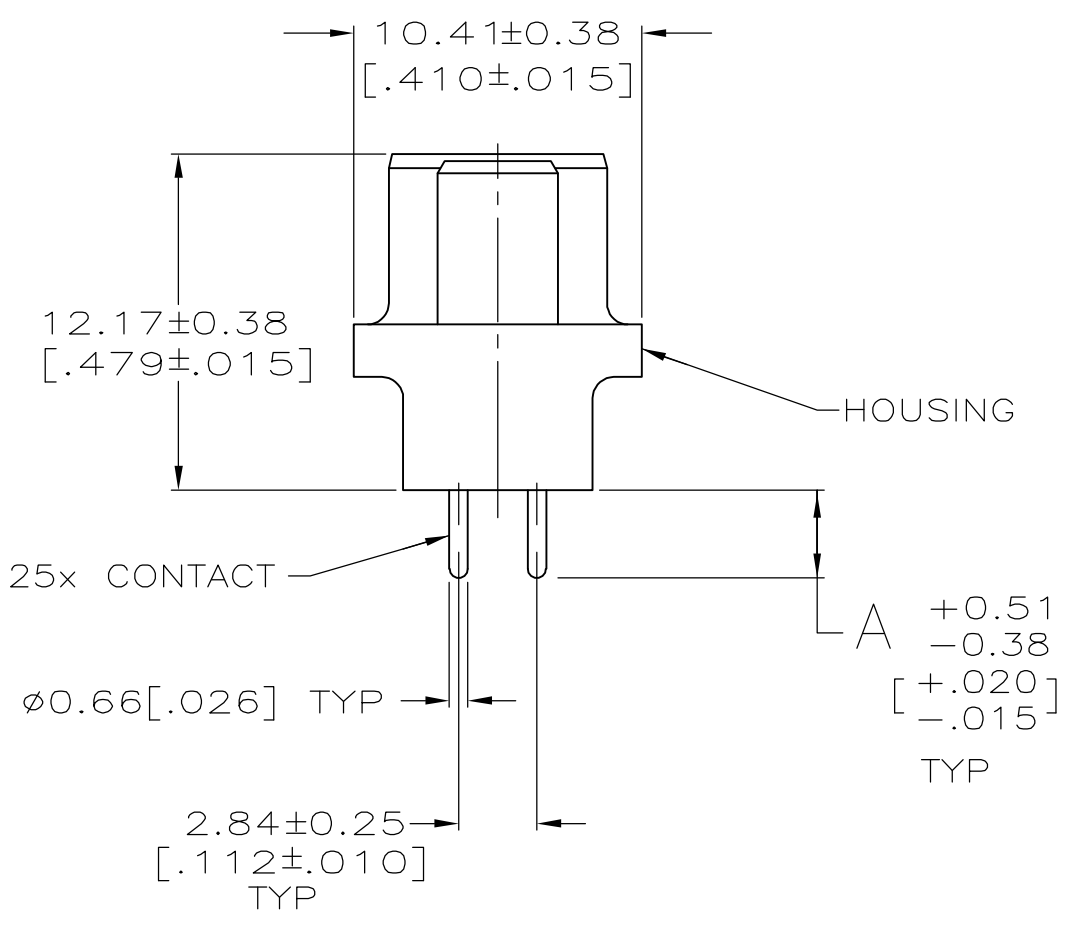
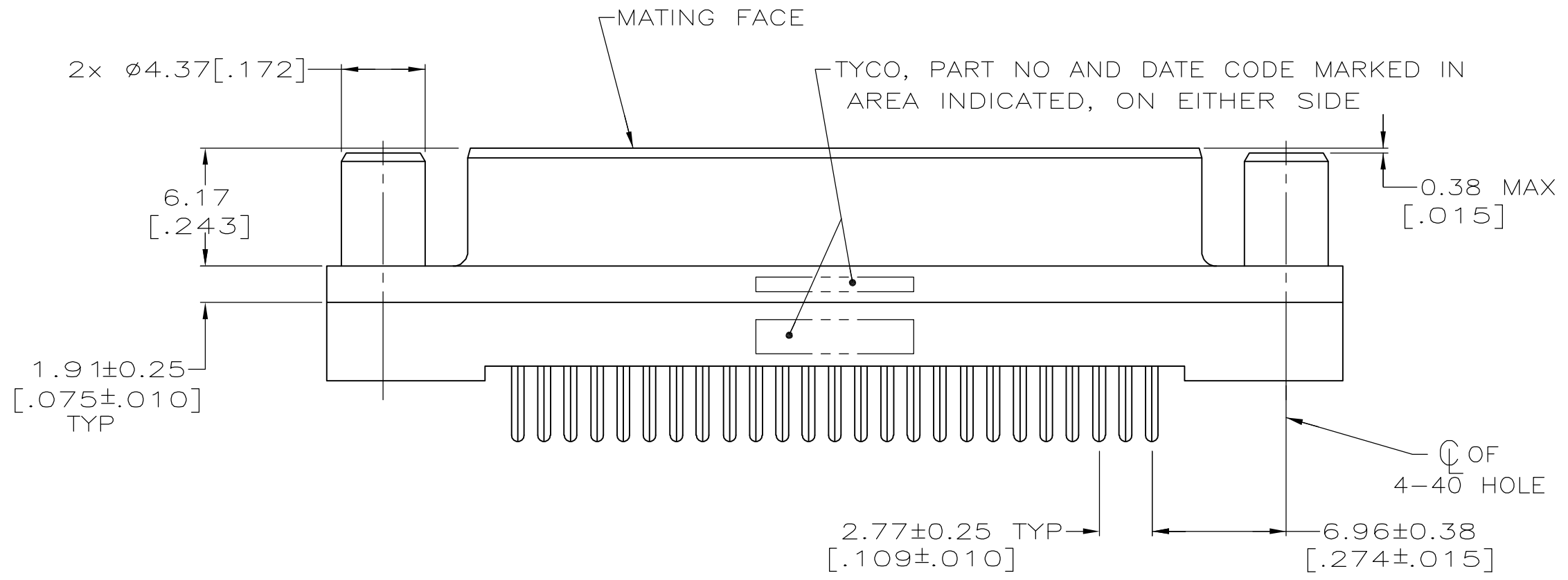
Other:

- [Brand](#) = AMP
- [Comment](#) = All receptacles are preloaded with size 20 DF posted socket contacts

LOC	DIST	REVISIONS			
P	LTR	DESCRIPTION	DATE	OWN	APVD
GP	00	0	RELEASED PER EC 0513-0087-05	14SEP05	GP JG



- 1 HOUSING: BLACK POLYESTER, UL 94V-0 RATED; CONTACTS: CONTACTS: PHOSPHOR BRONZE; SCREWLOCKS: BRASS.
- 2 CONTACTS: SEE TABLE. SCREWLOCKS: 1.27µm[.000050] MIN NICKEL OVER COPPER FLASH.
- 3 GOLD FLASH FOR A LENGTH OF 2.54[.100] MIN FROM MATING END, 2.54µm[.000100] MIN TIN FOR A LENGTH OF DIMENSION A FROM OPPOSITE END, ALL OVER 1.27µm[.000050] MIN NICKEL.
- 4 0.76µm[.000030] MIN GOLD FOR A LENGTH OF 2.54[.100] MIN FROM MATING END, 2.54µm[.000100] MIN TIN FOR A LENGTH OF DIMENSION A FROM OPPOSITE END, ALL OVER 1.27µm[.000050] MIN NICKEL.



RECOMMENDED PC BOARD MOUNTING DIMENSIONS

4.32 [.170]	4	5745078-6
4.32 [.170]	3	5745078-5
3.18 [.125]	4	5745078-4
3.18 [.125]	3	5745078-3
A	CONTACT FINISH	PART NO

**COPYRIGHT 2005
TYCO ELECTRONICS CORP
ALL RIGHTS RESERVED**

THIS DRAWING IS A CONTROLLED DOCUMENT.		DWN G.PETERS 14SEP05	Tyco Electronics Corporation	
DIMENSIONS: mm [INCHES]		CHK S.BOLASH 14SEP05	Harrisburg, PA 17105-3608	
TOLERANCES UNLESS OTHERWISE SPECIFIED:		APVD M.WALMSLEY 14SEP05	RECEPTACLE ASSEMBLY, SIZE 3, 25 POSN, VERTICAL, AMPLIMITE HD-20	
0 PLC ± -	1 PLC ± -	PRODUCT SPEC 108-40025	SIZE A2	CAGE CODE 00779
2 PLC ± ± 0.13 [.005]	3 PLC ± -	APPLICATION SPEC	DRAWING NO G-5745078	RESTRICTED TO
4 PLC ± -	ANGLES ± ± 2'	FINISH	WEIGHT -	SCALE 4:1
MATERIAL 1	FINISH 2	CUSTOMER DRAWING	SHEET 1 of 1	REV 0