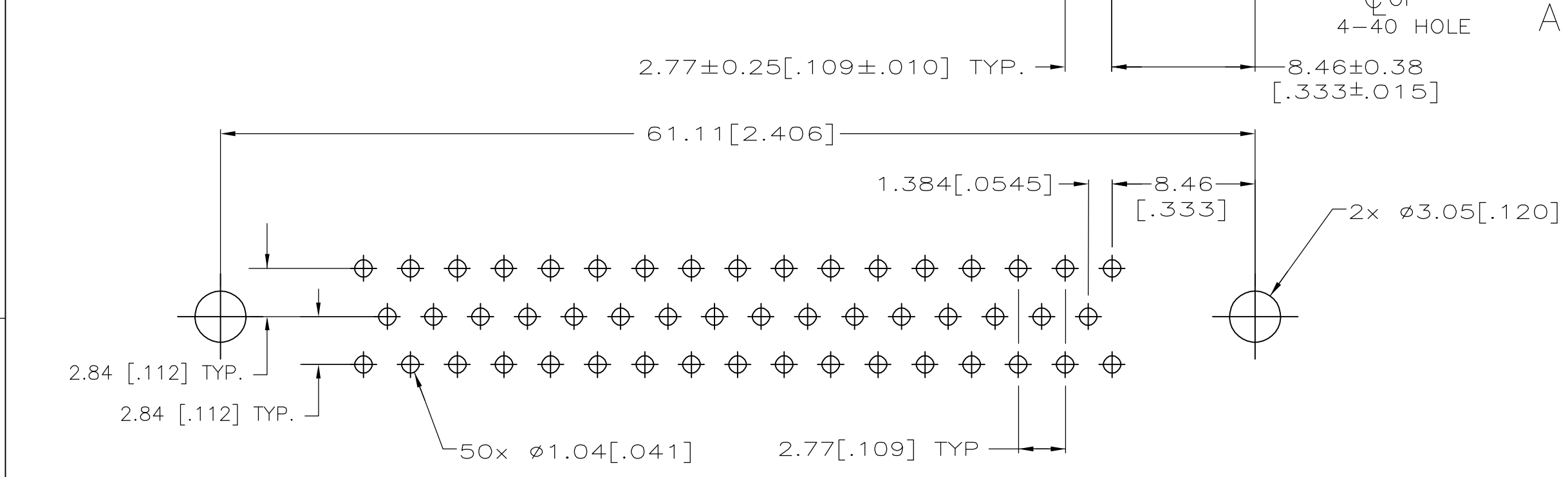
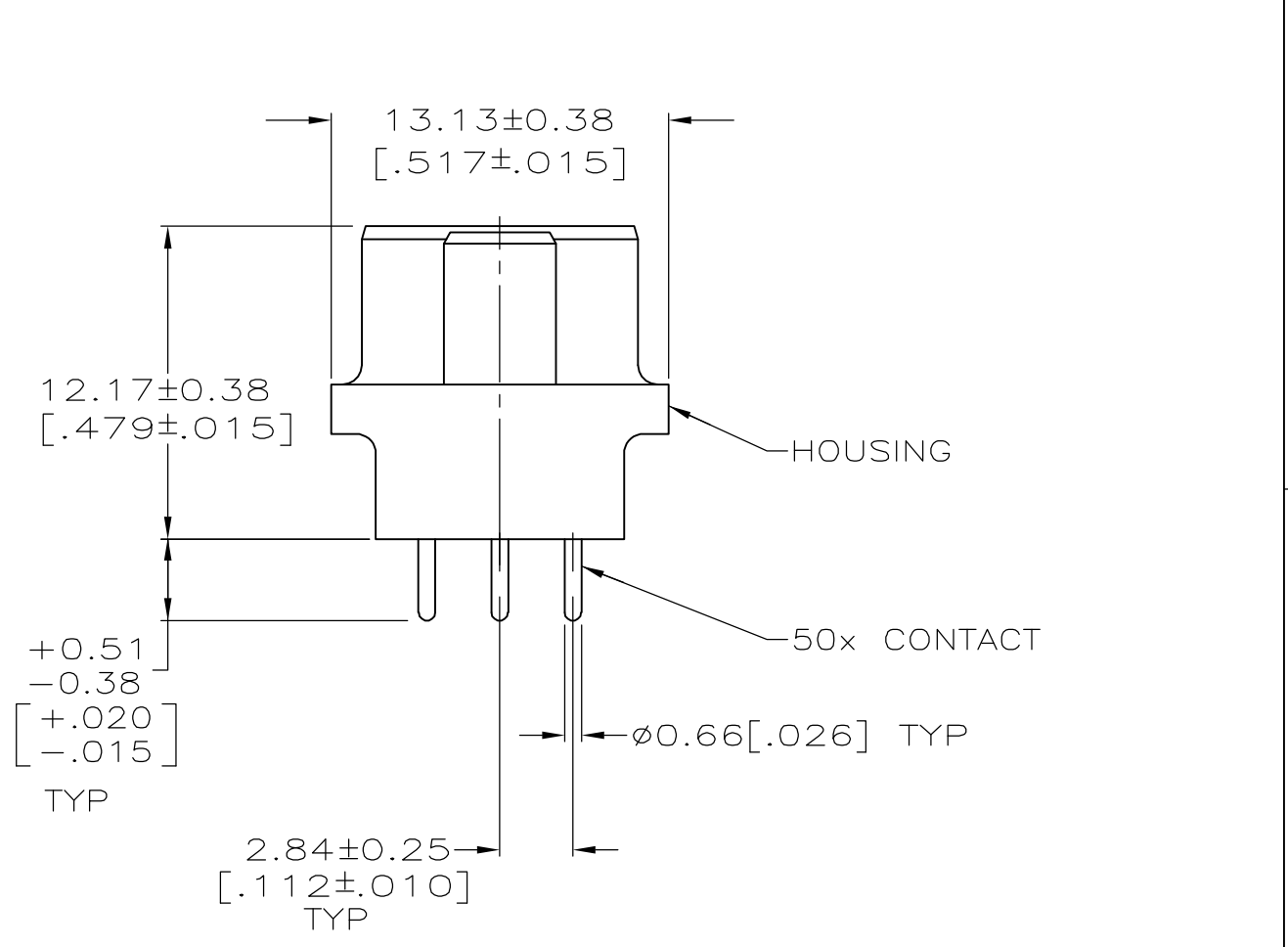
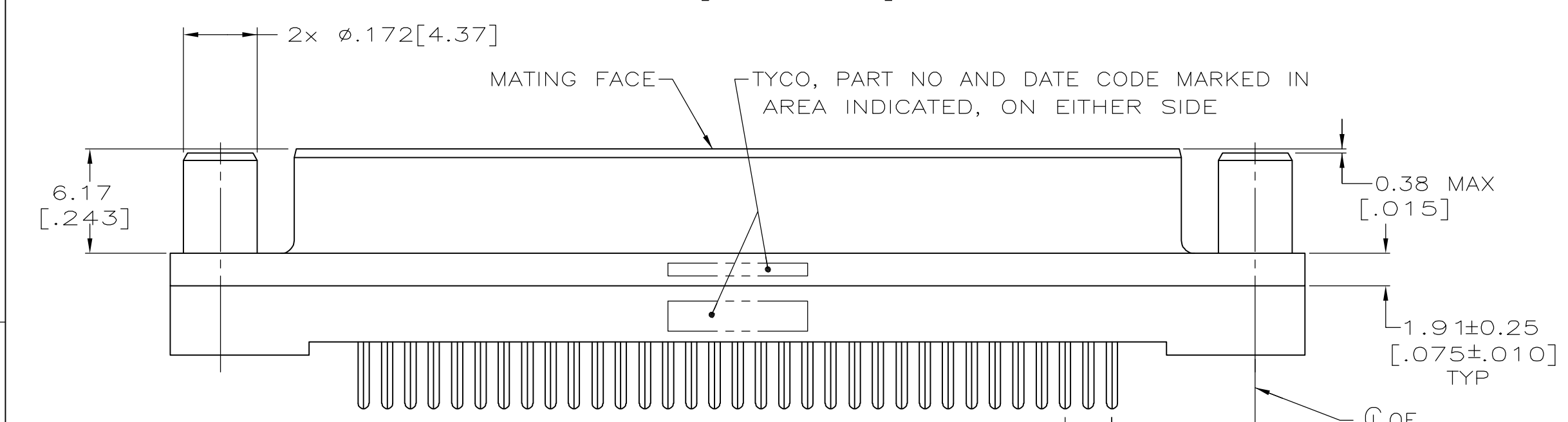


LOC	DIST	REVISIONS					
GP	00	P	LTR	DESCRIPTION	DATE	DWN	APVD
		0		RELEASED PER EC 0S13-0087-05	14SEP05	GP	JG

- 1 HOUSING: BLACK POLYESTER, UL 94V-0 RATED; CONTACTS: PHOSPHOR BRONZE; SCREWLOCKS: BRASS.
- 2 CONTACTS: 0.76 μm [.000030] MIN GOLD FOR A LENGTH OF 2.54 [.100] MIN FROM MATING END, 2.54 μm [.000100] MIN TIN ON OPPOSITE END, ALL OVER 1.27 μm [.000050] MIN NICKEL. SCREWLOCKS: 1.27 μm [.000050] MIN NICKEL OVER COPPER FLASH.



4.32 [.170]	5745080-6
3.18 [.125]	5745080-4
A	PART NO

RECOMMENDED PC BOARD MOUNTING DIMENSIONS

**COPYRIGHT 2005
TYCO ELECTRONICS CORP
ALL RIGHTS RESERVED**

THIS DRAWING IS A CONTROLLED DOCUMENT.		DWN	G.PETERS	14SEP05		Tyco Electronics Corporation Harrisburg, PA 17105-3608		
DIMENSIONS: mm [INCHES]		CHK	S.BOLASH	14SEP05		NAME		
TOLERANCES UNLESS OTHERWISE SPECIFIED:		APVD	M.WALMSLEY	14SEP05	PRODUCT SPEC		108-40025	
0 PLC	± -	APPLICATION SPEC		SIZE		CAGE CODE	DRAWING NO	RESTRICTED TO
1 PLC	± -	MATERIAL		WEIGHT		A2 00779		5745080
2 PLC	± 0.13 [.005]	FINISH		CUSTOMER DRAWING		SCALE		4:1
3 PLC	± -	ANGLES		SHEET		1 OF 1		REV
4 PLC	± ± 2'	MATERIAL		SHEET		1 OF 1		REV
MATERIAL		FINISH		SHEET		1 OF 1		REV
MATERIAL		FINISH		SHEET		1 OF 1		REV