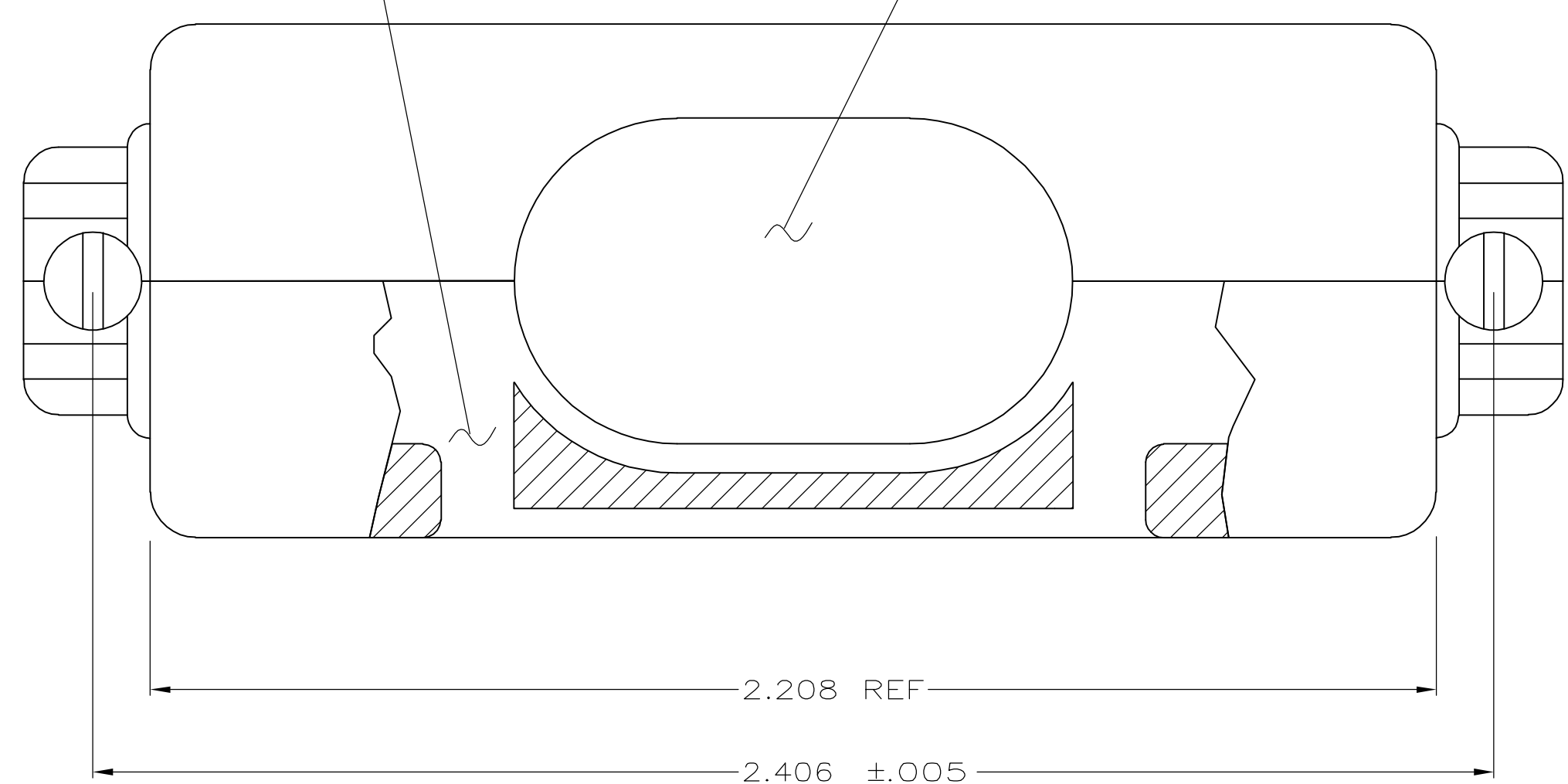
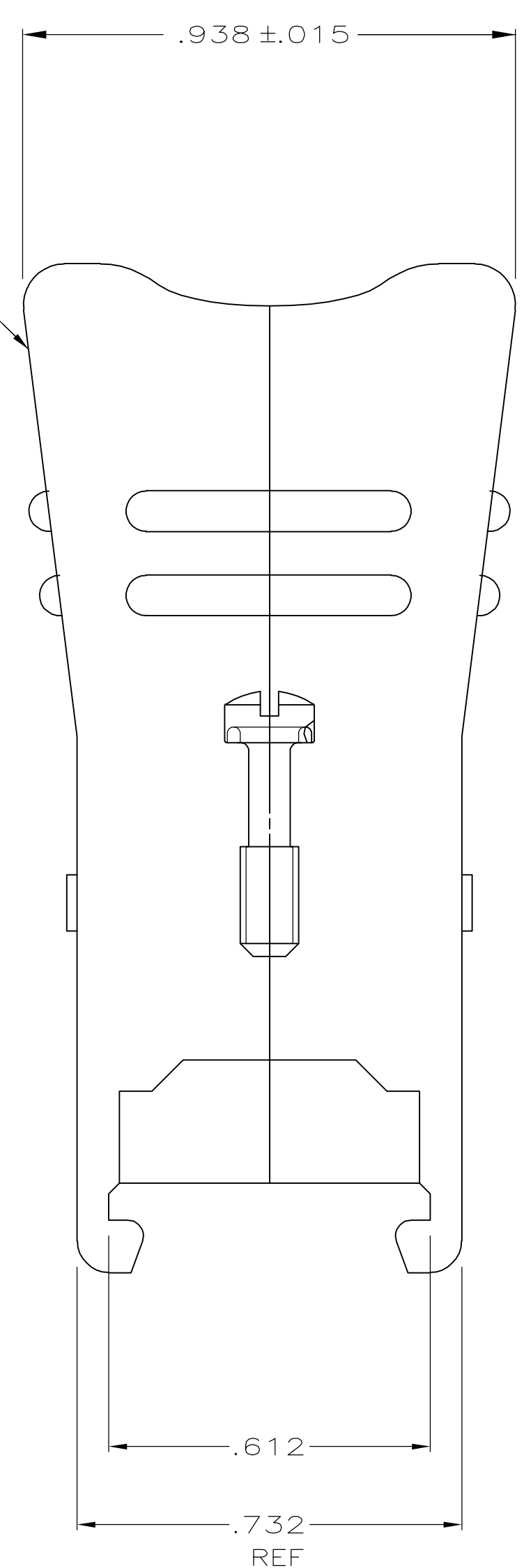


- 1 THIS PART WILL FIT ANY SIZE 5 PLUG OR RECEPTACLE IN THE AMPLIMITE SERIES CONNECTOR.
- 2 ALL PARTS ARE PACKAGED UNASSEMBLED.
- 3 ONE KIT PER POLY BAG.

INTERNAL CABLE TIE OPENINGS
 CABLE OPENING OF .471 SQUARE INCHES=.775 DIA

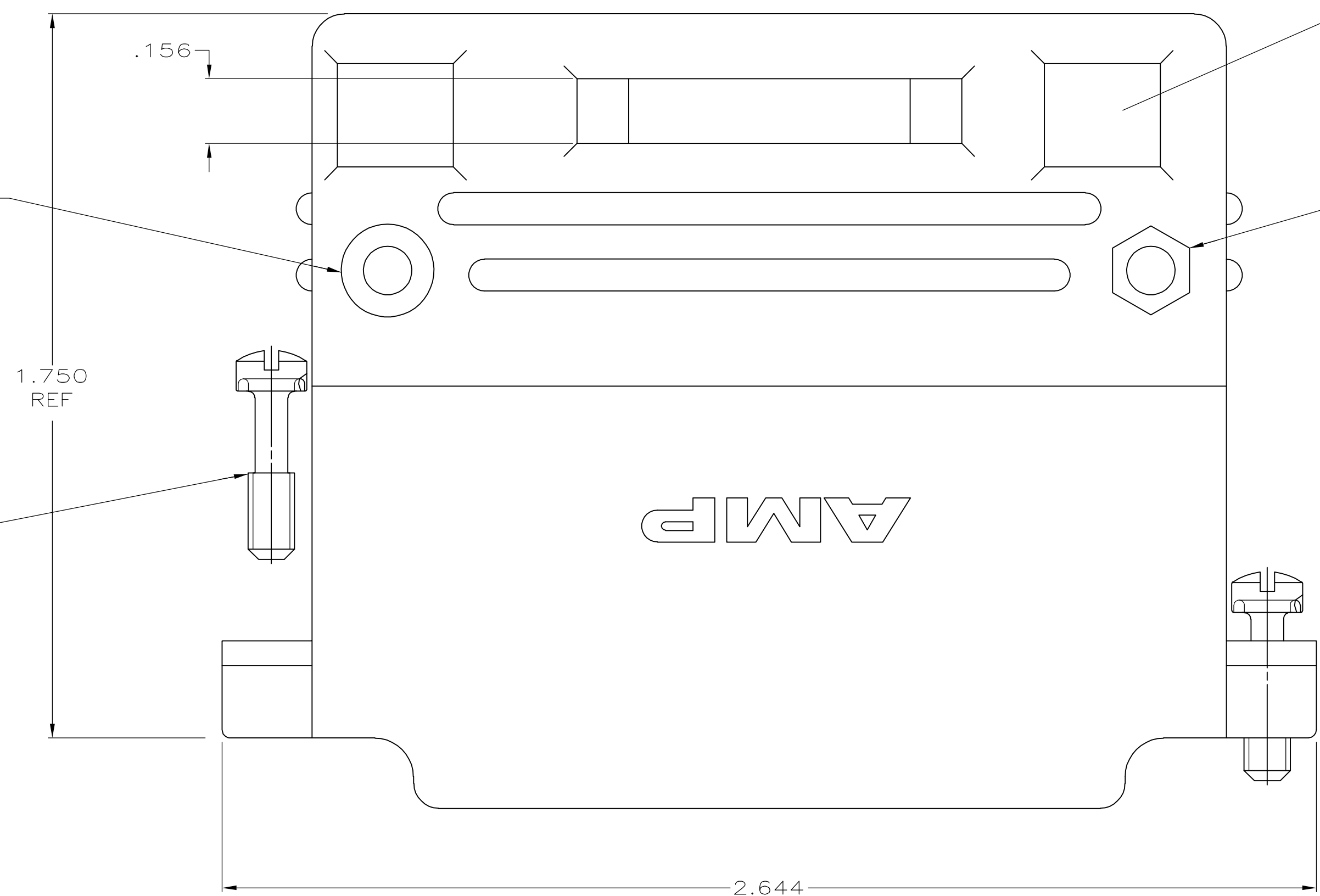


TWO PIECE CABLE SUPPORT HOUSING MATERIAL-THERMOPLASTIC GRAY



#4-40 STEEL SCREW
 ZINC PLATED
 CLEAR CHROMATE COATED
 2 REQUIRED

#4-40 CRS SCREW
 ZINC PLATED
 YELLOW CHROMATE COATED
 2 REQUIRED



EXTERNAL CABLE TIE OPENINGS

#4-40 HEX NUT STEEL
 ZINC PLATED
 CLEAR CHROMATE COATED

| | |
|-----------|-------------|
| 3 | 5745082-1 |
| PACKAGING | PART NUMBER |

| | | | |
|--|--|---------------------------------|--|
| THIS DRAWING IS A CONTROLLED DOCUMENT. | | DWN R. RICHARDSON 14SEP05 | Tyco Electronics Corporation Harrisburg, PA 17105-3608 |
| DIMENSIONS: INCHES | | CHK C. ROHDE 14SEP05 | |
| TOLERANCES UNLESS OTHERWISE SPECIFIED: | | APVD M. WALMSLEY 14SEP04 | NAME |
| 0 PLC ± - 1 PLC ± - 2 PLC ± - 3 PLC ± .010 4 PLC ± - ANGLES ± - | | PRODUCT SPEC | CABLE SUPPORT ASSEMBLY, SIZE 5, 50 POSN, 90 DEGREES/180 DEGREES, AMPLIMITE HD-20 |
| MATERIAL SEE CALLOUTS | | FINISH SEE CALLOUTS | RESTRICTED TO |
| WEIGHT | | SIZE | SCALE |
| CUSTOMER DRAWING | | A1 00779 | 4:1 |
| DRAWING NO | | C=5745082 | SHEET 1 OF 1 |
| SCALE | | REV | 0 |