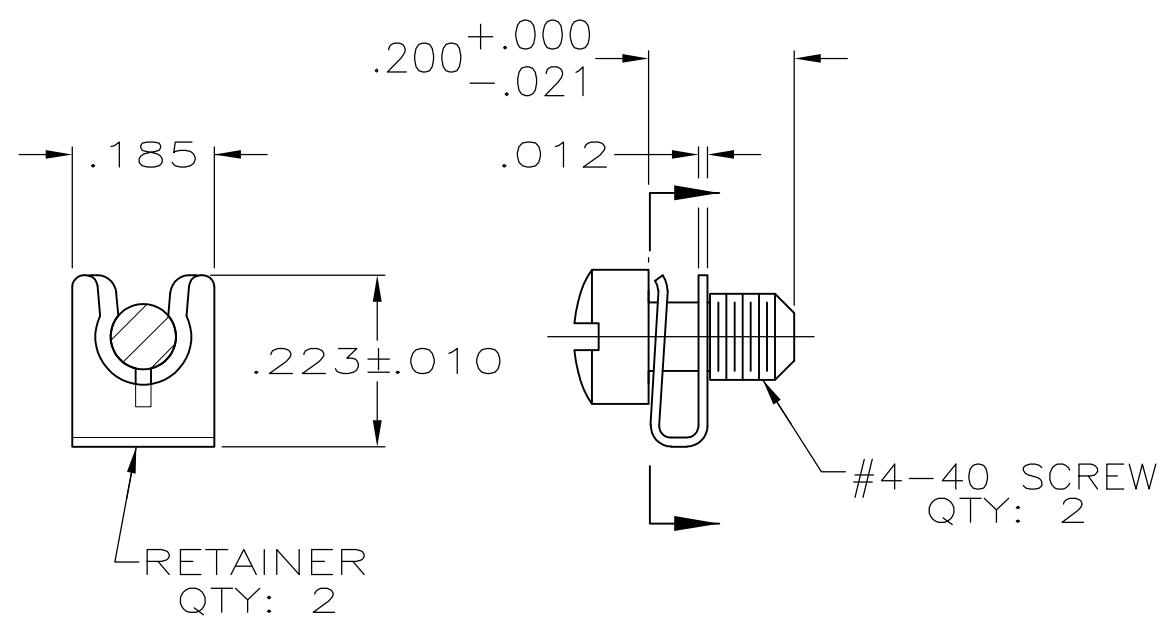


THIS DRAWING IS UNPUBLISHED. RELEASED FOR PUBLICATION  
 © COPYRIGHT - By - ALL RIGHTS RESERVED.

LOC	DIST	REVISIONS			
P	LTR	DESCRIPTION	DATE	DWN	APVD
GP	00				
	P	REVISED PER ECO-11-004835	11MAR11	RK	HMR



- 1 COLD ROLLED STEEL.
- 2 STAINLESS STEEL.
- 3 ZINC PLATED .000200-.000400 THICK, YELLOW CHROMATE COATING.
- 4 ZINC PLATED .000200-.000400 THICK, CLEAR CHROMATE COATING.
- 5. PARTS PACKAGED UNASSEMBLED.
- 6 PARTS PACKAGED AS A UNIT KIT.
- 7 PARTS INDIVIDUALLY BULK PACKAGED & SHIPPED AS A UNIT PACKAGE.

7	4	5745136-4
6	4	5745136-3
7	3	5745136-2
6	3	5745136-1
PACKAGING	SCREW FINISH	PART NO

THIS DRAWING IS A CONTROLLED DOCUMENT.		DWN S.WAITMAN 29JUN05	TE Connectivity NAME - SCREW RETAINER KIT, AMPLIMITE -						
DIMENSIONS: INCHES		CHK C.ROHDE 29JUN05				SIZE	CAGE CODE	DRAWING NO	RESTRICTED TO
TOLERANCES UNLESS OTHERWISE SPECIFIED:		APVD M.WALMSLEY 29JUN05				A3	00779	C-5745136	-
0 PLC ± - 1 PLC ± - 2 PLC ± - 3 PLC ± .005 4 PLC ± - ANGLES ± -		PRODUCT SPEC -				CUSTOMER DRAWING		SCALE 4:1	SHEET 1 OF 1
MATERIAL FINISH		WEIGHT -	SCALE 4:1		SHEET 1 OF 1	REV P			
SCREWS: 1 RETAINERS: 2		SCREWS: SEE TABLE							