

Distributed by:

**JAMECO**<sup>®</sup>  
ELECTRONICS

**www.Jameco.com ♦ 1-800-831-4242**

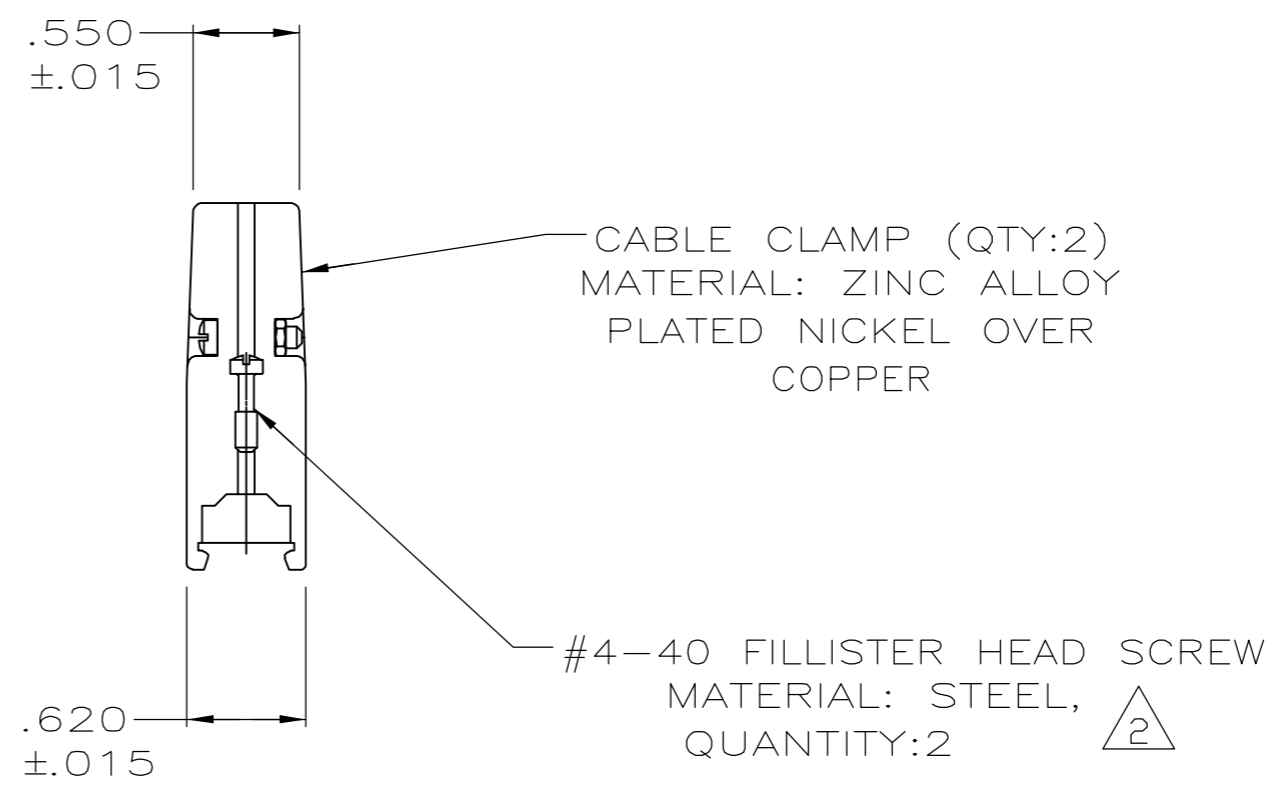
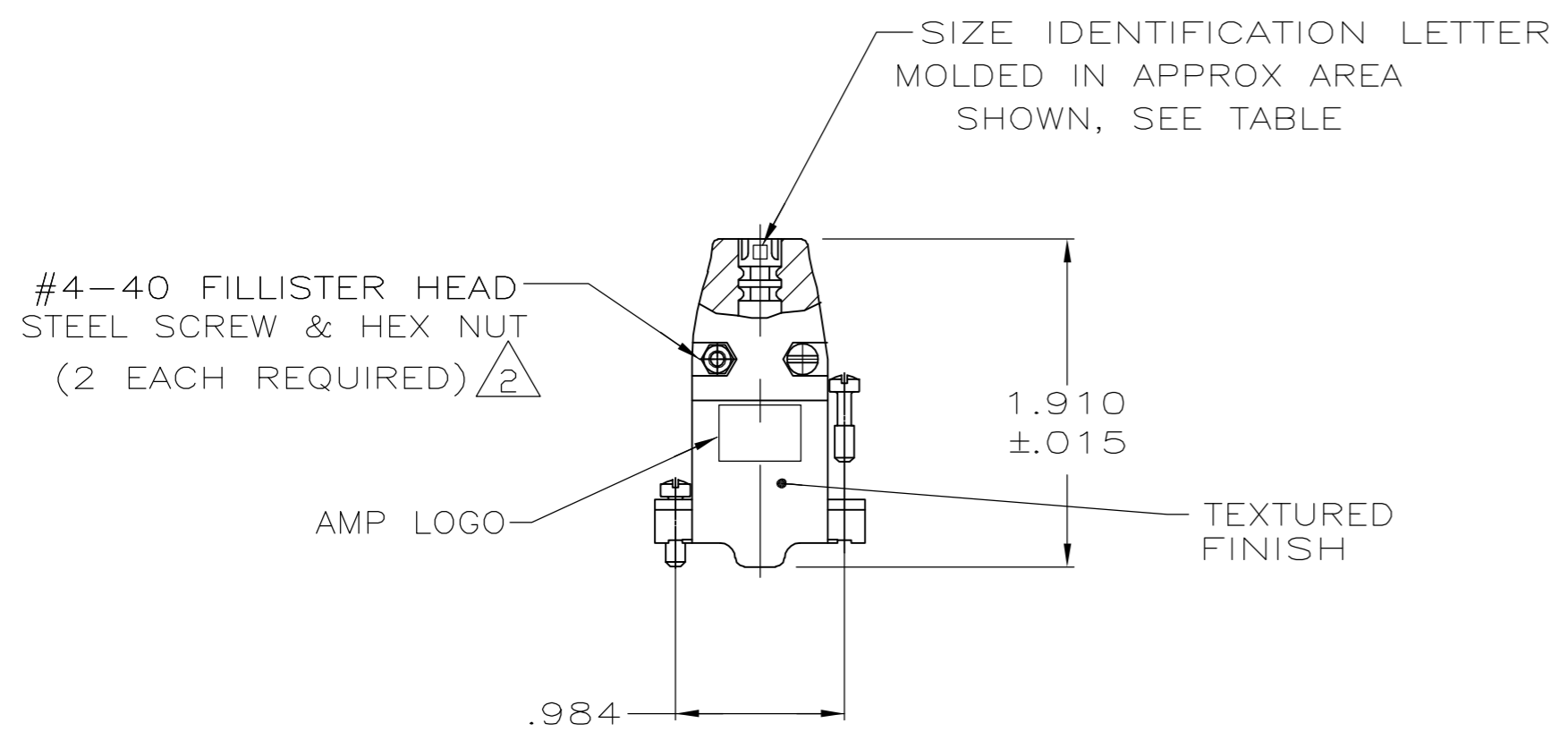
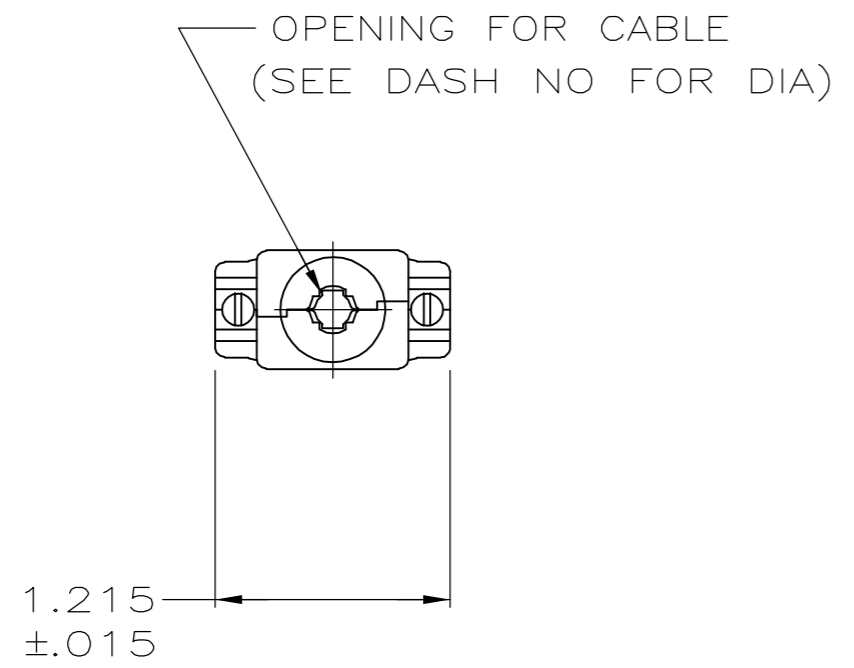
The content and copyrights of the attached  
material are the property of its owner.

Jameco Part Number 960116

THIS DRAWING IS UNPUBLISHED. RELEASED FOR PUBLICATION  
 © COPYRIGHT BY TYCO ELECTRONICS CORPORATION. ALL RIGHTS RESERVED.

LOC	DIST	REVISIONS			
P	LTR	DESCRIPTION	DATE	DWN	APVD
GP	00				
	01	REVISED PER ECO-06-010664	18AUG06	JRP	CR

- 1. PARTS PACKAGED UNASSEMBLED.
- △ ZINC PLATED .000200-.000400 THICK, CLEAR CHROMATE COATING.



H	.370	5745171-5
A	.200	5745171-2
C	.250	5745171-1
NECK IDENT	CABLE DIA	PART NO

**COPYRIGHT 2005  
 TYCO ELECTRONICS CORP  
 ALL RIGHTS RESERVED**

THIS DRAWING IS A CONTROLLED DOCUMENT.		DWN	B. MCMASTER	28JULY05	 Tyco Electronics Corporation Harrisburg, Pa 17105-3608
DIMENSIONS: INCHES		CHK	C. ROHDE	28JULY05	
TOLERANCES UNLESS OTHERWISE SPECIFIED:		APVD	M. WALMSLEY	28JULY05	
0 PLC ± - 1 PLC ± - 2 PLC ± - 3 PLC ± .005 4 PLC ± - ANGLES ± -		PRODUCT SPEC	NAME		
MATERIAL SEE CALLOUTS		FINISH	SEE CALLOUTS		CABLE CLAMP KIT, UNASSEMBLED, SIZE 1, 9 POSN, 180 DEGREES, AMPLIMITE
CUSTOMER DRAWING		WEIGHT	-		SIZE A2 CAGE CODE 00779 DRAWING NO C=5745171 RESTRICTED TO -
		SCALE	1:1		SHEET 1 OF 1 REV 01