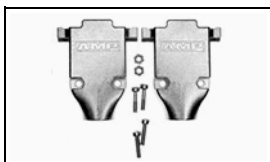


5745172-1 Product Details

[Share](#) [Print](#) [Email](#)



5745172-1

TE Internal Number: 5745172-1

Active

[View 3D PDF](#)

Cable Clamps

Always EU RoHS/ELV Compliant (Statement of Compliance)

Product Highlights:

- Backshell/Cable Clamp
- Cable Clamp Type = Two-Piece RFI/EMI Shield
- 180° Cable Exit Angle
- Cable Insulation Diameter = 9.53 mm
- 15 Positions

[View all Features](#)

Quick Links

- ▶ [Pricing & Availability](#)
- ▶ [Search for Tooling](#)
- ▶ [Product Feature Selector](#)
- ▶ [Contact Us About This Product](#)

[Add to My Part List](#) [Request Sample](#) [Find Similar Products](#) [Buy Product](#)

Documentation & Additional Information

Product Drawings:

- [CABLE CLAMP KIT, UNASSEMBLED, SIZE 2, 15 POSITION, 1...](#) (PDF, English)

Catalog Pages/Data Sheets:

- [AMPLIMITE Subminiature D Connectors - Cable Connectors](#) (PDF, English)

Product Specifications:

- [AMPLIMITE Shielded Cable Clamp Assemblies and Access...](#) (PDF, English)

Application Specifications:

- None Available

Instruction Sheets:

- [AMPLIMITE Connector HD-20 Shielded Cable Clamp Kits](#) (PDF, English)

CAD Files: (CAD Format & Compression Information)

- [2D Drawing](#) (DXF, Version 0)
- [3D Model](#) (IGES, Version 0)
- [3D Model](#) (STEP, Version 0)

[List all Documents](#)

Additional Information:

- [Product Line Information](#)

Related Products:

- [Tooling](#)

Product Features (Please use the Product Drawing for all design activity)

Product Type Features:

- [Product Type](#) = Backshell/Cable Clamp
- [Cable Clamp Type](#) = Two-Piece RFI/EMI Shield
- [Shell Size](#) = 2
- [Grommets](#) = Without
- [Thread Size](#) = 4-40

Mechanical Attachment:

- [Long Turnable Jackscrew Part No.](#) = 747784-3

Electrical Characteristics:

- [Shielded](#) = Yes

Dimensions:

- [Cable Insulation Diameter \(mm \[in\]\)](#) = 9.53 [0.375]

Body Features:

- [Cable Exit Angle](#) = 180°
- [Cable Clamp Material](#) = Die Cast
- [Shield Plating](#) = Bright Nickel over Copper

Configuration Features:

- [Number of Positions](#) = 15

Industry Standards:

- [RoHS/ELV Compliance](#) = RoHS compliant, ELV compliant
- [Lead Free Solder Processes](#) = Not relevant for lead free process
- [RoHS/ELV Compliance History](#) = Always was RoHS compliant

Packaging Features:

- [Packaging Method](#) = Individual Kit

Other:

- [Brand](#) = AMP
- [Comment](#) = Shielded cable clamps will not accept connector housings with clinch nuts.; Jackscrews must be purchased separately.; For use with Grommet Set Part No. 747746-1; All parts are packaged unassembled.

Corporate Information

- [About TE](#)
- [Investors](#)
- [News Room](#)
- [Supplier Portal](#)

Quick Links

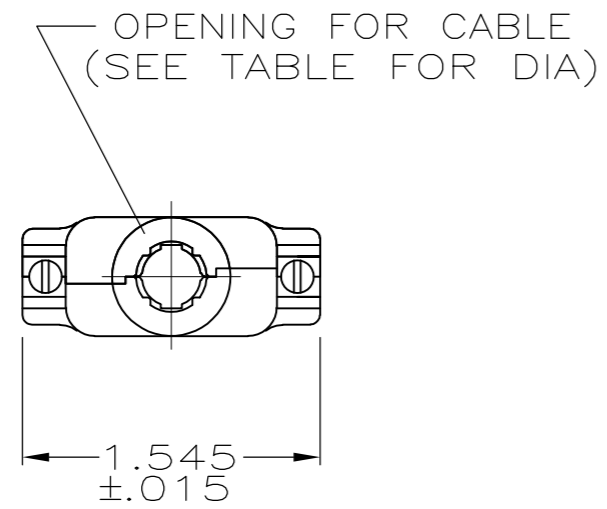
- [Distributor Inventory](#)
- [Product Cross Reference](#)
- [Documents & Drawings](#)
- [Product Compliance Support Center](#)

Customer Support

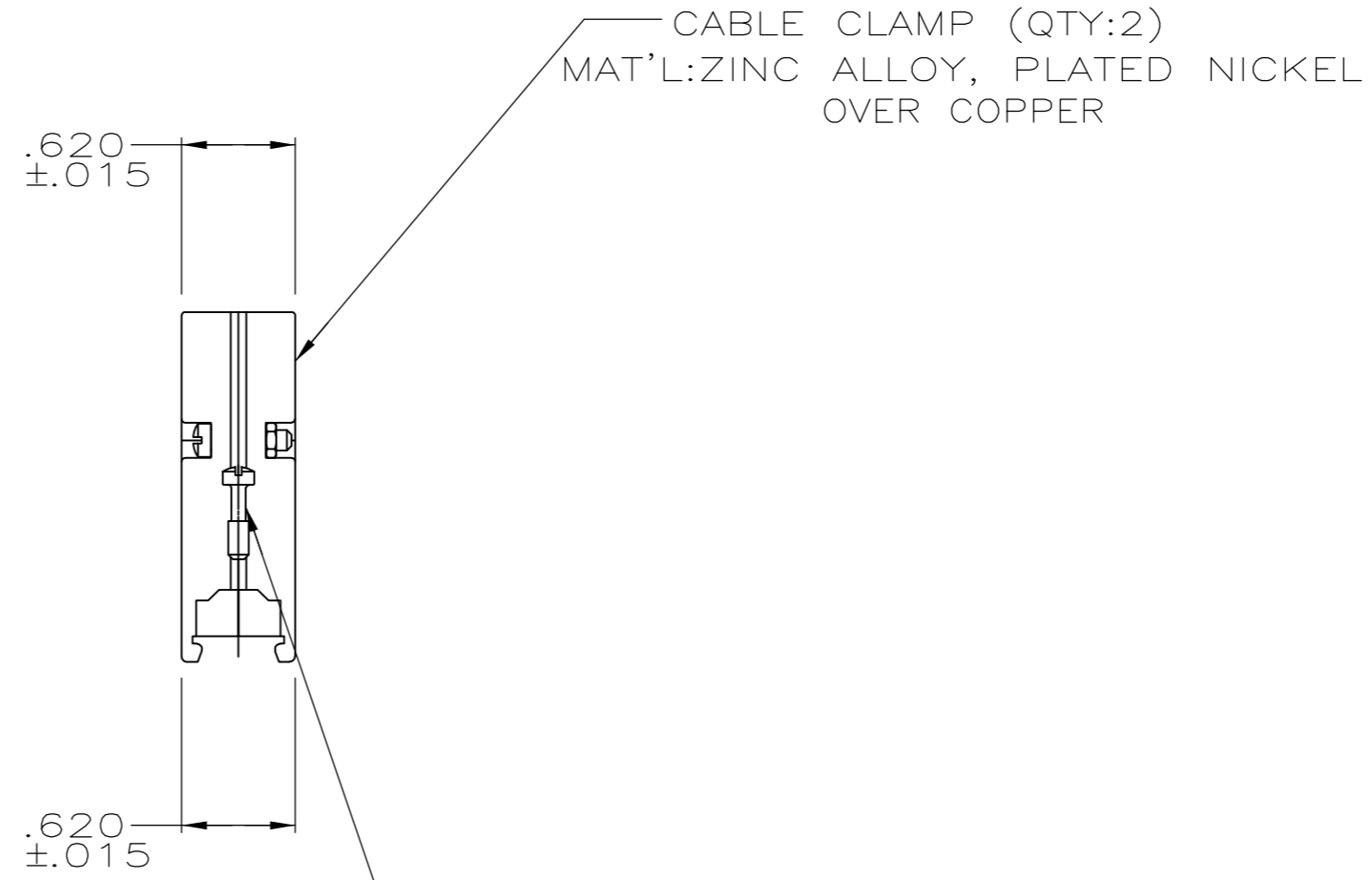
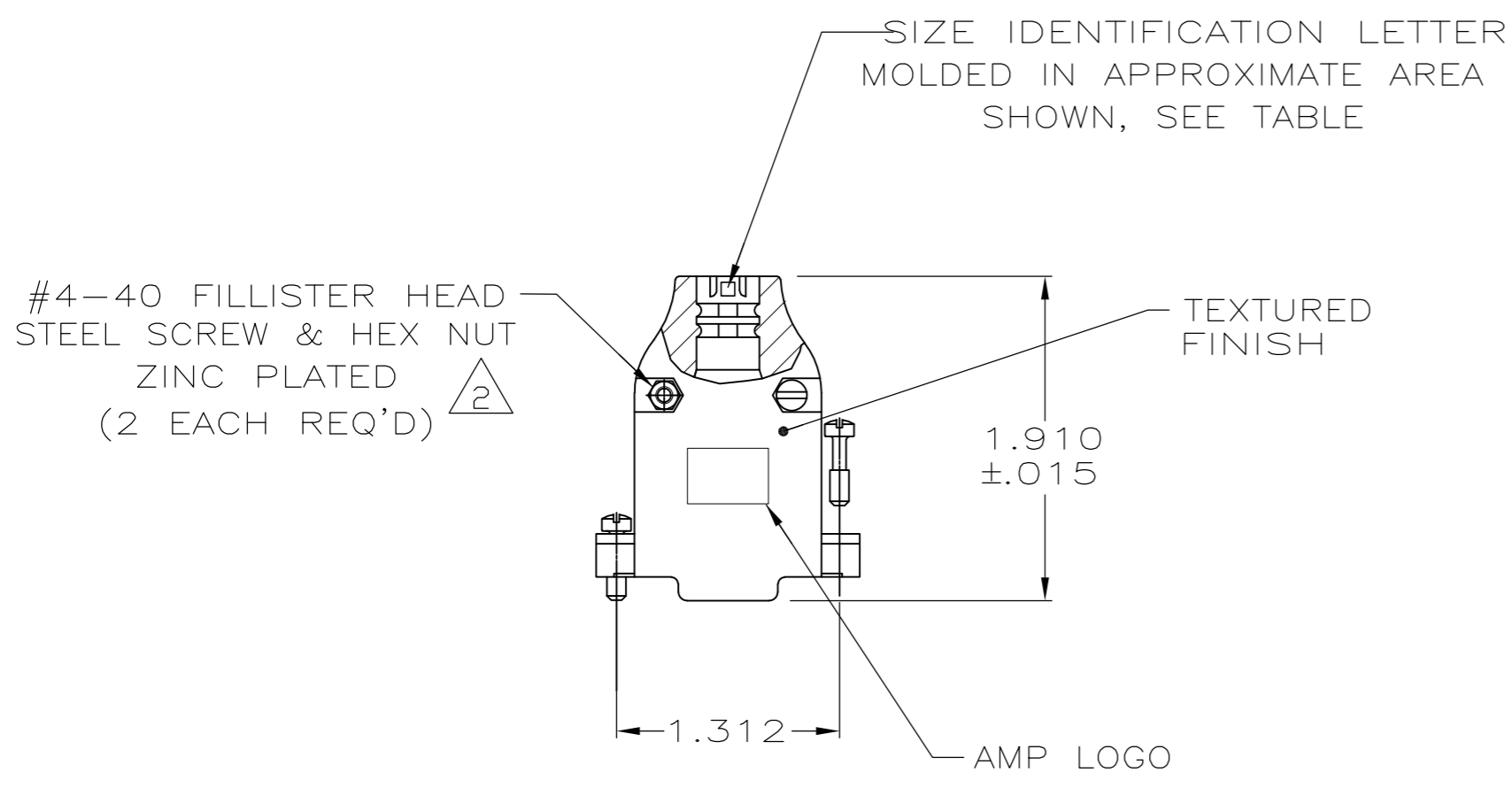
- [Email or Chat With Us](#)
- [Find a Phone Number](#)
- [Knowledge Base](#)
- [Manage Your Account](#)

THIS DRAWING IS UNPUBLISHED. RELEASED FOR PUBLICATION
 © COPYRIGHT - By - ALL RIGHTS RESERVED.

| LOC | DIST | REVISIONS | | | | | |
|-----|------|-----------|-----|---------------------------|---------|-----|------|
| GP | 00 | P | LTR | DESCRIPTION | DATE | DWN | APVD |
| | | P | | REVISED PER ECO-11-005033 | 23MAR11 | RK | HMR |



- 1. PARTS PACKAGED UNASSEMBLED.
- 2. ZINC PLATED .000200-.000400 THICK, CLEAR CHROMATE COATING.



| | | |
|------------|-----------|-------------|
| K | .430 | 1-5745172-3 |
| B | .225 | 5745172-3 |
| E | .300 | 5745172-2 |
| H | .375 | 5745172-1 |
| NECK IDENT | CABLE DIA | PART NO |

| | | | | |
|--|--|--------------------------------|--|--|
| THIS DRAWING IS A CONTROLLED DOCUMENT. | | DWN B. MCMASTER 02AUG05 | TE TE Connectivity | |
| DIMENSIONS: INCHES | | CHK J. GERACE 02AUG05 | | |
| TOLERANCES UNLESS OTHERWISE SPECIFIED: | | APVD M. WALMSLEY 02AUG05 | NAME CABLE CLAMP KIT, UNASSEMBLED, SIZE 2, 15 POSITION, 180 DEGREES, AMPLIMITE | |
| 0 PLC ± - | | PRODUCT SPEC | SIZE | |
| 1 PLC ± - | | APPLICATION SPEC | CAGE CODE | |
| 2 PLC ± - | | | DRAWING NO | |
| 3 PLC ± .005 | | | RESTRICTED TO | |
| 4 PLC ± - | | | A2 00779 C-5745172 | |
| ANGLES ± - | | WEIGHT | SCALE | |
| FINISH | | | 1:1 | |
| SEE CALLOUTS | | CUSTOMER DRAWING | SHEET 1 of 1 | |
| | | | REV P | |