



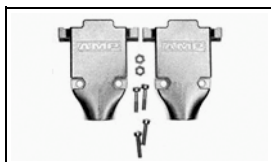
Have a Question?  
Chat with a Product  
Information Specialist

What can we help you find?

[Products](#) [Industries](#) [Resources](#) [About TE](#) [My Account](#) [Innovation](#) [Support Center](#)

## 5745173-2 Product Details

[Share](#) [Print](#) [Email](#)



**5745173-2**

TE Internal Number: 5745173-2

Active

[View 3D PDF](#)

### Cable Clamps

Always EU RoHS/ELV Compliant (Statement of Compliance)

### Product Highlights:

- Backshell/Cable Clamp
- Cable Clamp Type = Two-Piece RFI/EMI Shield
- 180° Cable Exit Angle
- Cable Insulation Diameter = 12.19 mm
- 25 Positions

[View all Features](#)

### Quick Links

- ▶ [Pricing & Availability](#)
- ▶ [Search for Tooling](#)
- ▶ [Product Feature Selector](#)
- ▶ [Contact Us About This Product](#)

[Add to My Part List](#) [Request Sample](#) [Find Similar Products](#) [Buy Product](#)

### Documentation & Additional Information

#### Product Drawings:

- [CABLE CLAMP KIT, SIZE 3, 180 DEGREE, AMPLIMITE](#) (PDF, English)

#### Catalog Pages/Data Sheets:

- [AMPLIMITE Subminiature D Connectors - Cable Connectors](#) (PDF, English)

#### Product Specifications:

- [AMPLIMITE Shielded Cable Clamp Assemblies and Access...](#) (PDF, English)

#### Application Specifications:

- None Available

#### Instruction Sheets:

- [AMPLIMITE Connector HD-20 Shielded Cable Clamp Kits](#) (PDF, English)

#### CAD Files: (CAD Format & Compression Information)

- [2D Drawing](#) (DXF, Version 0)
- [3D Model](#) (IGES, Version 0)
- [3D Model](#) (STEP, Version 0)

[List all Documents](#)

#### Additional Information:

- [Product Line Information](#)

#### Related Products:

- [Tooling](#)

### Product Features (Please use the Product Drawing for all design activity)

#### Product Type Features:

- [Product Type](#) = Backshell/Cable Clamp
- [Cable Clamp Type](#) = Two-Piece RFI/EMI Shield
- [Shell Size](#) = 3
- [Grommets](#) = Without
- [Thread Size](#) = 4-40

#### Mechanical Attachment:

- [Long Turnable Jackscrew Part No.](#) = 747784-3

#### Electrical Characteristics:

- [Shielded](#) = Yes

#### Dimensions:

- [Cable Insulation Diameter \(mm \[in\]\)](#) = 12.19 [0.480]

#### Body Features:

- [Cable Exit Angle](#) = 180°
- [Cable Clamp Material](#) = Die Cast
- [Shield Plating](#) = Bright Nickel over Copper

#### Configuration Features:

- [Number of Positions](#) = 25

#### Industry Standards:

- [RoHS/ELV Compliance](#) = RoHS compliant, ELV compliant
- [Lead Free Solder Processes](#) = Not relevant for lead free process
- [RoHS/ELV Compliance History](#) = Always was RoHS compliant

#### Packaging Features:

- [Packaging Method](#) = Individual Kit

#### Other:

- [Brand](#) = AMP
- [Comment](#) = Jackscrews must be purchased separately.; All parts are packaged unassembled.; Shielded cable clamps will not accept connector housings with clinch nuts.

### Corporate Information

- [About TE](#)
- [Investors](#)
- [News Room](#)
- [Supplier Portal](#)

### Quick Links

- [Distributor Inventory](#)
- [Product Cross Reference](#)
- [Documents & Drawings](#)
- [Product Compliance Support Center](#)

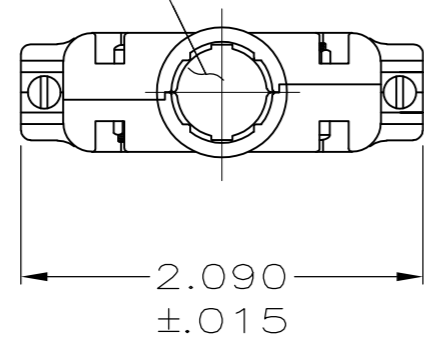
### Customer Support

- [Email or Chat With Us](#)
- [Find a Phone Number](#)
- [Knowledge Base](#)
- [Manage Your Account](#)

THIS DRAWING IS UNPUBLISHED. RELEASED FOR PUBLICATION  
 © COPYRIGHT - By - ALL RIGHTS RESERVED.

LOC	DIST	REVISIONS					
GP	00	P	LTR	DESCRIPTION	DATE	DWN	APVD
		P		REVISED PER ECO-11-004835	11MAR11	RK	HMR

OPENING FOR CABLE  
 (SEE DASH NO. FOR DIA.)



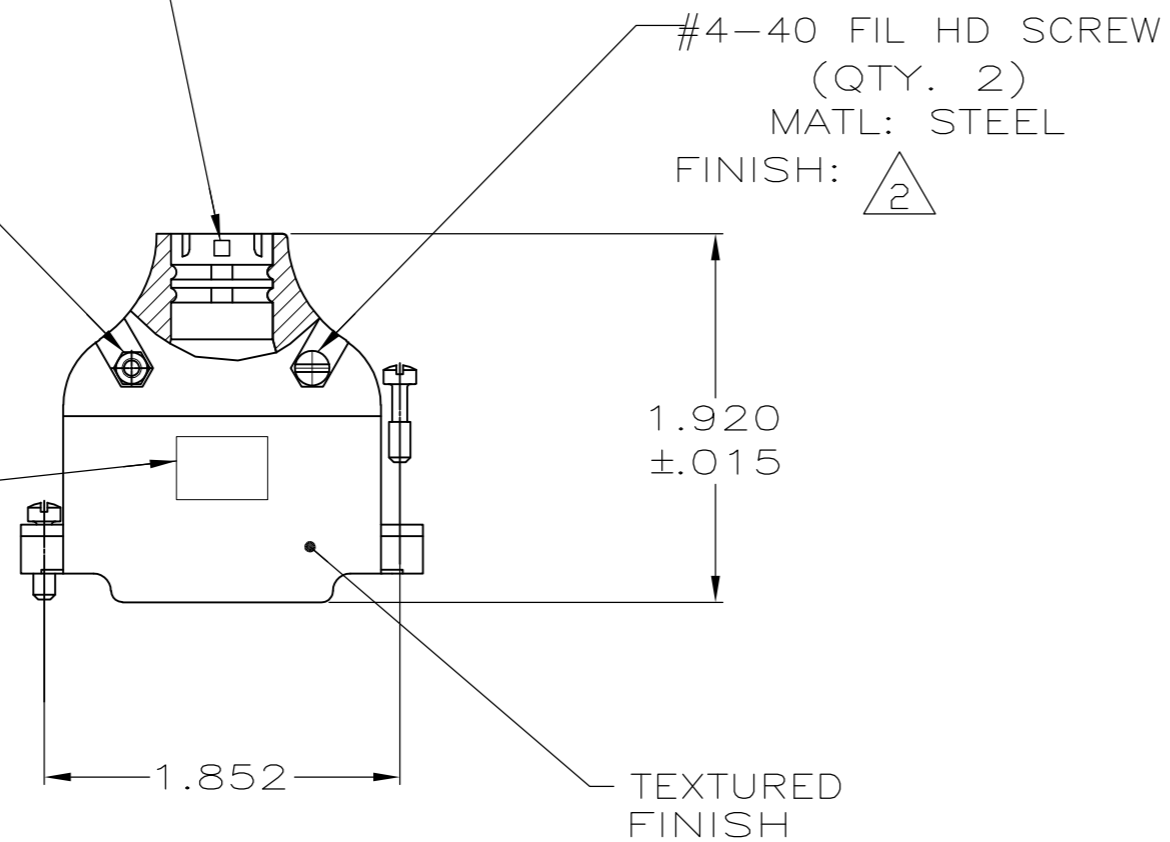
- PARTS PACKAGED UNASSEMBLED, AS A UNIT KIT.
- ZINC PLATED .000200-.000400 THICK, CLEAR CHROMATE COATING.

SIZE IDENTIFICATION LETTER  
 MOLDED IN APPROXIMATE AREA  
 SHOWN, SEE TABLE

#4-40 HEX NUT  
 (QTY. 2)  
 MATL: CARBON STEEL  
 FINISH:  $\triangle 2$

#4-40 FIL HD SCREW  
 (QTY. 2)  
 MATL: STEEL  
 FINISH:  $\triangle 2$

AMP LOGO



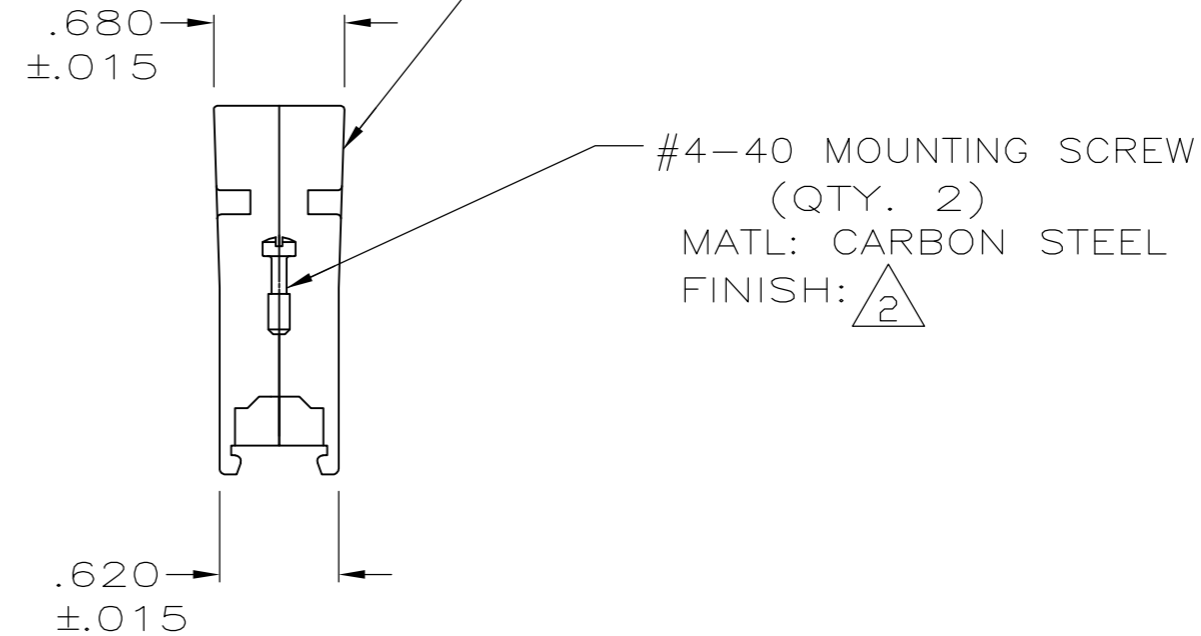
TEXTURED FINISH

CABLE CLAMP HALF  
 (QTY. 2)  
 MATL: ZINC ALLOY  
 FINISH: NICKEL OVER COPPER

.680  
 $\pm .015$

#4-40 MOUNTING SCREW  
 (QTY. 2)  
 MATL: CARBON STEEL  
 FINISH:  $\triangle 2$

.620  
 $\pm .015$



D	.280	5745173-5
G	.350	5745173-4
K	.430	5745173-3
M	.480	5745173-2
P	.530	5745173-1
NECK SIZE IDENT	MAX CABLE DIA	PART NUMBER

THIS DRAWING IS A CONTROLLED DOCUMENT.		DWN	B. MCMASTER	12AUG05																		
DIMENSIONS: INCHES		CHK	C. ROHDE	12AUG05																		
TOLERANCES UNLESS OTHERWISE SPECIFIED:		APVD	M. WALMSLEY	12AUG05																		
<table border="1"> <tr><td>0 PLC</td><td>±</td><td>-</td></tr> <tr><td>1 PLC</td><td>±</td><td>-</td></tr> <tr><td>2 PLC</td><td>±</td><td>-</td></tr> <tr><td>3 PLC</td><td>±</td><td>.005</td></tr> <tr><td>4 PLC</td><td>±</td><td>-</td></tr> <tr><td>ANGLES</td><td>±</td><td>-</td></tr> </table>		0 PLC	±	-		1 PLC	±	-	2 PLC	±	-	3 PLC	±	.005	4 PLC	±	-	ANGLES	±	-	PRODUCT SPEC	NAME
0 PLC	±	-																				
1 PLC	±	-																				
2 PLC	±	-																				
3 PLC	±	.005																				
4 PLC	±	-																				
ANGLES	±	-																				
MATERIAL SEE CALLOUTS		FINISH SEE CALLOUTS		WEIGHT	-	SIZE	A2	CAGE CODE	00779	DRAWING NO	C=5745173	RESTRICTED TO	-									
CUSTOMER DRAWING		SCALE		1:1	SHEET	1 of 1	REV	P														