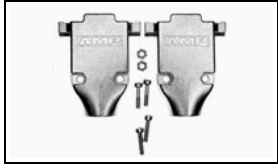


5745174-5 Product Details



5745174-5

TE Internal Number: 5745174-5



Cable Clamps

 Always EU RoHS/ELV Compliant (Statement of Compliance)

Product Highlights:

- Backshell/Cable Clamp
- Cable Clamp Type = Two-Piece RFI/EMI Shield
- 180° Cable Exit Angle
- Cable Insulation Diameter = 8.89 mm
- 37 Positions

Documentation & Additional Information

Product Drawings:

- [CABLE CLAMP KIT, SIZE 4, 37 POSITION, 180DEG, AMPLIMITE...](#) (PDF, English)

Catalog Pages/Data Sheets:

- [AMPLIMITE Subminiature D Connectors - Cable Connectors](#) (PDF, English)

Product Specifications:

- [AMPLIMITE Shielded Cable Clamp Assemblies and Access...](#) (PDF, English)

Application Specifications:

- None Available

Instruction Sheets:

- [AMPLIMITE Connector HD-20 Shielded Cable Clamp Kits](#) (PDF, English)

CAD Files: (CAD Format & Compression Information)

- [2D Drawing](#) (DXF, Version 0)
- [3D Model](#) (IGES, Version 0)
- [3D Model](#) (STEP, Version 0)

Additional Information:

- [Product Line Information](#)

Related Products:

- [Tooling](#)

Product Features (Please use the Product Drawing for all design activity)

Product Type Features:

- **Product Type** = Backshell/Cable Clamp
- **Cable Clamp Type** = Two-Piece RFI/EMI Shield
- **Shell Size** = 4
- **Grommets** = Without
- **Thread Size** = 4-40

Mechanical Attachment:

- Long Turnable Jackscrew Part No. = 747784-3

Electrical Characteristics:

- **Shielded** = Yes

Dimensions:

- **Cable Insulation Diameter (mm [in])** = 8.89 [0.350]

Body Features:

- **Cable Exit Angle** = 180°
- **Cable Clamp Material** = Die Cast
- **Shield Plating** = Bright Nickel over Copper

Configuration Features:

- **Number of Positions** = 37

Industry Standards:

- **RoHS/ELV Compliance** = RoHS compliant, ELV compliant
- **Lead Free Solder Processes** = Not relevant for lead free process
- **RoHS/ELV Compliance History** = Always was RoHS compliant

Identification Marking:

- **ID Letter** = F

Packaging Features:

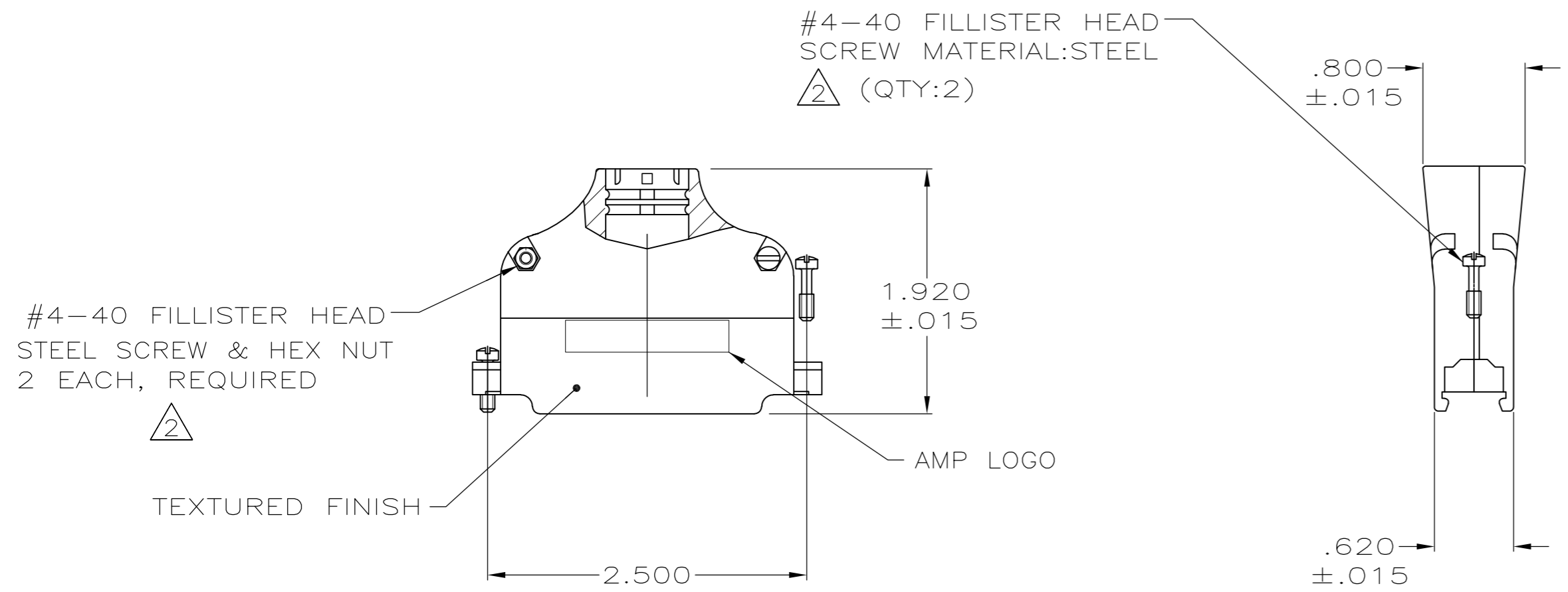
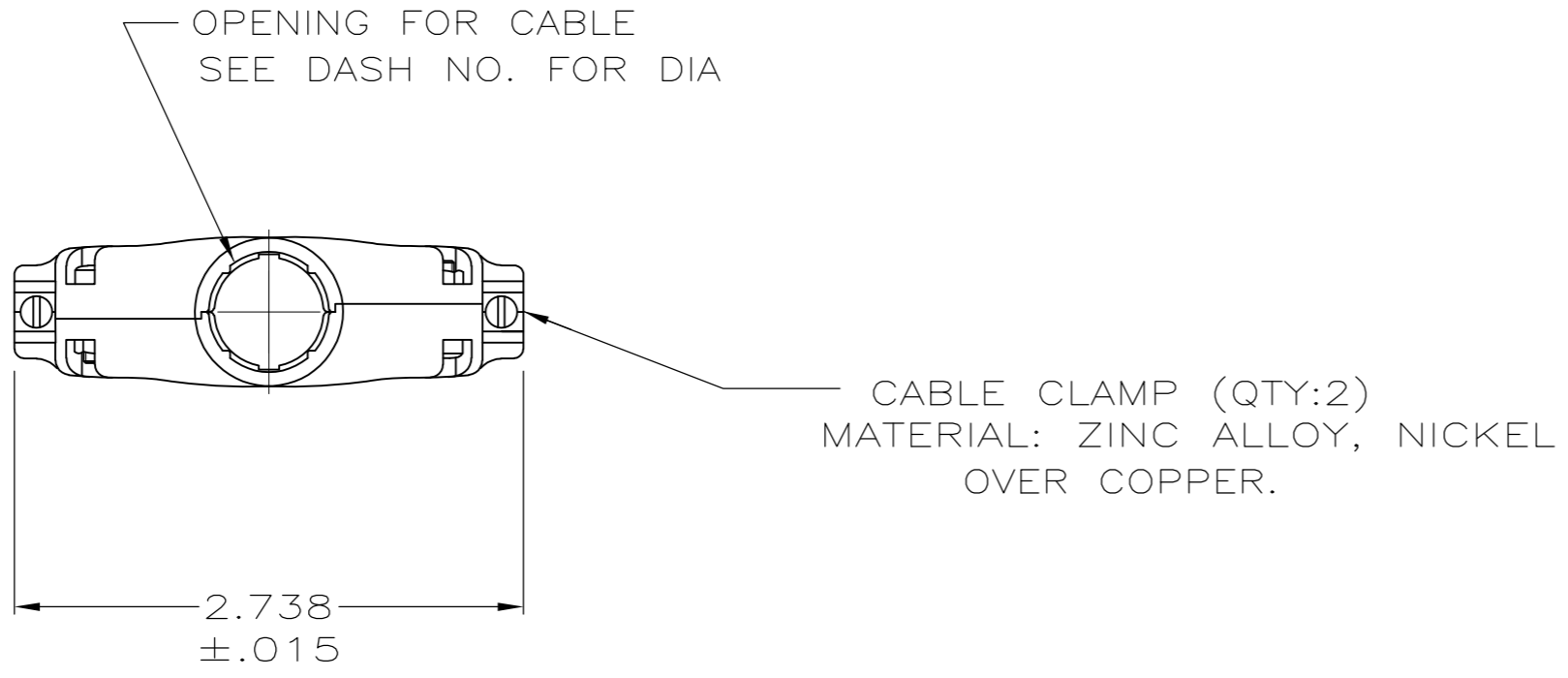
- **Packaging Method** = Individual Kit

Other:

- **Brand** = AMP
- **Comment** = Jackscrews must be purchased separately.; All parts are packaged unassembled.; Shielded cable clamps will not accept connector housings with clinch nuts.

THIS DRAWING IS UNPUBLISHED. RELEASED FOR PUBLICATION
 © COPYRIGHT - By - ALL RIGHTS RESERVED.

LOC	DIST	REVISIONS					
		P	LTR	DESCRIPTION	DATE	DWN	APVD
GP	00	P		REVISED PER ECO-11-004835	11MAR11	RK	HMR



#4-40 FILLISTER HEAD STEEL SCREW & HEX NUT 2 EACH, REQUIRED



TEXTURED FINISH

AMP LOGO

NECK IDENT	CABLE DIA	PART NO.
P	.530	2-5745174-7
F	.350	5745174-5
J	.425	5745174-4
N	.500	5745174-3
R	.575	5745174-2
T	.650	5745174-1

- 1. PARTS PACKAGED UNASSEMBLED.
- ZINC PLATED .000200-.000400 THICK, CLEAR CHROMATE COATING.

**COPYRIGHT 2005
 TE CONNECTIVITY CORP
 ALL RIGHTS RESERVED**

THIS DRAWING IS A CONTROLLED DOCUMENT.		DWN D. HENNY 8-13-05	TE Connectivity	
DIMENSIONS: INCHES		CHK C. ROHDE 8-13-05		
TOLERANCES UNLESS OTHERWISE SPECIFIED:		APVD M. WALMSLEY 8-13-05	NAME CABLE CLAMP KIT, SIZE 4, 37 POSITION, 180DEG, AMPLIMITE SERIES	
0 PLC ± -		PRODUCT SPEC	SIZE CAGE CODE DRAWING NO RESTRICTED TO	
1 PLC ± -		APPLICATION SPEC	A2 00779 C=5745174	
2 PLC ± -		WEIGHT	SCALE 1:1 SHEET 1 of 1 REV P	
3 PLC ± .005		CUSTOMER DRAWING		
4 PLC ± -				
ANGLES ± -				
MATERIAL SEE CALLOUTS		FINISH SEE CALLOUTS		