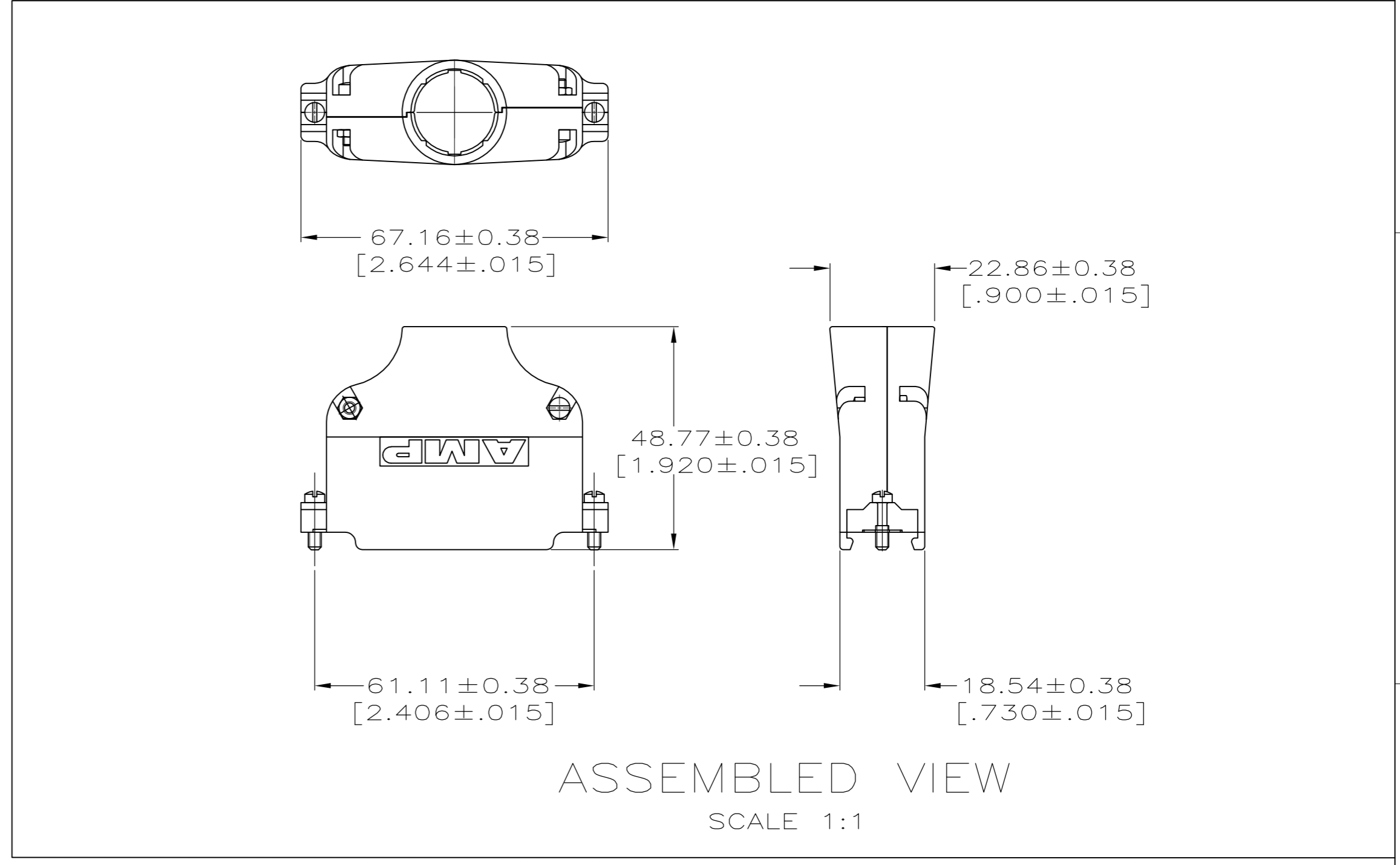
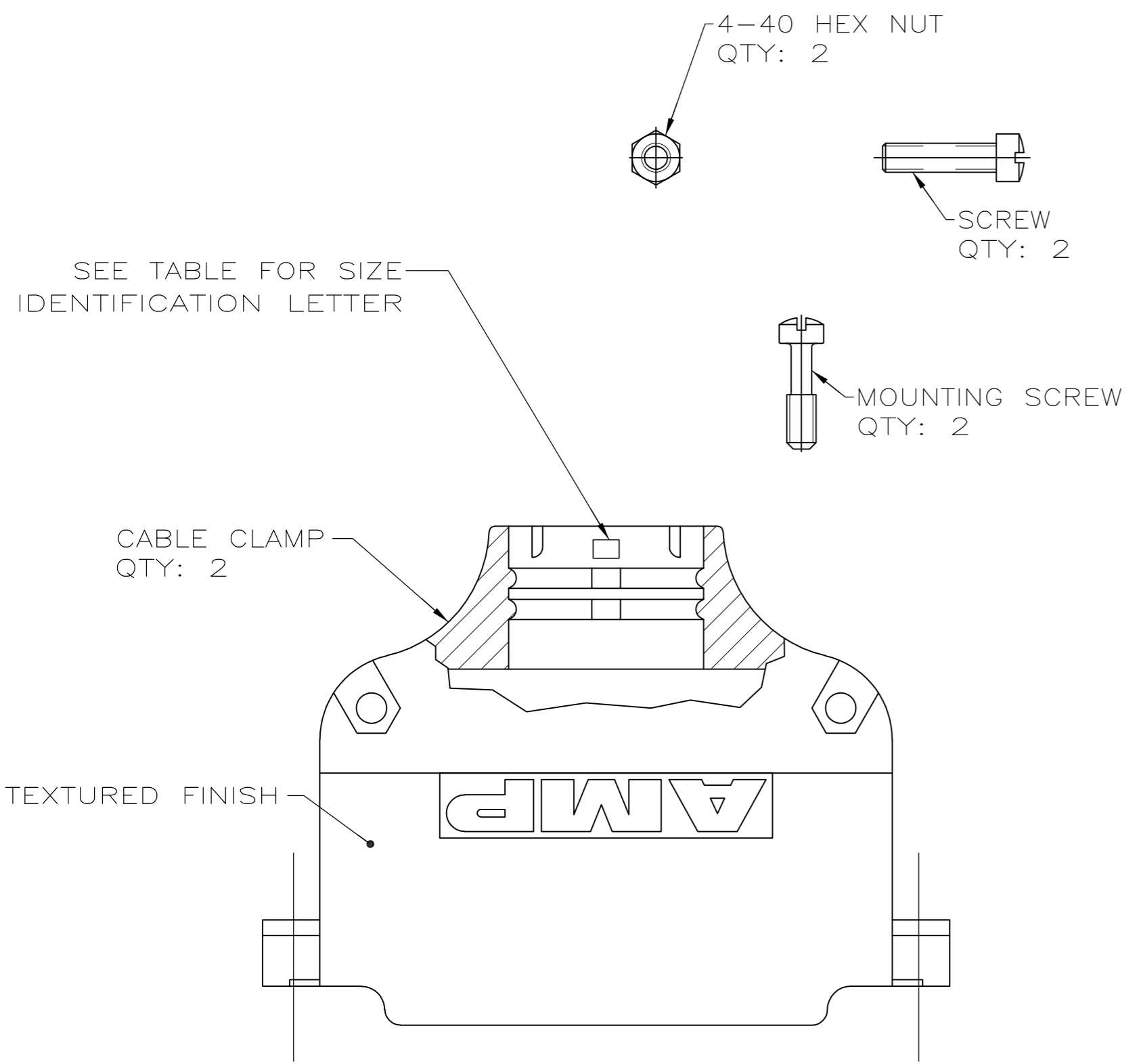


THIS DRAWING IS UNPUBLISHED. RELEASED FOR PUBLICATION
 © COPYRIGHT - By - ALL RIGHTS RESERVED.

LOC		DIST		REVISIONS			
P	LTR	DESCRIPTION		DATE	DWN	APVD	
GP	00	P		REVISED PER ECO-11-004835	11MAR11	RK HMR	



- ① SCREW: CARBON STEEL.
MOUNTING SCREW & HEX NUT: CARBON STEEL.
CABLE CLAMP: ZINC.
- ② SCREWS, MOUNTING SCREWS & HEX NUTS: ZINC PLATE 5.08 μm–10.16 μm [.000200–.000400] THICK, CLEAR CHROMATE COATING.
CABLE CLAMP: 5.08 μm [.000200] MIN NICKEL OVER 5.08 μm [.000200] MIN COPPER.

NECK SIZE I.D.	CABLE DIA	PART NO.
I	9.53 [.375]	5745175-6
L	11.43 [.450]	5745175-5
O	13.34 [.525]	5745175-4
S	15.24 [.600]	5745175-3
U	17.15 [.675]	5745175-2
V	19.05 [.750]	5745175-1

**COPYRIGHT 2005
TE CONNECTIVITY CORP
ALL RIGHTS RESERVED**

THIS DRAWING IS A CONTROLLED DOCUMENT.		DWN D. HENNY 8-13-05	TE TE Connectivity																	
DIMENSIONS: MM[INCHES]		CHK C. ROHDE 8-13-05																		
TOLERANCES UNLESS OTHERWISE SPECIFIED:		APVD M. WALMSLEY 8-13-05	NAME CABLE CLAMP KIT, UNASSEMBLED, SIZE 5, 50 POSITION, 180DEG, AMPLIMITE SERIES																	
<table border="0"> <tr><td>0 PLC</td><td>±</td><td>-</td></tr> <tr><td>1 PLC</td><td>±</td><td>-</td></tr> <tr><td>2 PLC</td><td>±</td><td>.013 [.005]</td></tr> <tr><td>3 PLC</td><td>±</td><td>-</td></tr> <tr><td>4 PLC</td><td>±</td><td>-</td></tr> <tr><td>ANGLES</td><td>±</td><td>-</td></tr> </table>		0 PLC			±	-	1 PLC	±	-	2 PLC	±	.013 [.005]	3 PLC	±	-	4 PLC	±	-	ANGLES	±
0 PLC	±	-																		
1 PLC	±	-																		
2 PLC	±	.013 [.005]																		
3 PLC	±	-																		
4 PLC	±	-																		
ANGLES	±	-																		
MATERIAL	FINISH	APPLICATION SPEC -	SIZE A2	CAGE CODE 00779	DRAWING NO C=5745175	RESTRICTED TO -														
CUSTOMER DRAWING		WEIGHT -	SCALE 2:1	SHEET 1 of 1	REV P															