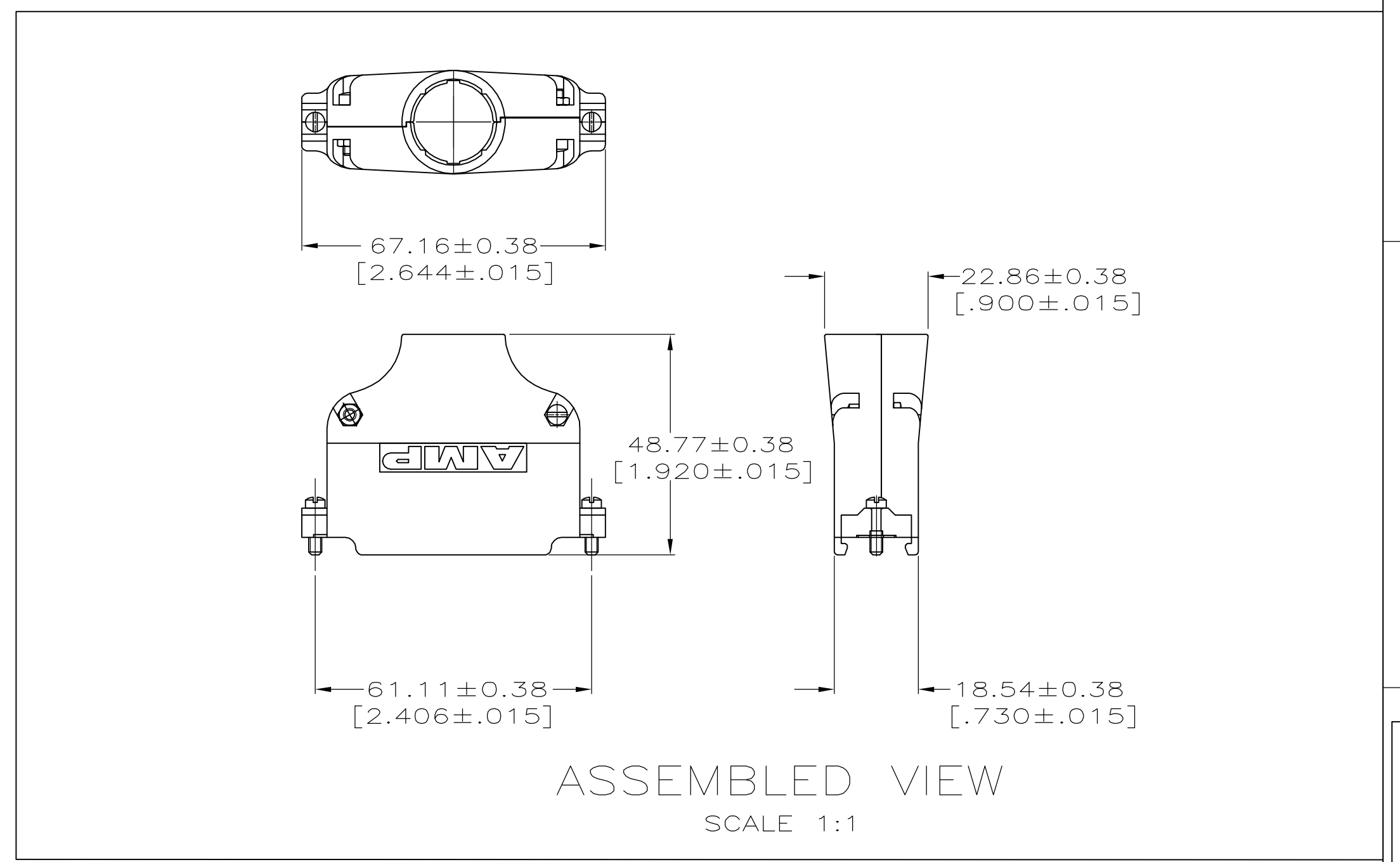
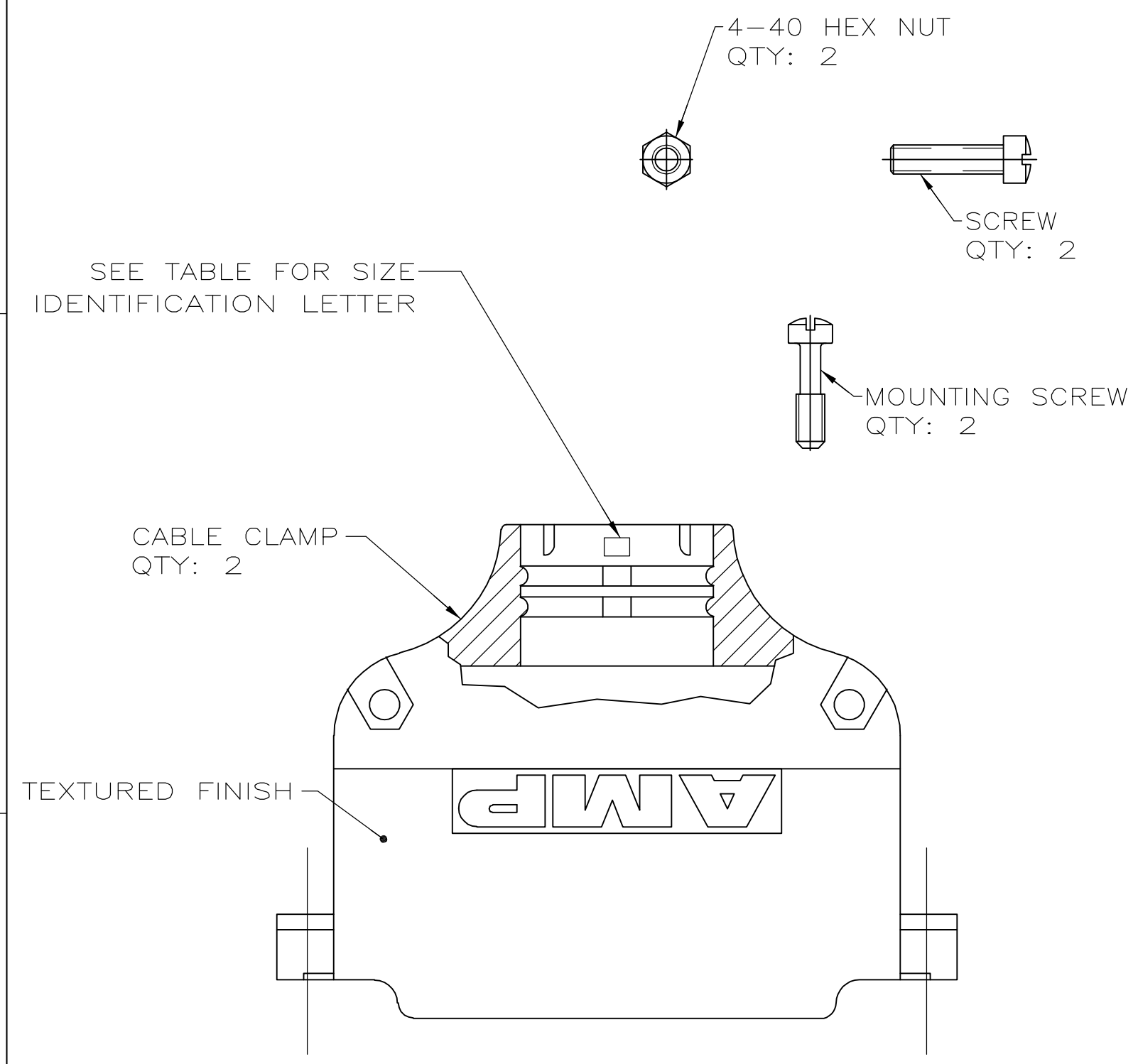


LOC	DIST	REVISIONS			
P	LTR	DESCRIPTION	DATE	DWN	APVD
GP	00	0	RELEASED PER EC 0513-0226-05	8-13-05	D.H. J.G.



- ① SCREW: CARBON STEEL.
MOUNTING SCREW & HEX NUT: CARBON STEEL.
CABLE CLAMP: ZINC.
- ② SCREWS, MOUNTING SCREWS & HEX NUTS: ZINC PLATE 5.08 μm–10.16 μm [.000200–.000400] THICK, CLEAR CHROMATE COATING.
CABLE CLAMP: 5.08 μm [.000200] MIN NICKEL OVER 5.08 μm [.000200] MIN COPPER.

I	9.53 [.375]	5745175-6
L	11.43 [.450]	5745175-5
O	13.34 [.525]	5745175-4
S	15.24 [.600]	5745175-3
U	17.15 [.675]	5745175-2
V	19.05 [.750]	5745175-1
NECK SIZE I.D.	CABLE DIA	PART NO.

**COPYRIGHT 2005
 TYCO ELECTRONICS CORP
 ALL RIGHTS RESERVED**

THIS DRAWING IS A CONTROLLED DOCUMENT.		DWN D. HENNY 8-13-05	Tyco Electronics Corporation Harrisburg, Pa 17105-3608	
DIMENSIONS: mm[INCHES]		CHK C. ROHDE 8-13-05	APVD M. WALMSLEY 8-13-05	
TOLERANCES UNLESS OTHERWISE SPECIFIED:		NAME CABLE CLAMP KIT, UNASSEMBLED, SIZE 5, 50 POSITION, 180', AMPLIMITE SERIES		
0 PLC ± -	1 PLC ± -	PRODUCT SPEC	SIZE	CAGE CODE
2 PLC ± .013 [.005]	3 PLC ± -	APPLICATION SPEC	A2	00779
4 PLC ± -	ANGLES ± ± -	FINISH	DRAWING NO	5745175
MATERIAL - ①	FINISH - ②	WEIGHT -	RESTRICTED TO	
CUSTOMER DRAWING			SCALE 2:1	SHEET 1 OF 1
			REV 0	