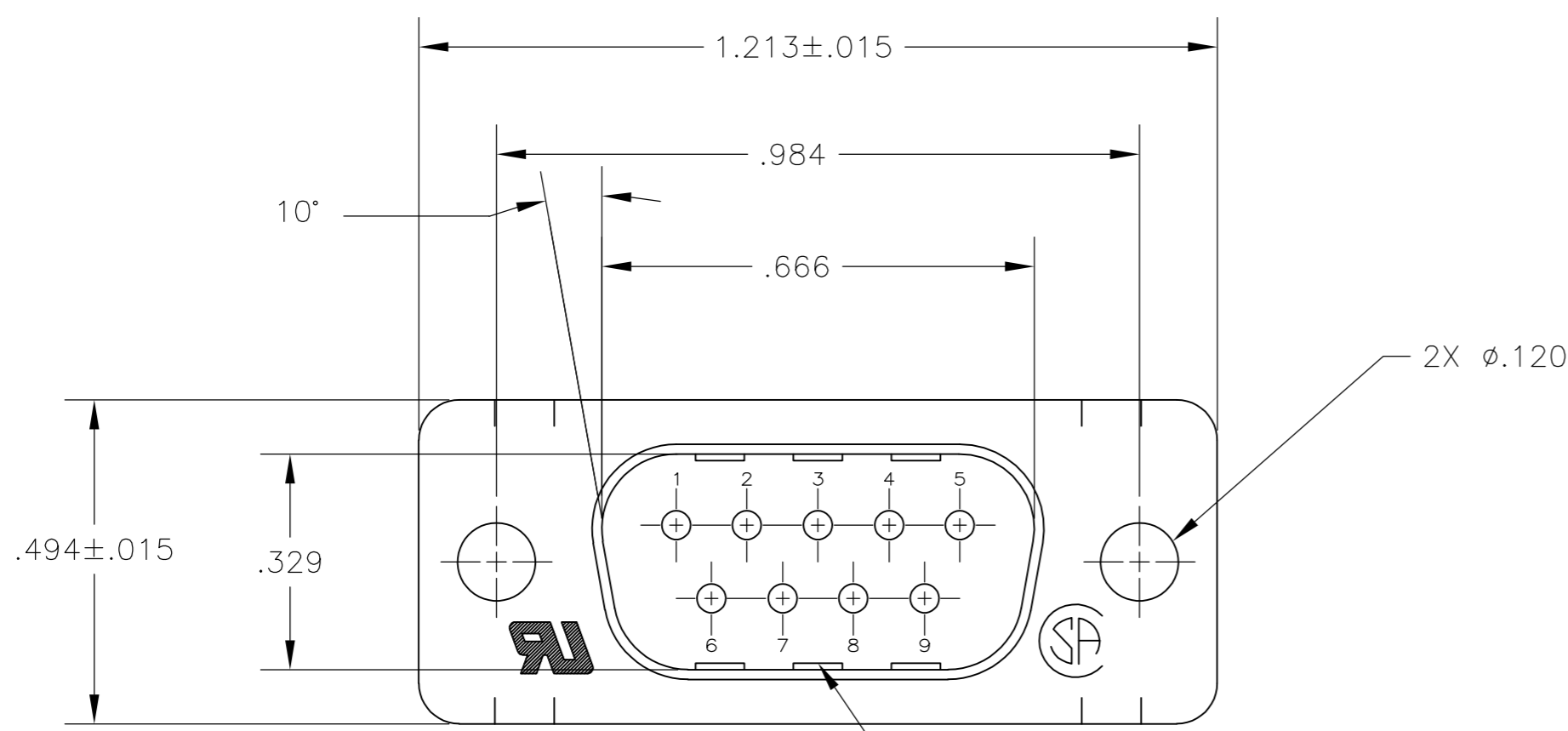
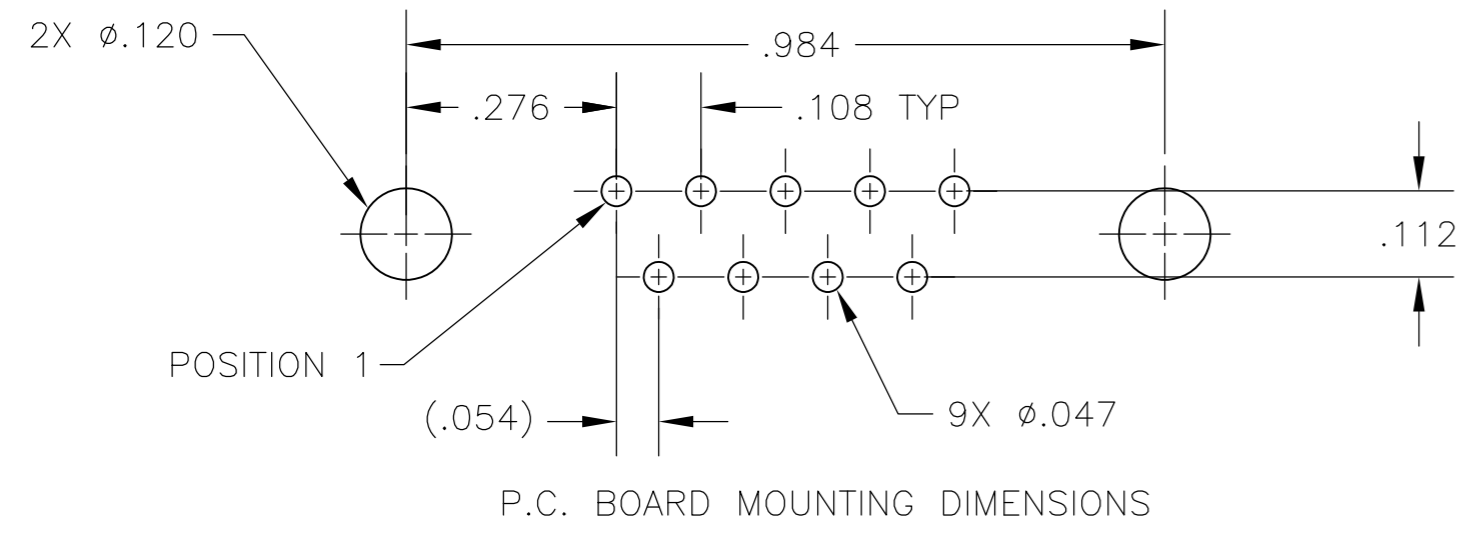
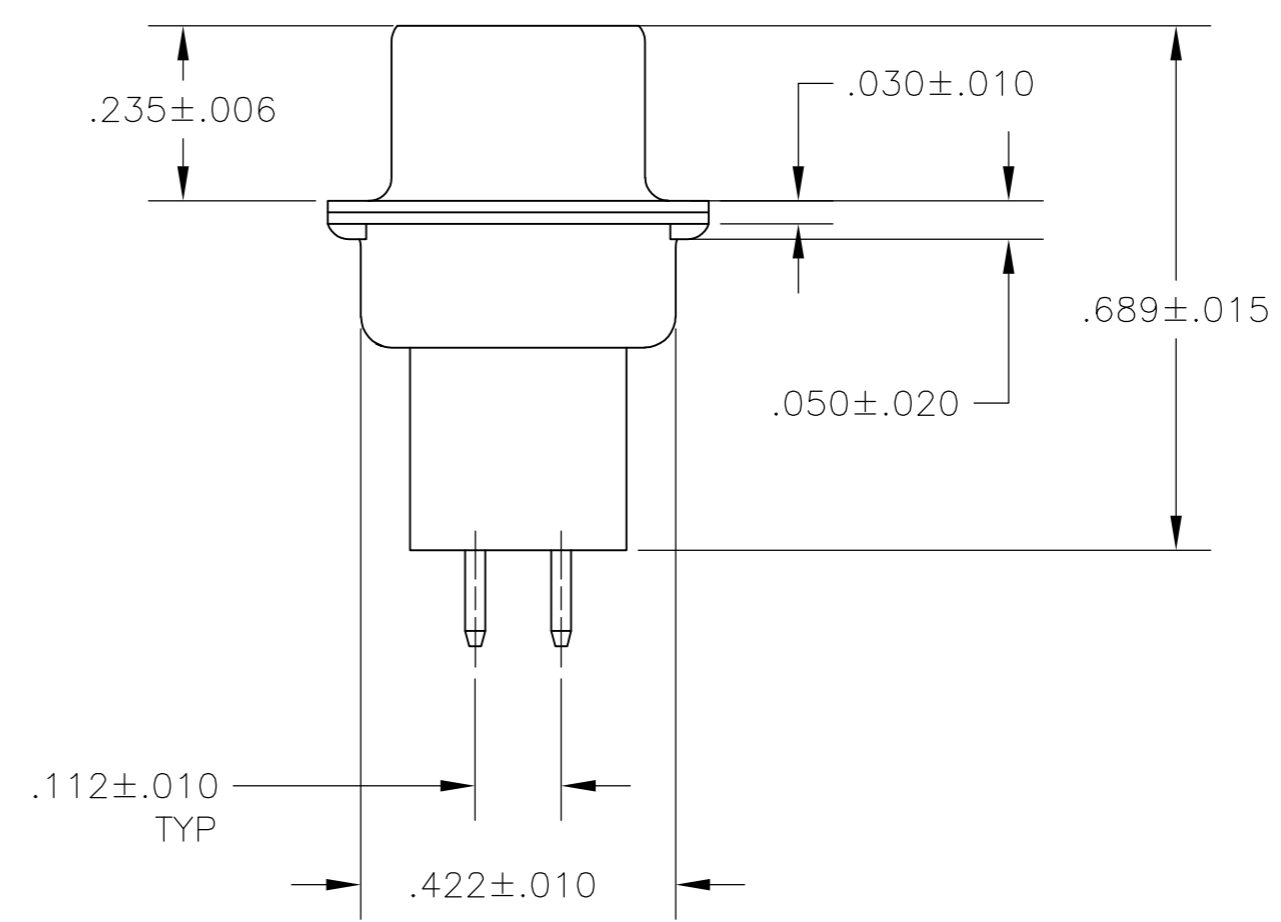
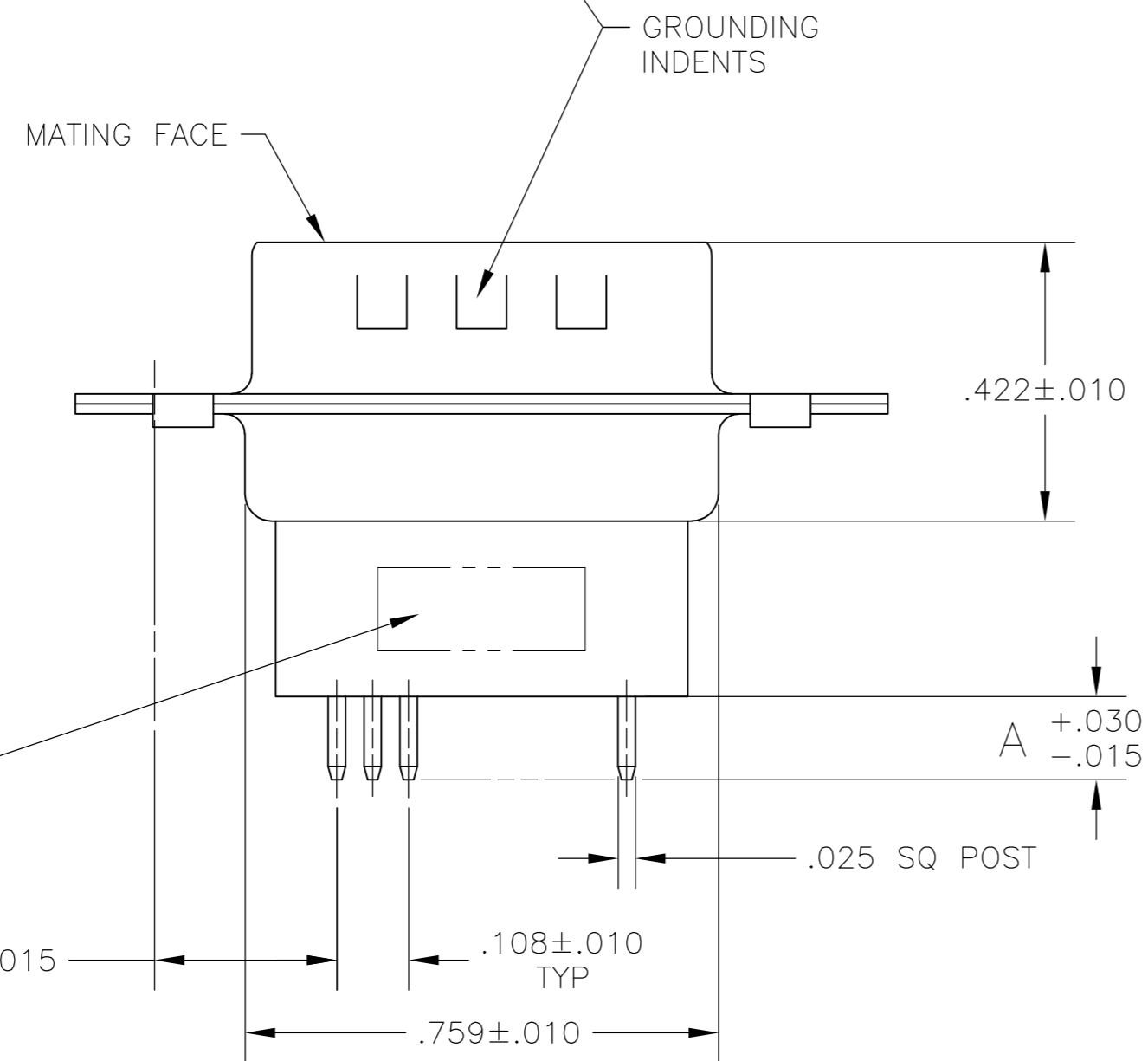


THIS DRAWING IS UNPUBLISHED. RELEASED FOR PUBLICATION
 © COPYRIGHT 2005 By - ALL RIGHTS RESERVED.

| Loc | | DIST | | REVISIONS | | | |
|-----|-----|-------------|---------------------------|-----------|-----|------|--|
| P | LTR | DESCRIPTION | | DATE | DWN | APVD | |
| GP | 00 | D | REVISED PER ECO-14-011808 | 11AUG2014 | AP | SB | |



- 1 MOLDED PARTS: GLASS-FILLED PBT OR GLASS-FILLED NYLON, UL94V-0 RATED. COLOR: BLACK.
SHELLS: CARBON STEEL
CONTACTS: BRASS
- 2 SHELLS: .000200 MIN TIN OVER .000100 MIN COPPER.
CONTACTS: GOLD PLATING FOR A LENGTH OF .150 MIN FROM MATING END, .000030 MIN GOLD IN MATED AREA, .000100 MIN TIN ON SOLDER END, BOTH OVER .000050 MIN NICKEL.
-OR-
GOLD FLASH OVER PALLADIUM-NICKEL PLATED FOR A LENGTH OF .150 MIN FROM MATING END, .000030 MIN TOTAL IN MATED AREA, .000100 MIN TIN ON SOLDER END, BOTH OVER .000050 MIN NICKEL.



| | |
|------|-----------|
| .188 | 5745410-7 |
| .125 | 5745410-1 |
| A | PART NO |

| | | | | | |
|--|--|------------------|-------------|---|-----------------|
| THIS DRAWING IS A CONTROLLED DOCUMENT. | | DWN | 15SEPT05 | | TE Connectivity |
| DIMENSIONS: INCHES | | CHK | 15SEPT05 | | |
| TOLERANCES UNLESS OTHERWISE SPECIFIED: | | APVD | 15SEPT05 | | |
| 0 PLC ± - 1 PLC ± - 2 PLC ± - 3 PLC ± .005 4 PLC ± - ANGLES ± - FINISH ± - | | NAME | M. WALMSLEY | | |
| | | PRODUCT SPEC | 108-40025 | PLUG ASSEMBLY, SIZE 1, 9 POSN, VERTICAL, .025 SQ. POSTS, GROUNDING INDENTS, AMPLIMITE HDP | |
| MATERIAL | | APPLICATION SPEC | 114-40013 | SIZE | A2 |
| 1 | | WEIGHT | - | CAGE CODE | 00779 |
| 2 | | CUSTOMER DRAWING | | DRAWING NO | C=5745410 |
| | | SCALE | NTS | SHEET | 1 of 1 |
| | | REV | D | | |