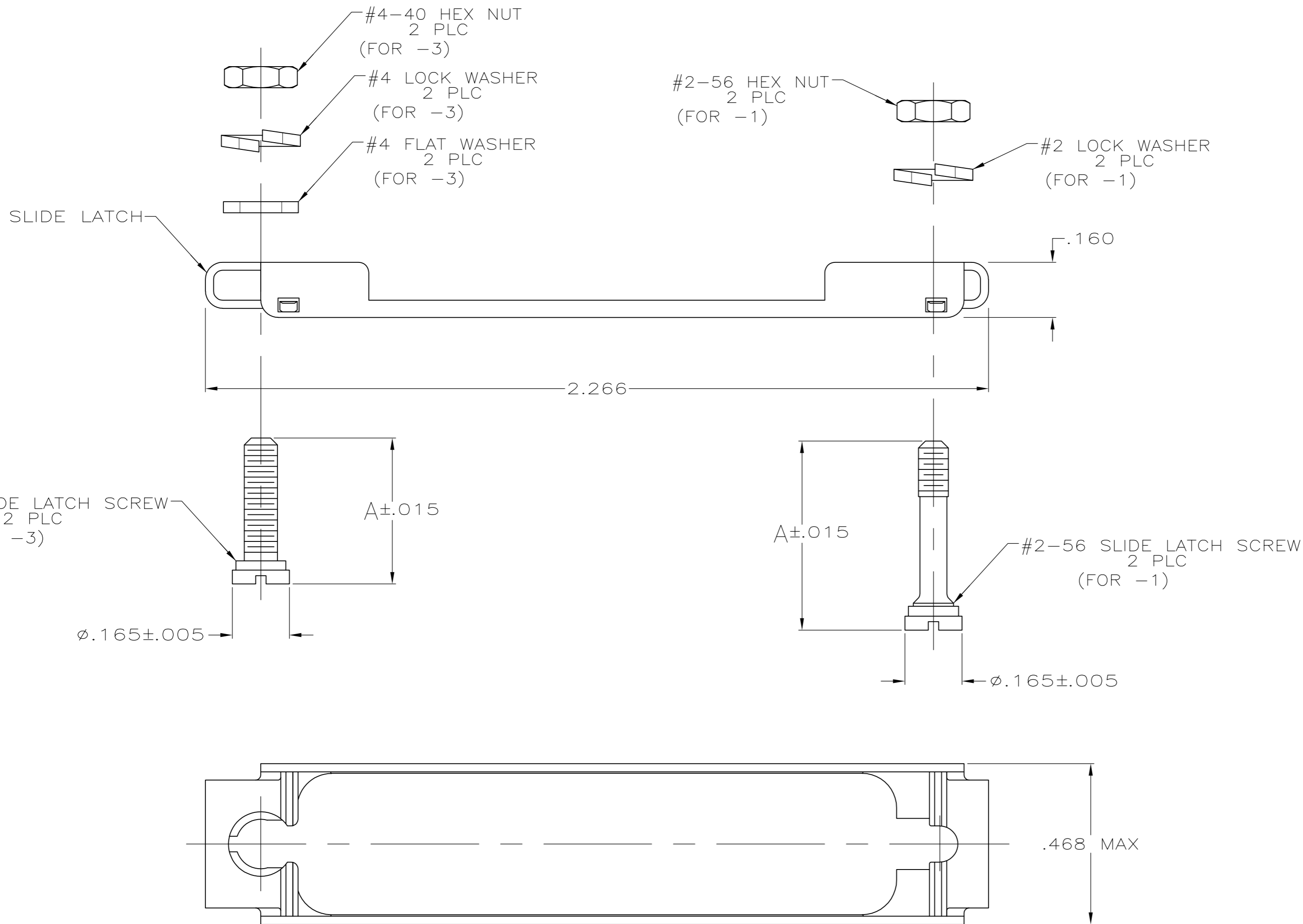


THIS DRAWING IS UNPUBLISHED. RELEASED FOR PUBLICATION
 © COPYRIGHT - By - ALL RIGHTS RESERVED.

LOC	DIST	REVISIONS			
P	LTR	DESCRIPTION	DATE	DWN	APVD
BD	0				
P		REVISED PER ECO-11-004835	11MAR11	RK	HMR



1. PARTS PACKAGED UNASSEMBLED.
2. PARTS PACKAGED AS A UNIT KIT.
- ③ ZINC PLATED .000200-.000400 THICK, CLEAR CHROMATE COATING.
- ④ ZINC PLATED .000200-.000400 THICK, YELLOW CHROMATE COATING.
- ⑤ THIS KIT CAN BE USED WITH TWO-PIECE STRAIGHT/90° EXIT CABLE CLAMPS, RFI/EMI CABLE CLAMPS OR UNIVERSAL CABLE CLAMPS.
- ⑥ THIS KIT CAN BE USED WITH STRAIGHT/45° EXIT ONE-PIECE CABLE CLAMPS, STRAIGHT/90° EXIT ONE-PIECE CABLE CLAMPS, OR ON CONNECTORS WITHOUT CABLE CLAMPS.

.415	④	#4-40	⑥	5745584-3
.547	③	#2-56	⑤	5745584-1
A	HARDWARE FINISH	THREAD TYPE	PART NO	

DIMENSIONS:		TOLERANCES UNLESS OTHERWISE SPECIFIED:		DWN		30JUN05	
INCHES		0 PLC	± -	S.WAITMAN		TE Connectivity	
		1 PLC	± -	CHK J.GERACE	30JUN05	NAME	
		2 PLC	± -	APVD M.WALMSLEY	30JUN05	KIT, SLIDE LATCH, SIZE 3, 25 POSITION, AMPLIMITE	
		3 PLC	± .010	PRODUCT SPEC		SIZE	CAGE CODE
		4 PLC	± -	APPLICATION SPEC		A2	00779
		ANGLES	± -	WEIGHT	-	DRAWING NO	RESTRICTED TO
MATERIAL	FINISH	HARDWARE: SEE TABLE		C=5745584		SCALE	SHEET
SLIDE LATCH: STAINLESS STEEL				CUSTOMER DRAWING		4:1	1 of 1
HARDWARE: STEEL						REV	P