

THIS DRAWING IS UNPUBLISHED.

RELEASED FOR PUBLICATION

---

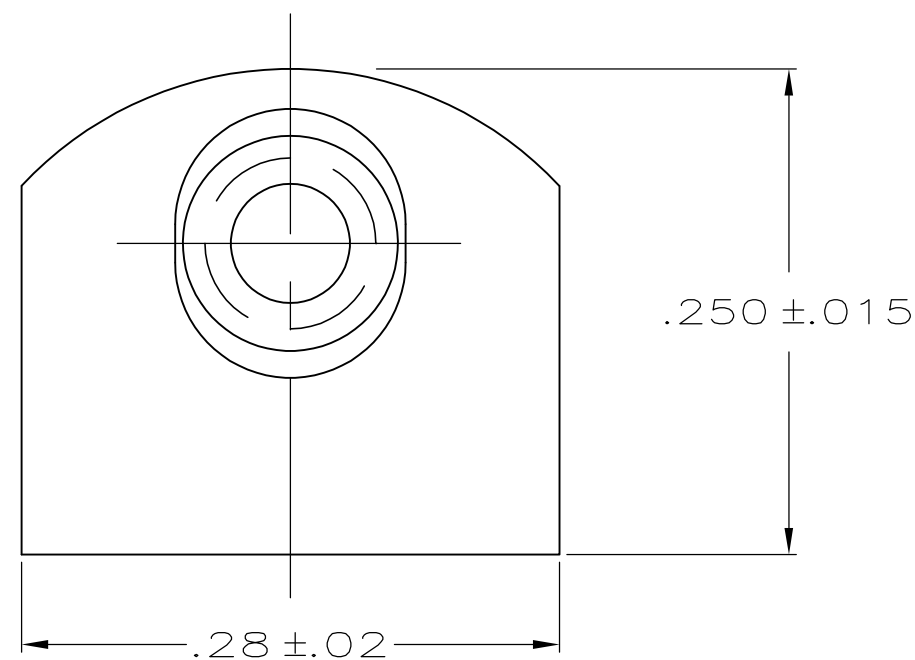
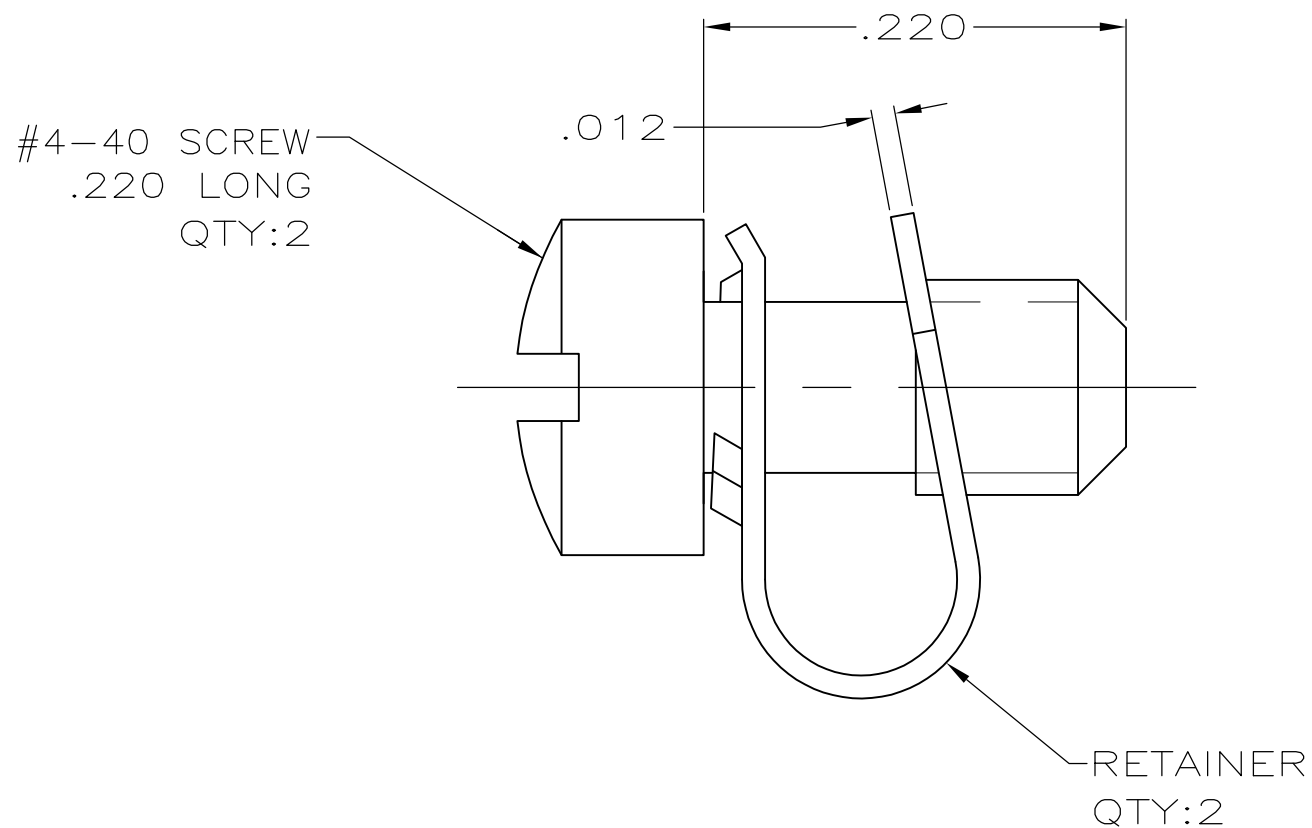
© COPYRIGHT - By -

ALL RIGHTS RESERVED.

LOC GP DIST 00

REVISIONS

P	LTR	DESCRIPTION	DATE	DWN	APVD
P		REVISED PER ECO-11-004835	11MAR11	RK	HMR



- 1. PARTS PACKAGED UNASSEMBLED.
- 2. ZINC PLATED .000200-.000400 THICK, YELLOW CHROMATE COATING.
- 3. STAINLESS STEEL.
- 4. PARTS PACKAGED AS A UNIT KIT.

5745647-1  
PART NUMBER

THIS DRAWING IS A CONTROLLED DOCUMENT.		DWN S.WAITMAN 11JUL05	<b>STE</b> TE Connectivity														
DIMENSIONS: INCHES		CHK C.ROHDE 11JUL05															
TOLERANCES UNLESS OTHERWISE SPECIFIED:		APVD M.WALMSLEY 11JUL05	NAME KIT, SCREW RETAINER, AMPLIMITE HDE														
<table border="1"> <tr><td>0 PLC</td><td>± -</td></tr> <tr><td>1 PLC</td><td>± -</td></tr> <tr><td>2 PLC</td><td>± -</td></tr> <tr><td>3 PLC</td><td>± .010</td></tr> <tr><td>4 PLC</td><td>± -</td></tr> <tr><td>ANGLES</td><td>± -</td></tr> </table>		0 PLC	± -	1 PLC	± -	2 PLC	± -	3 PLC	± .010	4 PLC	± -	ANGLES	± -	PRODUCT SPEC -	APPLICATION SPEC -		
0 PLC	± -																
1 PLC	± -																
2 PLC	± -																
3 PLC	± .010																
4 PLC	± -																
ANGLES	± -																
MATERIAL SCREWS: STEEL		FINISH	SIZE A3	CAGE CODE 00779	DRAWING NO C-5745647												
RETAINERS: 3		SCREWS: 2	WEIGHT -	RESTRICTED TO -													
CUSTOMER DRAWING			SCALE 10:1	SHEET 1 OF 1	REV P												