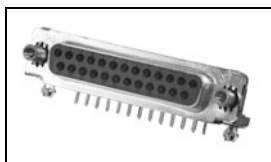


5745781-4 Product Details

[Share](#) [Print](#) [Email](#)



5745781-4

TE Internal Number: 5745781-4

Active

[View 3D PDF](#)

Standard Board Mount Connectors

Always EU RoHS/ELV Compliant (Statement of Compliance)

Product Highlights:

- 9 Positions
- Connector Style = Receptacle
- PCB Mounting Orientation = Right Angle
- Product Series = HD 20
- With Mating Connector Lock

[View all Features](#)

Quick Links

- ▶ [Pricing & Availability](#)
- ▶ [Search for Tooling](#)
- ▶ [View Mating Products \(16\)](#)
- ▶ [Product Feature Selector](#)
- ▶ [Contact Us About This Product](#)

[Add to My Part List](#) [Request Sample](#) [Find Similar Products](#) [Buy Product](#)

Documentation & Additional Information

Product Drawings:

- [RCPT ASSY, SIZE 1, 9 POSN, RTANG, AMPLIMITE HD-20, W...](#) (PDF, English)

Catalog Pages/Data Sheets:

- [AMPLIMITE Subminiature D Connectors - Right-Angle Po...](#) (PDF, English)

Product Specifications:

- None Available

Application Specifications:

- None Available

Instruction Sheets:

- None Available

CAD Files: [\(CAD Format & Compression Information\)](#)

- [2D Drawing](#) (DXF, Version 0)
- [3D Model](#) (IGES, Version 0)
- [3D Model](#) (STEP, Version 0)

[List all Documents](#)

Additional Information:

- [Product Line Information](#)

Additional Product Images:

- [Product Photo](#)

Related Products:

- [Tooling](#)
- [Mating Products \(16\)](#)

Product Features (Please use the Product Drawing for all design activity)

Product Type Features:

- [PCB Mounting Orientation](#) = Right Angle
- [Product Series](#) = HD 20
- [Mating Connector Lock](#) = With
- [Mating Connector Lock Type](#) = Threaded Insert, 4-40 UNC
- [PCB Mount Retention](#) = Without
- [PCB Mount Retention Type](#) = Mounting Hole(s)
- [Shell Type](#) = Front Metal Shell
- [Shell Size](#) = 1
- [Footprint \(mm \[in\]\)](#) = 8.08 [.318]
- [Grounding Indents](#) = Without
- [Grounding Straps](#) = With
- [PCB Mount Style](#) = Through Hole
- [Color Code](#) = None
- [Sealed](#) = No
- [Profile](#) = Standard
- [Post Size \(mm \[in\]\)](#) = 0.66 [.026]
- [Mounting Hole Diameter \(mm \[in\]\)](#) = 3.18 [.125]
- [Shell Material](#) = Steel
- [Threaded Insert Material](#) = Zinc
- [Eyelet Material](#) = Brass

Mechanical Attachment:

- [Panel Mount Retention](#) = Without

Termination Features:

- [Grounding Clips](#) = Without
- [Termination Post Length \(mm \[in\]\)](#) = 3.18 [0.125]
- [Solder Tail Contact Plating](#) = Tin

Dimensions:

- [PCB Thickness, Recommended \(in \[mm\]\)](#) = 0.093 [2.36]

Body Features:

- [Shell Plating](#) = Tin
- [Threaded Insert Plating](#) = Clear Chromate
- [Eyelet Plating](#) = Tin

Contact Features:

- [Contact Plating, Mating Area, Material](#) = Gold (30)
- [Contact Shape](#) = Round
- [Contact Base Material](#) = Phosphor Bronze

Housing Features:

- [Connector Style](#) = Receptacle
- [UL Flammability Rating](#) = UL 94V-0
- [Housing Material](#) = Thermoplastic - GF

Configuration Features:

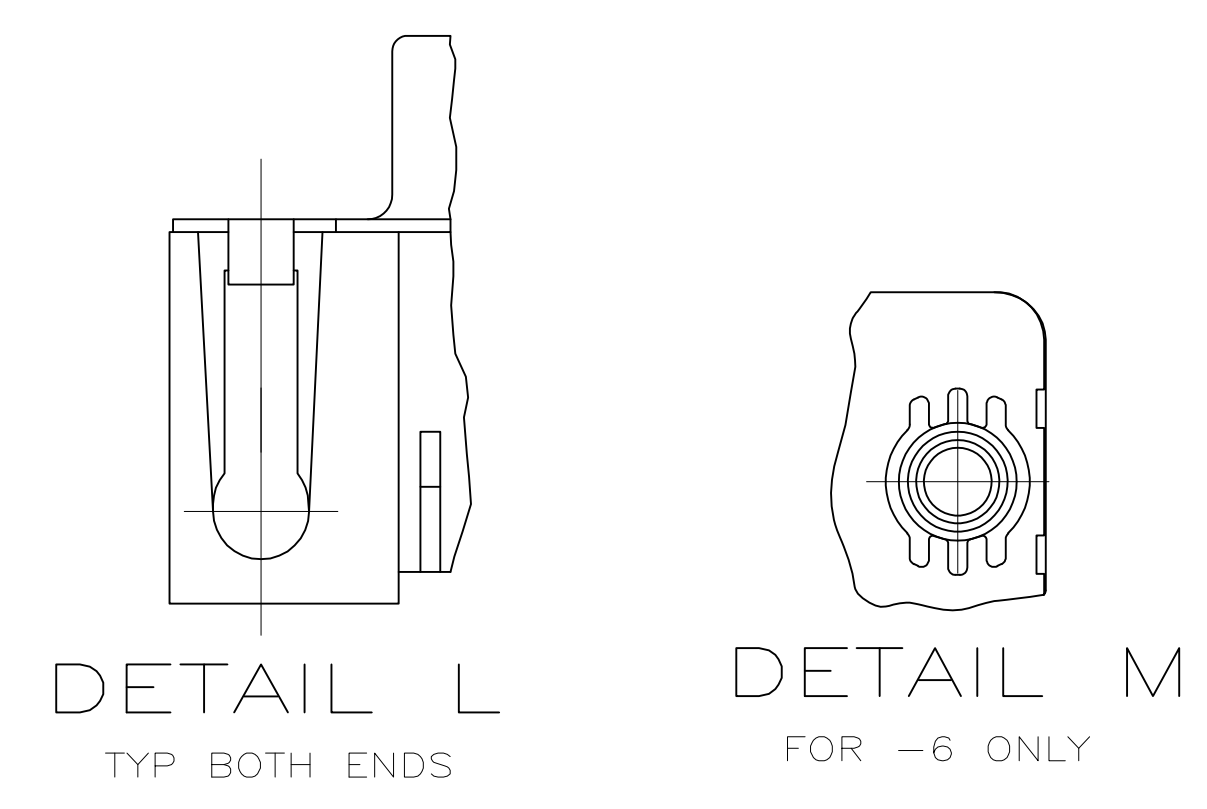
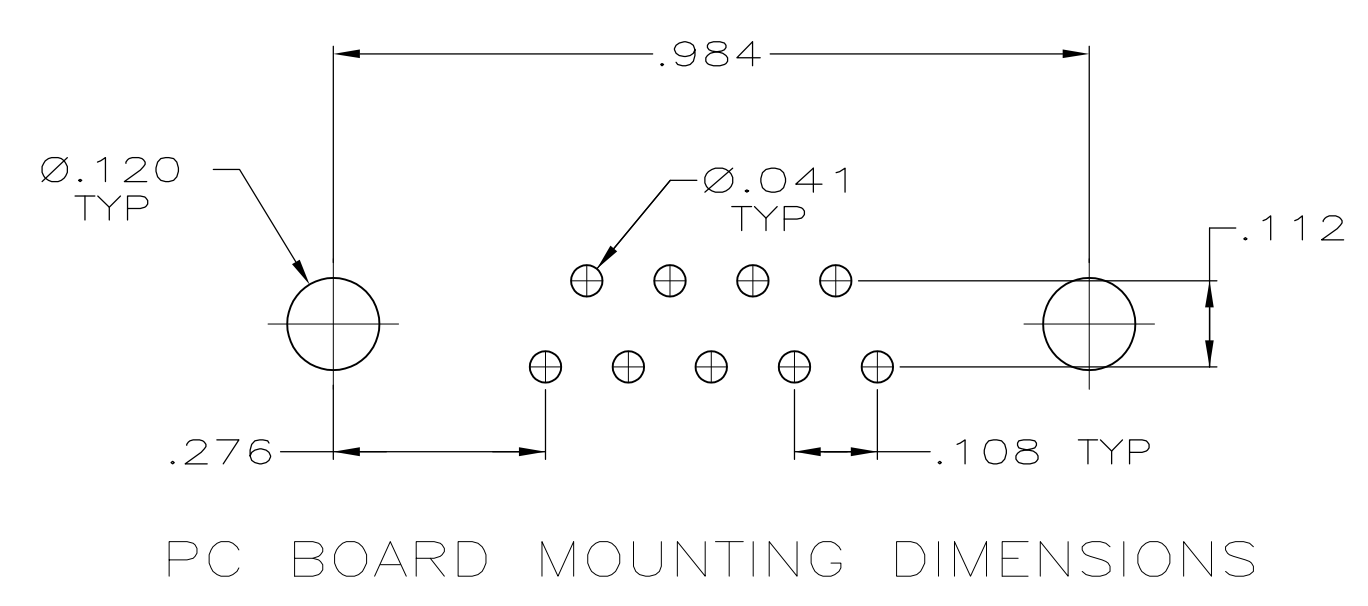
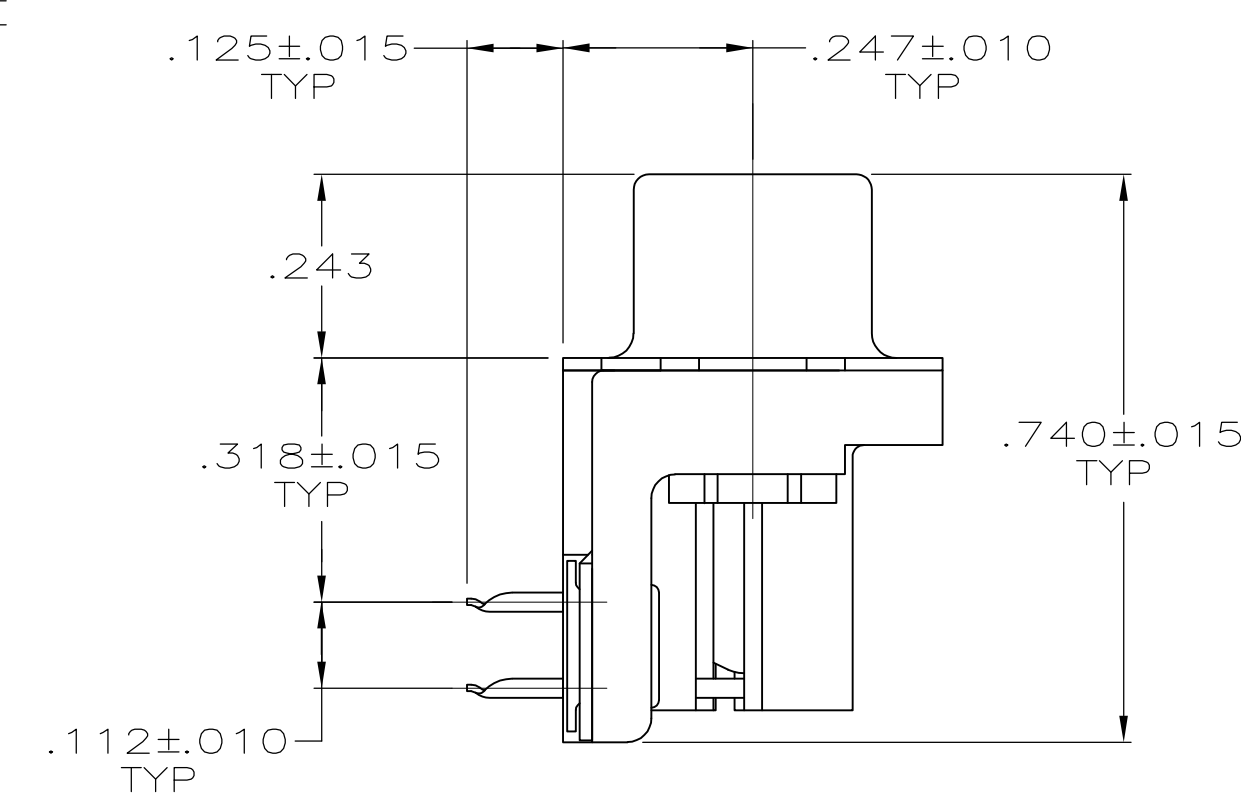
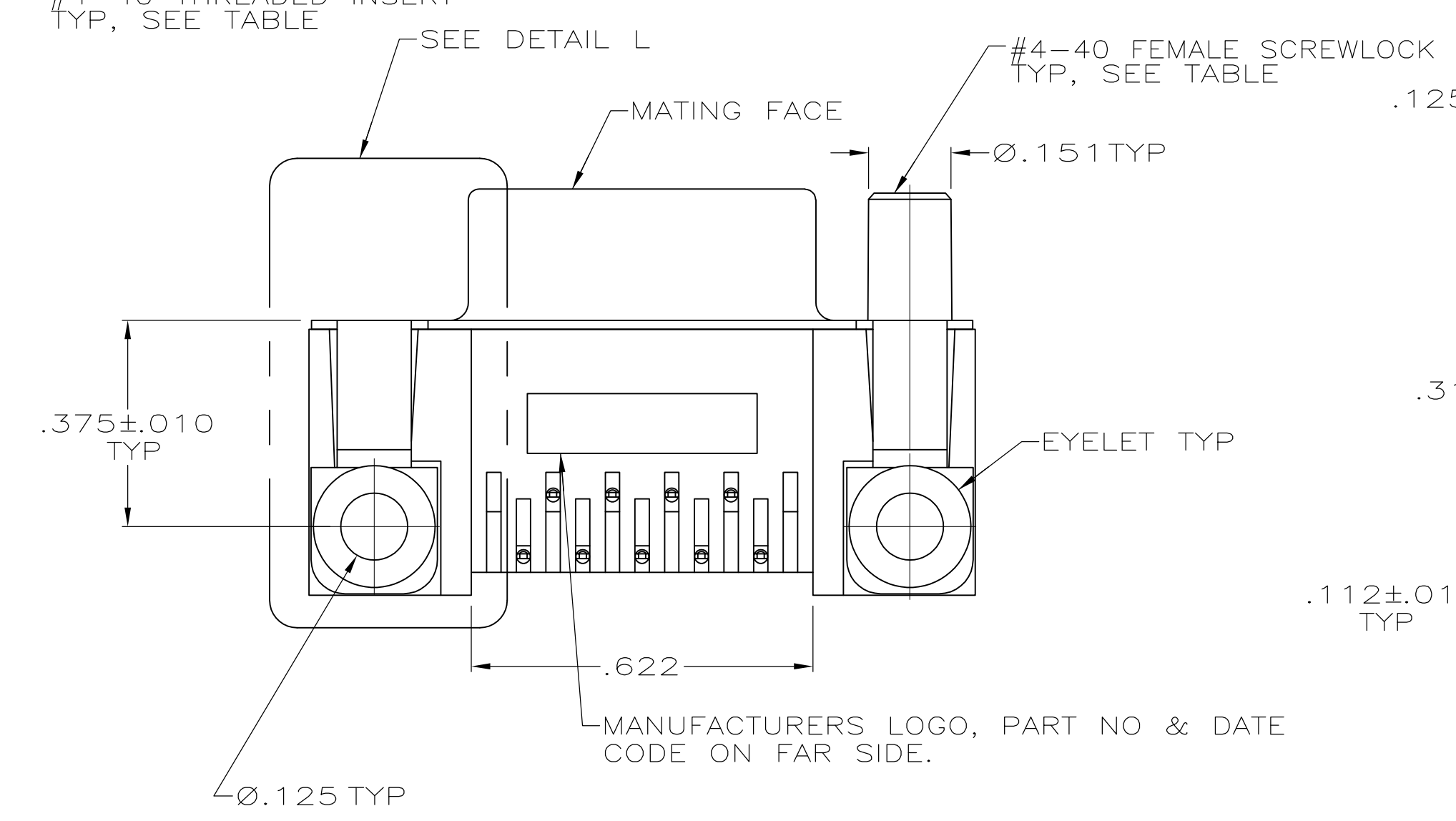
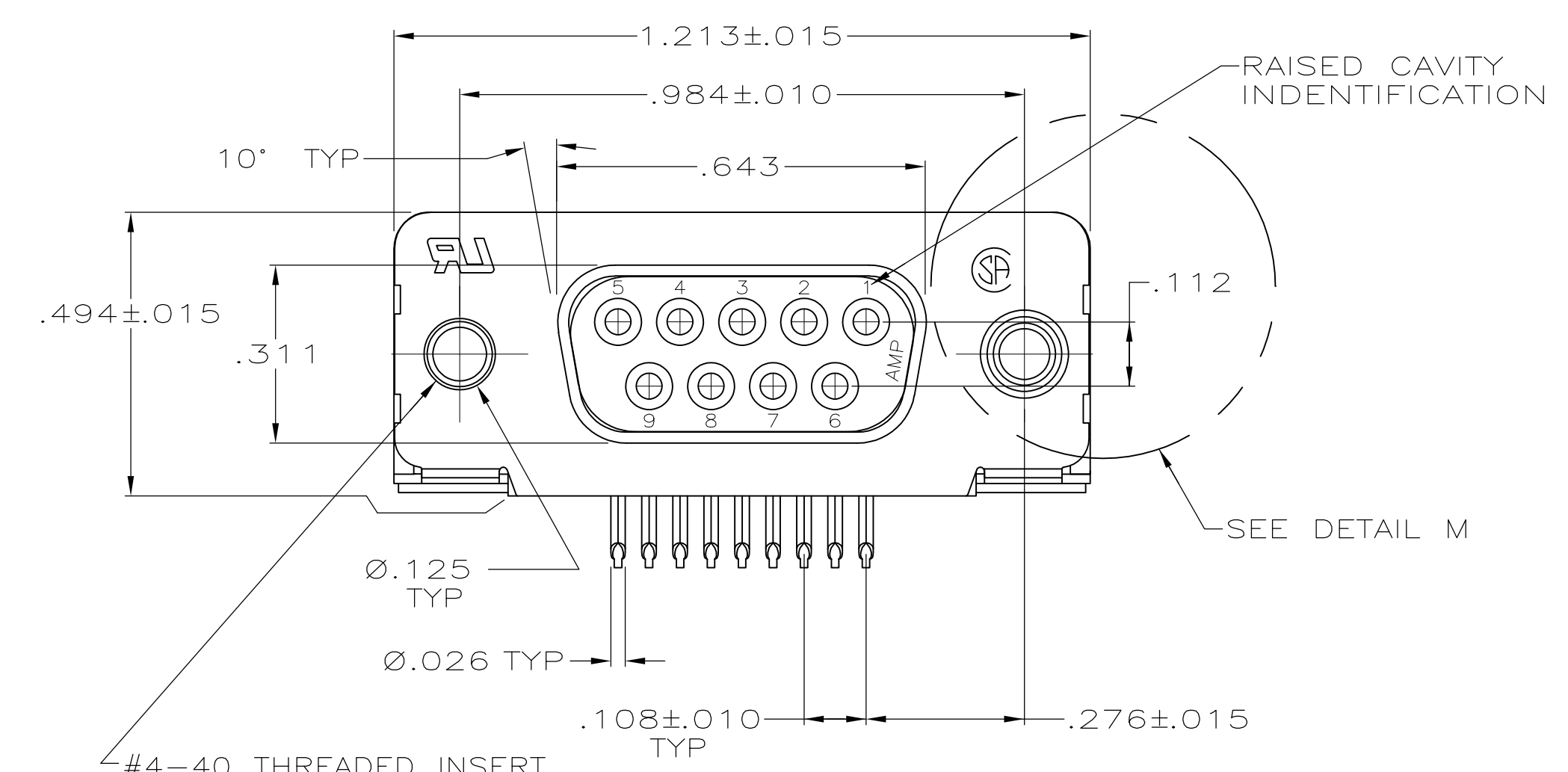
- [Number of Positions](#) = 9

Industry Standards:

- [RoHS/ELV Compliance](#) = RoHS compliant, ELV compliant
- [Lead Free Solder Processes](#) = Wave solder capable to 240°C, Wave solder capable to 260°C, Wave solder capable to 265°C
- [RoHS/ELV Compliance History](#) = Always was RoHS compliant

Other:

- [Brand](#) = AMP
- [Comment](#) = All receptacles are preloaded with size 20 DF posted socket contacts



- CONNECTOR MATES WITH ANY 9 POSN PLUG IN AMPLIMITE SERIES & COMPLIES WITH AMP SPEC 108-40005 WHERE APPLICABLE.
- MOLDED PARTS: FLAME RETARDANT 94V-0 RATED THERMOPLASTIC, COLOR: SEE TABLE.
SHELL: CARBON STEEL.
CONTACTS: PHOSPHOR BRONZE.
EYELETS: BRASS.
SCREWLOCKS: ZINC.
INSERTS: ZINC.
- SHELL: TIN PLATED.
CONTACTS: SEE TABLE.
EYELETS: TIN PLATED.
SCREWLOCKS: CLEAR CHROMATE.
INSERTS: CLEAR CHROMATE.
- GOLD FLASH FOR A DISTANCE OF .100 MIN FROM MATING END, TIN PLATED .000100-.000200 ON OPPOSITE END, ALL OVER .000050 NICKEL.
- .000030 GOLD FOR A DISTANCE OF .100 MIN FROM MATING END, TIN PLATED .000100-.000200 ON OPPOSITE END, ALL OVER .000050 NICKEL.

AQUA (TURQUOISE)	THREADED INSERTS	5	5745781-7
BLACK	FEMALE SCREWLOCKS	5	5745781-6
BLACK	THREADED INSERTS	5	5745781-4
BLACK	THREADED INSERTS	4	5745781-3
BLACK	NONE	5	5745781-2
COLOR	MOUNTING HARDWARE	CONTACT FINISH	PART NUMBER

THIS DRAWING IS A CONTROLLED DOCUMENT.

DIMENSIONS: INCHES	TOLERANCES UNLESS OTHERWISE SPECIFIED:	DIN A. FERNANDEZ-DOCKS 04-05-05	CHK S. BOLASH 04-05-05	APVD M. WALMSLEY 04-05-05	NAME
0 PLC ± -	1 PLC ± -	RCPT ASSY, SIZE 1, 9 POSN, RTANG, AMPLIMITE HD-20, WITH METAL SHELL, WITH OR WITHOUT SCREWLOCKS OR INSERTS			PRODUCT SPEC
2 PLC ± -	3 PLC ± .005	108-40025			APPLICATION SPEC
4 PLC ± -	ANGLES ± °	SIZE 114-40010	CAGE CODE	DRAWING NO	RESTRICTED TO
MATERIAL	FINISH	WEIGHT	A1 00779	5745781	
CUSTOMER DRAWING		SCALE 4:1	SHEET 1 OF 1	REV A1	

STE TE Connectivity