

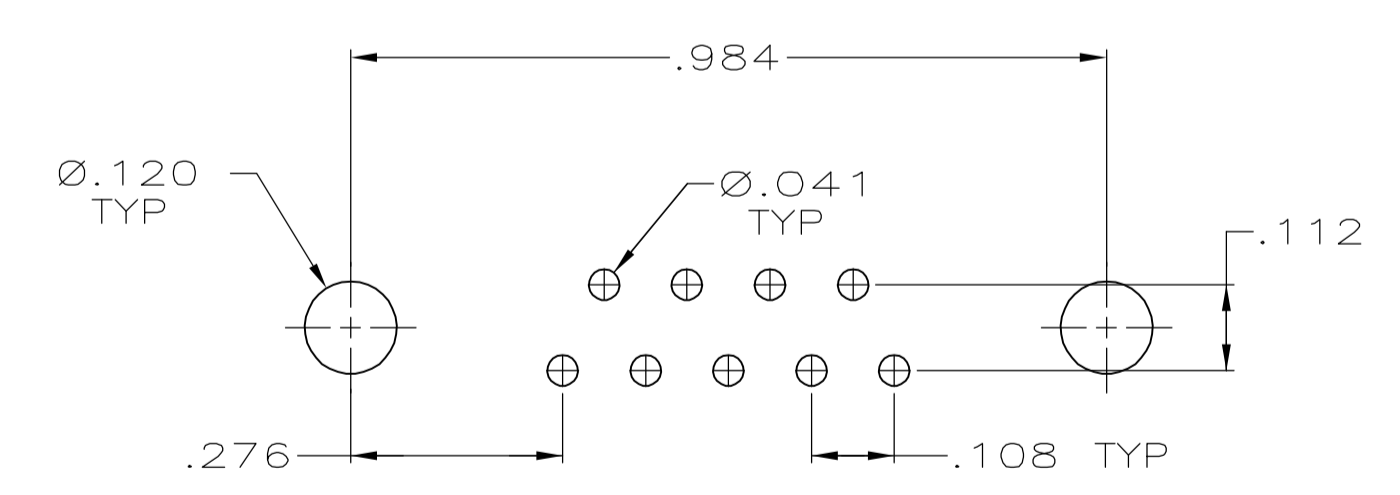
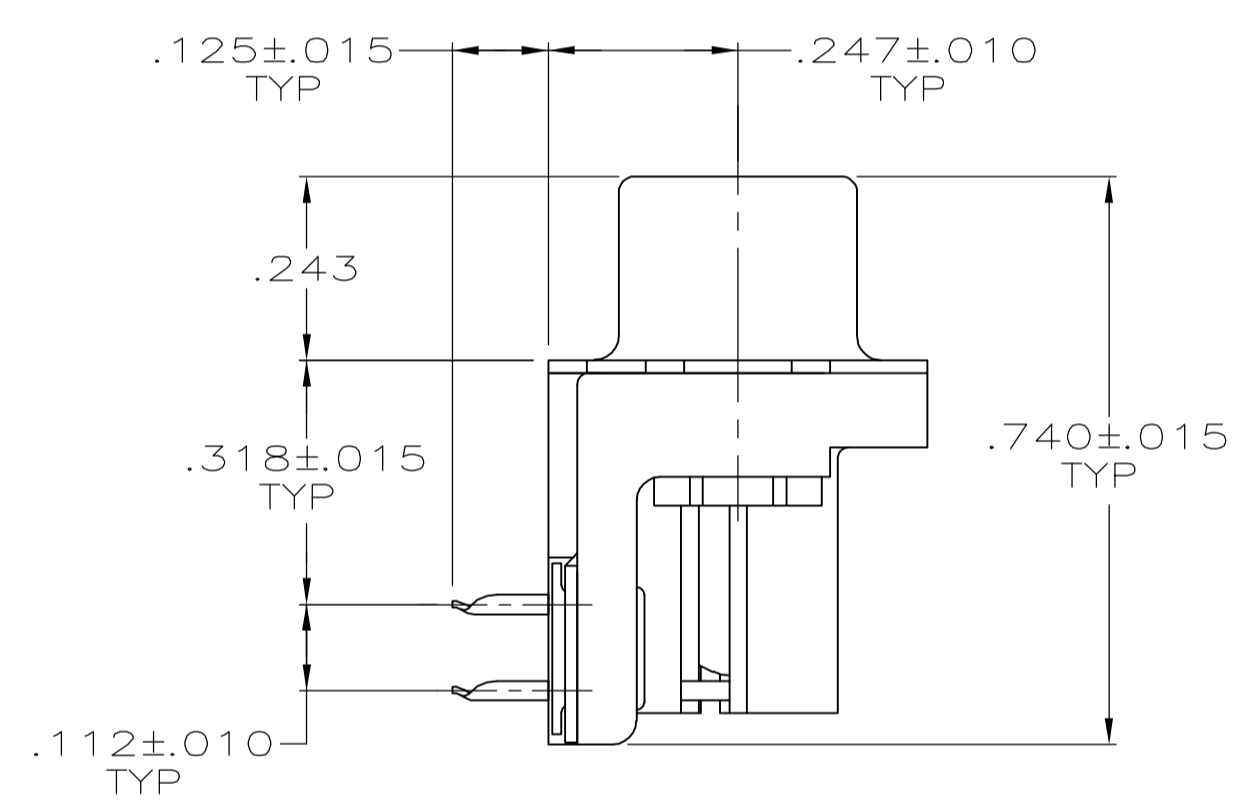
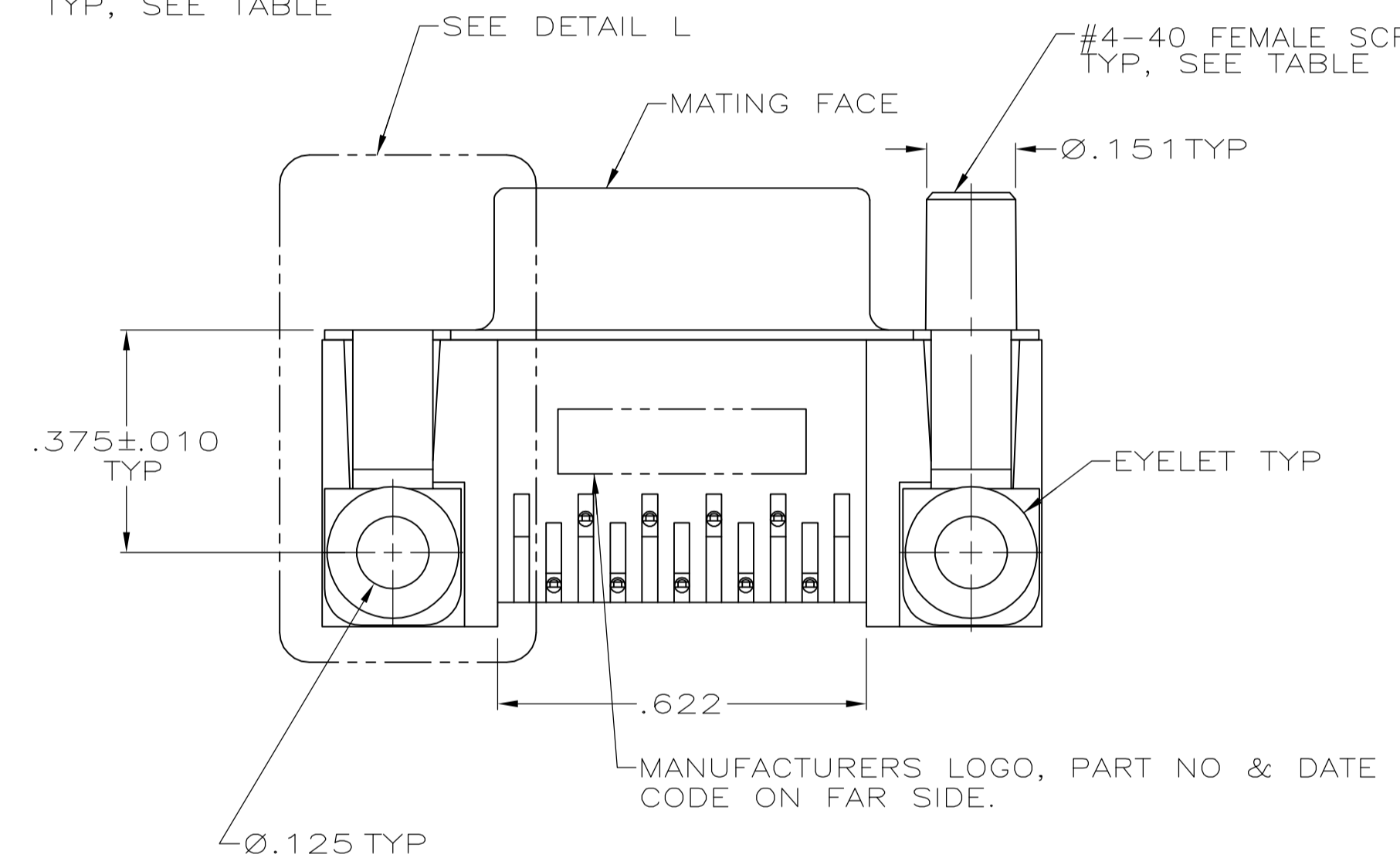
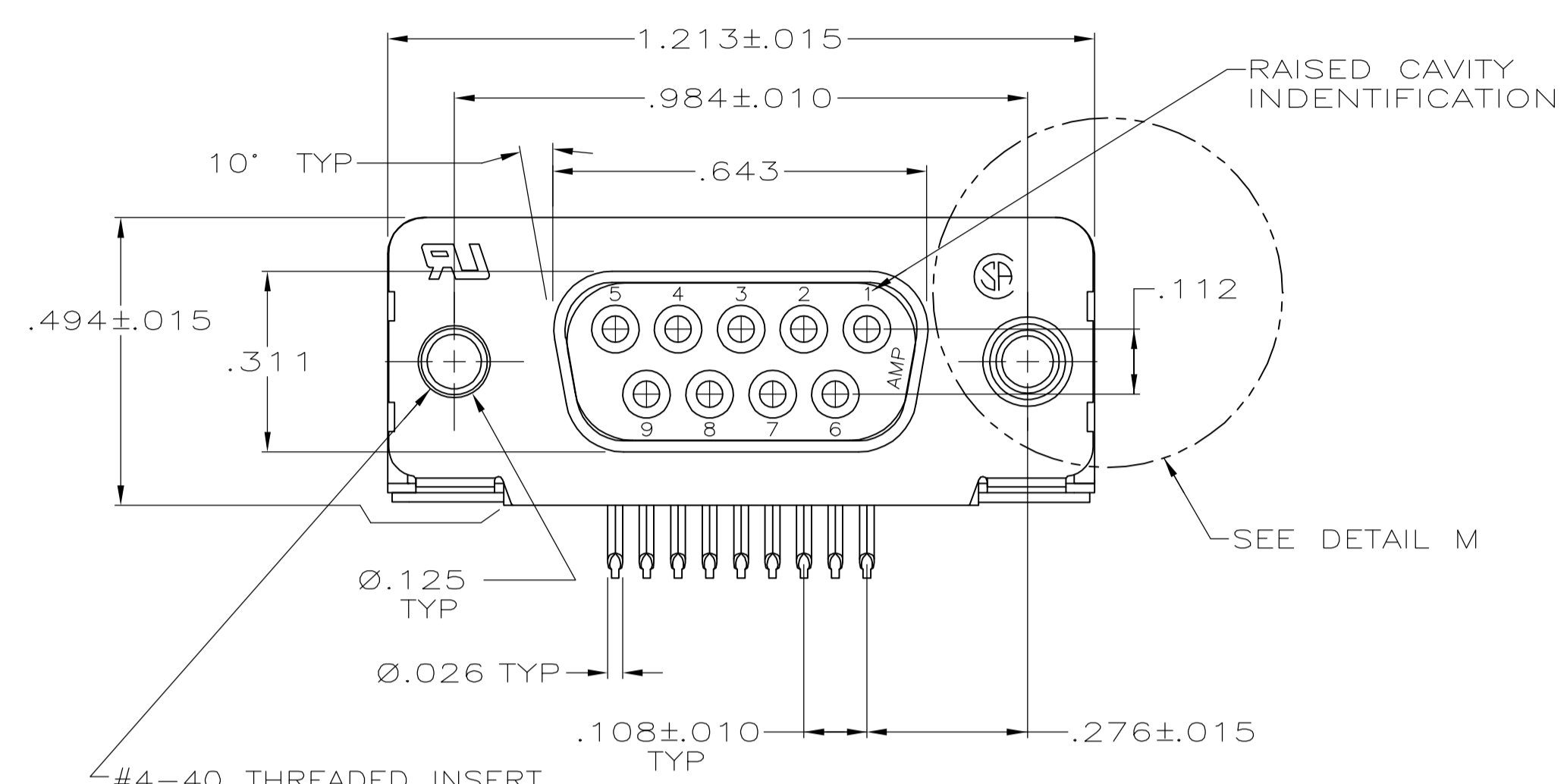
Distributed by:

JAMECO[®]
ELECTRONICS

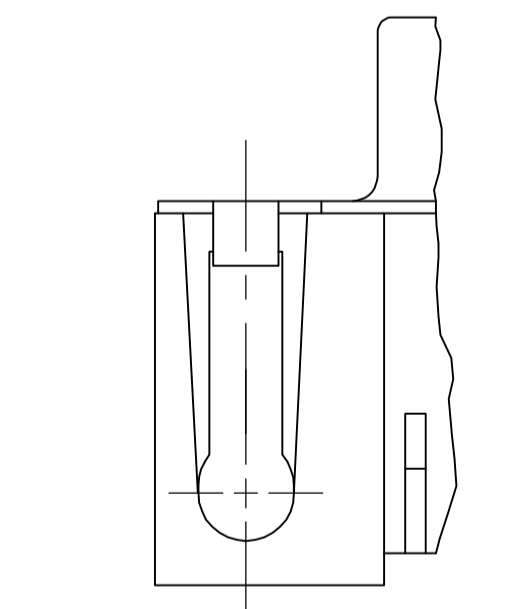
www.Jameco.com ♦ 1-800-831-4242

The content and copyrights of the attached
material are the property of its owner.

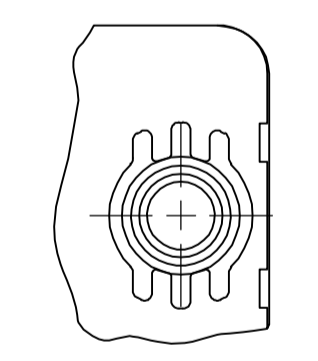
Jameco Part Number 960491



PC BOARD MOUNTING DIMENSIONS



DETAIL L
 TYP BOTH ENDS



DETAIL M
 FOR -6 ONLY

- CONNECTOR MATES WITH ANY 9 POSN PLUG IN AMPLIMITE SERIES & COMPLIES WITH AMP SPEC 108-40005 WHERE APPLICABLE.
- MOLDED PARTS: FLAME RETARDANT 94V-0 RATED THERMOPLASTIC, BLACK.
 SHELL: CARBON STEEL.
 CONTACTS: PHOSPHOR BRONZE.
 EYELETS: BRASS.
 SCREWLOCKS: ZINC.
 INSERTS: ZINC.
- SHELL: TIN PLATED.
 CONTACTS: SEE TABLE.
 EYELETS: TIN PLATED.
 SCREWLOCKS: CLEAR CHROMATE.
 INSERTS: CLEAR CHROMATE.
- GOLD FLASH FOR A DISTANCE OF .100 MIN FROM MATING END, TIN PLATED .000100-.000200 ON OPPOSITE END, ALL OVER .000050 NICKEL.
- .000030 GOLD FOR A DISTANCE OF .100 MIN FROM MATING END, TIN PLATED .000100-.000200 ON OPPOSITE END, ALL OVER .000050 NICKEL.

FEMALE SCREWLOCKS	5	5745781-6
THREADED INSERTS	5	5745781-4
THREADED INSERTS	4	5745781-3
NONE	5	5745781-2
MOUNTING HARDWARE	CONTACT FINISH	PART NUMBER

**COPYRIGHT 2005
 TYCO ELECTRONICS CORP
 ALL RIGHTS RESERVED**

THIS DRAWING IS A CONTROLLED DOCUMENT.		DIN A FERNANDEZ-DOCKS 04-05-05		Tyco Electronics Corporation	
DIMENSIONS: INCHES		CHK S. BOLASH 04-05-05		Harrisburg, PA 17105-3608	
TOLERANCES UNLESS OTHERWISE SPECIFIED:		APVD M. WALMSLEY 04-05-05		NAME	
0 PLC ± -	1 PLC ± -	RCPT ASSY, SIZE 1, 9 POSN, RTANG, AMPLIMITE HD-20, WITH METAL SHELL, WITH OR WITHOUT SCREWLOCKS OR INSERTS		RESTRICTED TO	
2 PLC ± -	3 PLC ± .005	PRODUCT SPEC 108-40025		SIZE CAGE CODE DRAWING NO	
4 PLC ± -	ANGLES ± ± °	APPLICATION SPEC 114-40010		WEIGHT	
MATERIAL	FINISH	A1 00779 C=5745781		SCALE 4:1 SHEET 1 OF 1 REV 0	
CUSTOMER DRAWING		SCALE 4:1		SHEET 1 OF 1 REV 0	