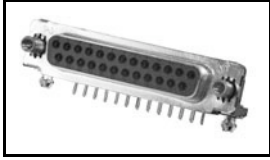


5745782-6 Product Details

[Share](#) [Print](#) [Email](#)




5745782-6

TE Internal Number: 5745782-6

 Active

[View 3D PDF](#)

Standard Board Mount Connectors

 Always EU RoHS/ELV Compliant
(Statement of Compliance)

Product Highlights:

- 15 Positions
- Connector Style = Receptacle
- PCB Mounting Orientation = Right Angle
- Product Series = HD 20
- With Mating Connector Lock

[View all Features](#)

Quick Links

- ▶ [Pricing & Availability](#)
- ▶ [Search for Tooling](#)
- ▶ [View Mating Products \(10\)](#)
- ▶ [Product Feature Selector](#)
- ▶ [Contact Us About This Product](#)

[Add to My Part List](#)

[Request Sample](#)

[Find Similar Products](#)

[Buy Product](#)

Documentation & Additional Information

Product Drawings:

- [RCPT ASSY, SIZE 2, 15 POSN, RTANG, AMPLIMITE HD-20, ... \(PDF, English\)](#)

Catalog Pages/Data Sheets:

- [AMPLIMITE Subminiature D Connectors - Right-Angle Po... \(PDF, English\)](#)

Product Specifications:

- None Available

Application Specifications:

- None Available

Instruction Sheets:

- None Available

CAD Files: (CAD Format & Compression Information)

- [2D Drawing \(DXF, Version A\)](#)
- [3D Model \(IGES, Version A\)](#)
- [3D Model \(STEP, Version A\)](#)

[List all Documents](#)

Additional Information:

- [Product Line Information](#)

Additional Product Images:

- [Product Photo](#)

Related Products:

- [Tooling](#)
- [Mating Products \(10\)](#)

Product Features (Please use the Product Drawing for all design activity)

Product Type Features:

- [PCB Mounting Orientation](#) = Right Angle
- [Product Series](#) = HD 20
- [Mating Connector Lock](#) = With
- [Mating Connector Lock Type](#) = Female Screwlocks, Fixed
- [PCB Mount Retention](#) = With
- [PCB Mount Retention Type](#) = Mounting Hole(s)
- [Shell Type](#) = Front Metal Shell
- [Shell Size](#) = 2
- [Footprint \(mm \[in\]\)](#) = 8.08 [.318]
- [Grounding Indents](#) = Without
- [Grounding Straps](#) = With

- [PCB Mount Style](#) = Through Hole
- [Color Code](#) = None
- [Sealed](#) = No

Body Features:

- [Shell Material](#) = Brass
- [Shell Plating](#) = Tin
- [Female Screwlock Material](#) = Zinc
- [Female Screwlock Plating](#) = Clear Chromate
- [Eyelet Plating](#) = Tin

Contact Features:

- [Contact Plating, Mating Area, Material](#) = Gold (30)
- [Solder Tail Contact Plating](#) = Tin
- [Contact Shape](#) = Round
- [Contact Base Material](#) = Phosphor Bronze

Housing Features:

- [Connector Style](#) = Receptacle
- [UL Flammability Rating](#) = UL 94V-0
- [Housing Material](#) = Thermoplastic - GF

- Profile = Standard
- Post Size (mm [in]) = 0.66 [.026]
- Mounting Hole Diameter (mm [in]) = 3.18 [.125]
- Eyelet Material = Brass

Mechanical Attachment:

- Panel Mount Retention = Without

Termination Features:

- Grounding Clips = Without
- Termination Post Length (mm [in]) = 3.18 [0.125]

Dimensions:

- PCB Thickness, Recommended (in [mm]) = 0.093 [2.36]

Configuration Features:

- Number of Positions = 15

Industry Standards:

- RoHS/ELV Compliance = RoHS compliant, ELV compliant
- Lead Free Solder Processes = Wave solder capable to 240°C, Wave solder capable to 260°C, Wave solder capable to 265°C
- RoHS/ELV Compliance History = Always was RoHS compliant

Other:

- Brand = AMP
- Comment = All receptacles are preloaded with size 20 DF posted socket contacts

Corporate Information

- [About TE](#)
- [Investors](#)
- [News Room](#)
- [Supplier Portal](#)
- [Careers](#)
- [Terms & Conditions](#)
- [Privacy Policy](#)

Quick Links

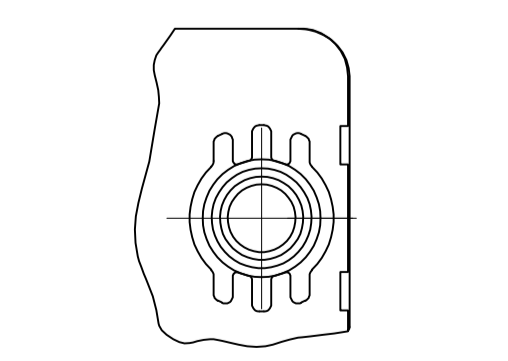
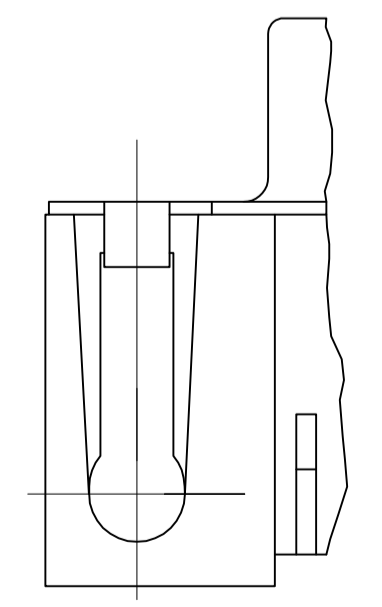
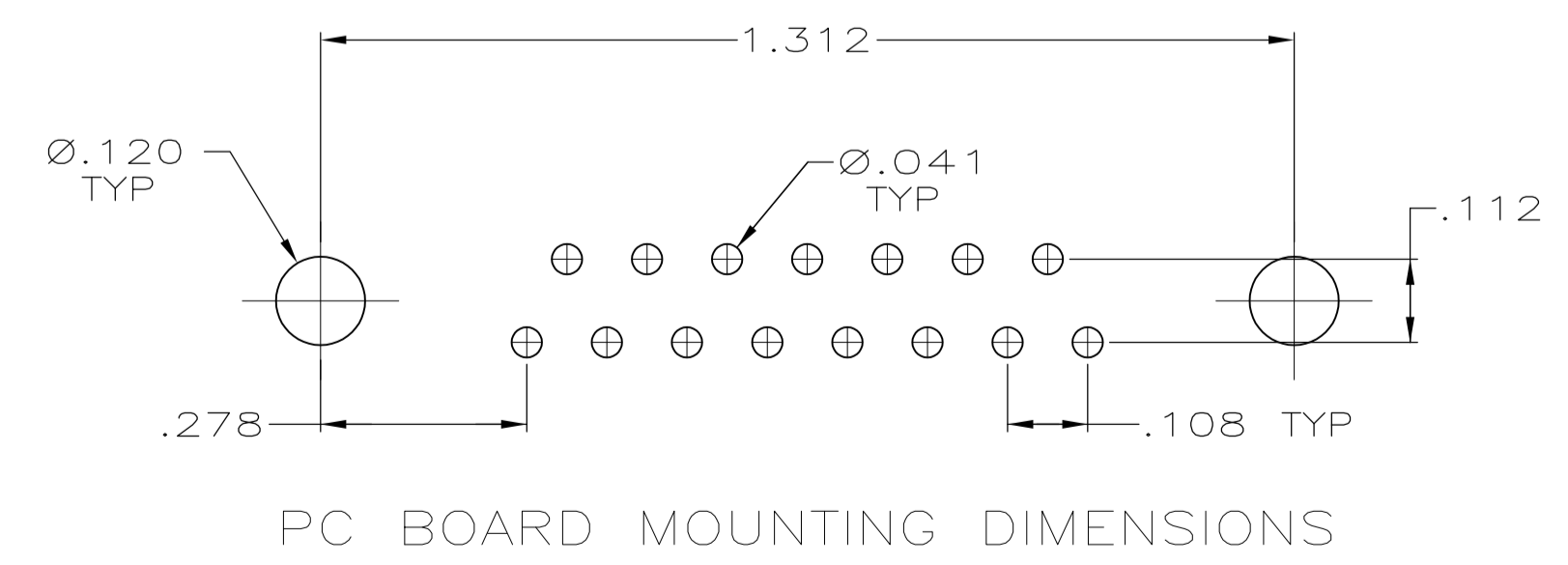
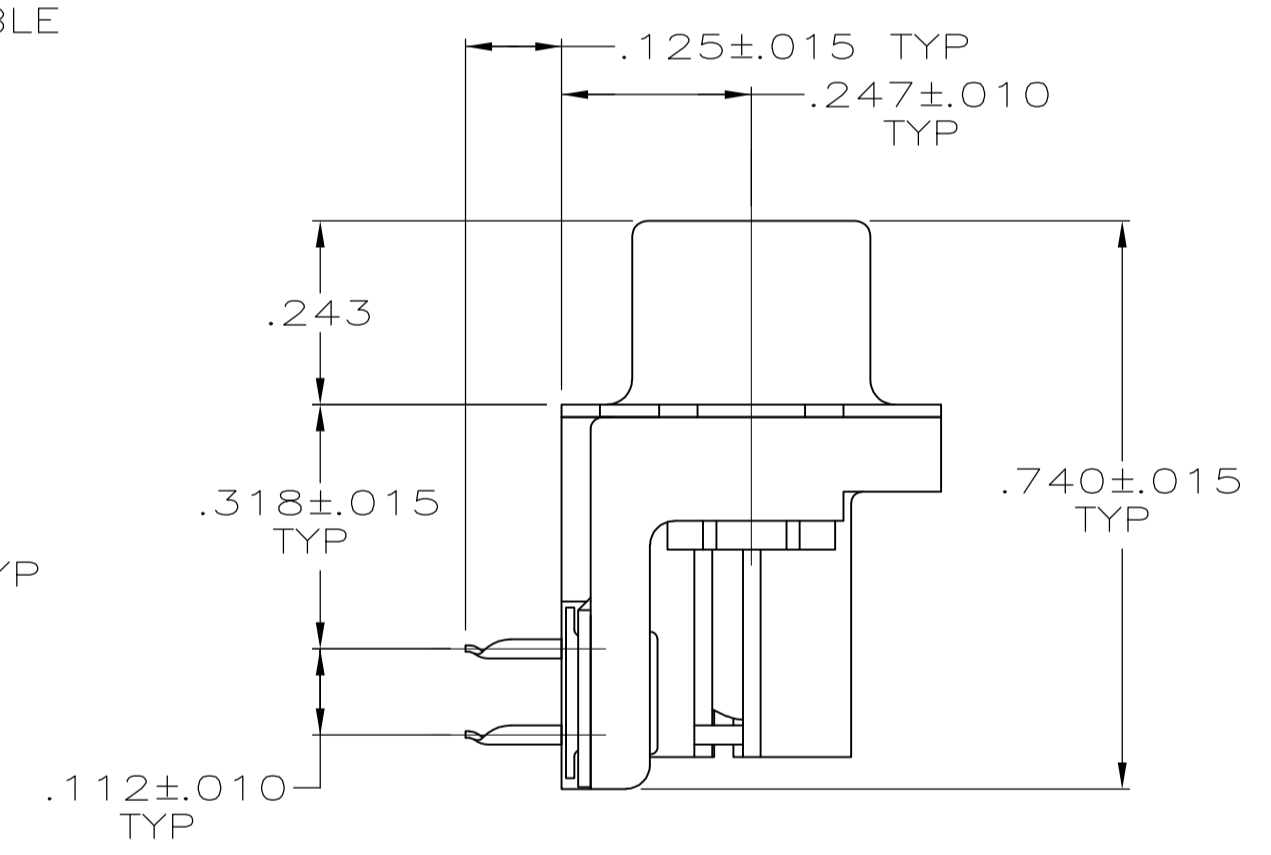
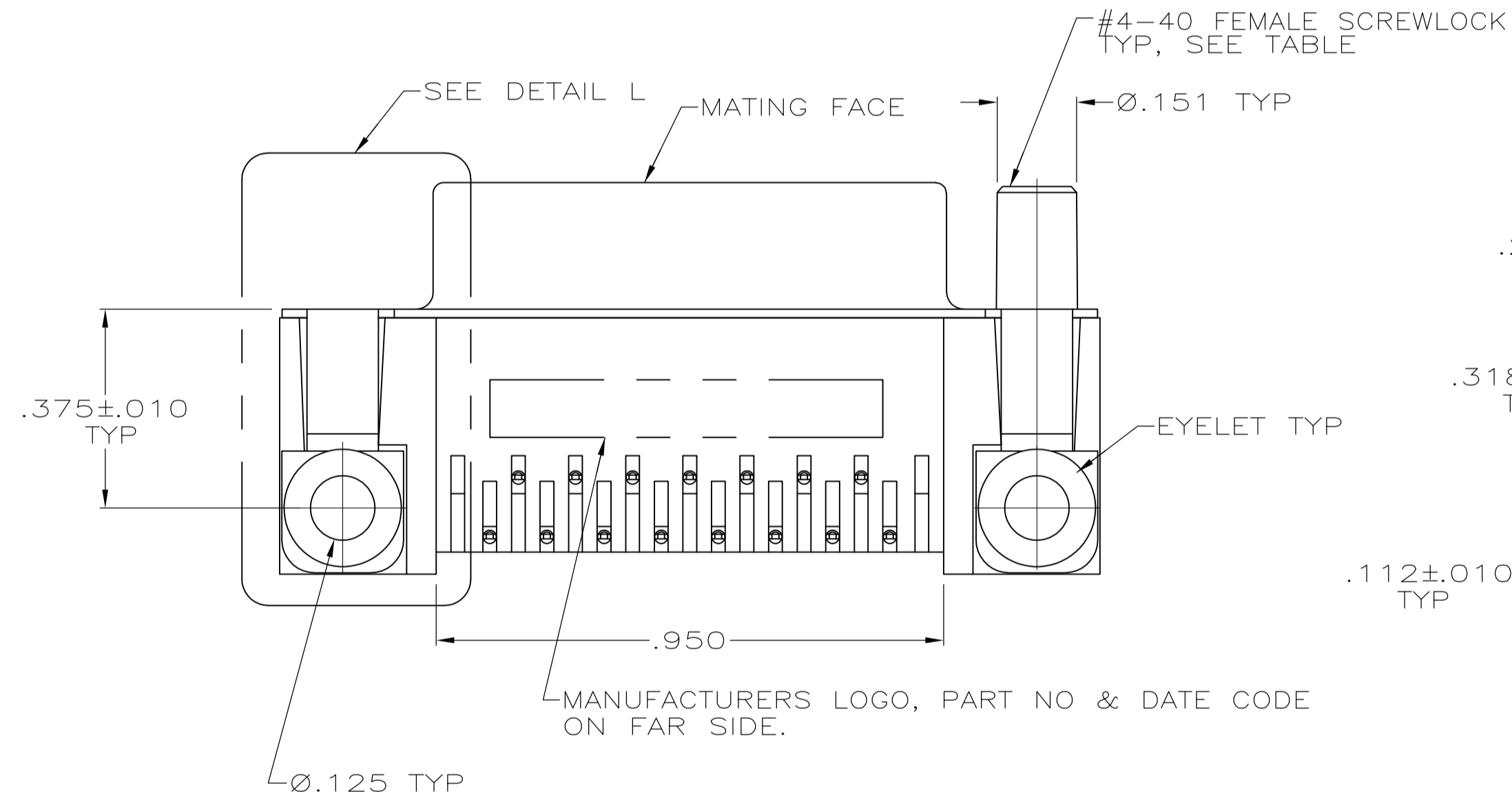
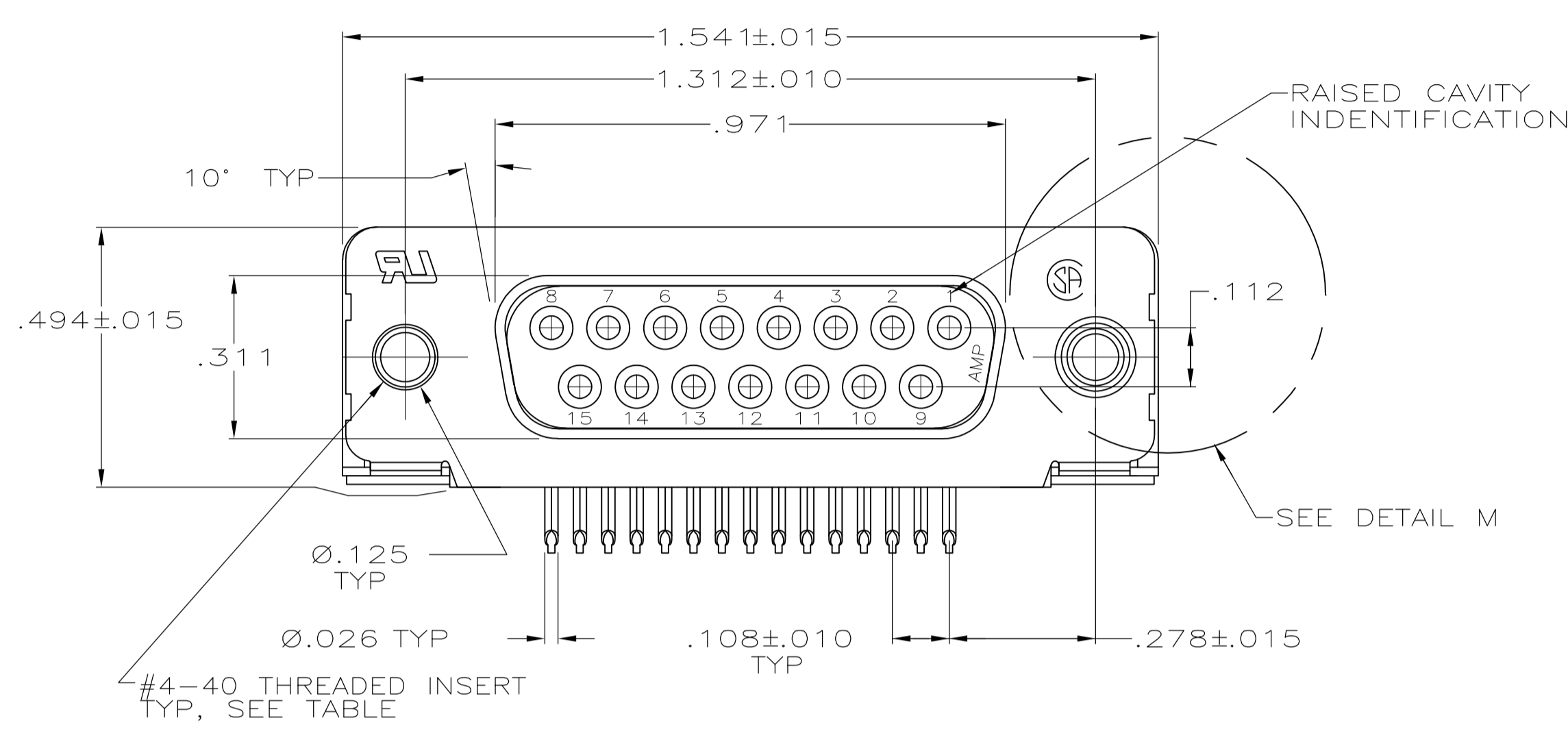
- [Distributor Inventory](#)
- [Product Cross Reference](#)
- [Documents & Drawings](#)
- [Product Compliance Support Center](#)
- [Site Map](#)

Customer Support

- [Email or Chat With Us](#)
- [Find a Phone Number](#)
- [Knowledge Base](#)
- [Manage Your Account](#)

Keep Me Informed





- CONNECTOR MATES WITH ANY 15 POSN PLUG IN AMPLIMITE SERIES & COMPLIES WITH AMP SPEC 108-40005 WHERE APPLICABLE.
- MOLDED PARTS: FLAME RETARDANT 94V-0 RATED THERMOPLASTIC, BLACK.
SHELL: CARBON STEEL.
CONTACTS: PHOSPHOR BRONZE.
EYELETS: BRASS.
SCREWLOCKS: ZINC.
INSERTS: ZINC.
- SHELL: TIN PLATED.
CONTACTS: .000030 GOLD FOR A DISTANCE OF .100 MIN FROM MATING END, TIN PLATED .000100-.000200 ON OPPOSITE END, ALL OVER .000050 NICKEL.
EYELETS: TIN PLATED.
SCREWLOCKS: CLEAR CHROMATE.
INSERTS: CLEAR CHROMATE.

FEMALE SCREWLOCKS	5745782-6
THREADED INSERTS	5745782-4
NONE	5745782-2
MOUNTING HARDWARE	PART NUMBER

**COPYRIGHT 2005
TE CONNECTIVITY CORP
ALL RIGHTS RESERVED**

THIS DRAWING IS A CONTROLLED DOCUMENT.		DIN A FERNANDEZ-DOCKS 04-06-05		TE Connectivity	
DIMENSIONS: INCHES		CHK S BOLASH 04-06-05		RCPT ASSY, SIZE 2, 15 POSN, RTANG, AMPLIMITE HD-20, WITH METAL SHELL, WITH OR WITHOUT SCREWLOCKS OR INSERTS	
TOLERANCES UNLESS OTHERWISE SPECIFIED:		APVD M WALMSLEY 04-06-05		NAME	
0 PLC ± -		PRODUCT SPEC		108-40025	
1 PLC ± -		APPLICATION SPEC		114-40010	
2 PLC ± -		SIZE		A1	
3 PLC ± .005		CAGE CODE		00779	
4 PLC ± .005		DRAWING NO		5745782	
ANGLES ± °		WEIGHT		-	
MATERIAL		FINISH		CUSTOMER DRAWING	
		SCALE		4:1	
		SHEET		1 OF 1	
		REV		R	