



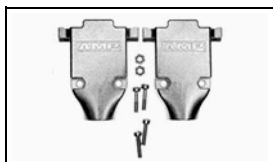
Have a Question?
 Chat with a Product
 Information Specialist

What can we help you find?

[Products](#) |
 [Industries](#) |
 [Resources](#) |
 [About TE](#) |
 [My Account](#) |
 [Innovation](#) |
 [Support Center](#)

5745833-5 Product Details

[Share](#) |
 [Print](#) |
 [Email](#)



5745833-5

TE Internal Number: 5745833-5

Active

[View 3D PDF](#)

Cable Clamps

Always EU RoHS/ELV Compliant (Statement of Compliance)

Product Highlights:

- Backshell/Cable Clamp
- Cable Clamp Type = Two-Piece RFI/EMI Shield
- 180° Cable Exit Angle
- Cable Insulation Diameter = 10.92 mm
- 25 Positions

[View all Features](#)

Quick Links

- ▶ [Pricing & Availability](#)
- ▶ [Search for Tooling](#)
- ▶ [Product Feature Selector](#)
- ▶ [Contact Us About This Product](#)

[Add to My Part List](#) |
 [Request Sample](#) |
 [Find Similar Products](#) |
 [Buy Product](#)

Documentation & Additional Information	
<p>Product Drawings:</p> <ul style="list-style-type: none"> • CABLE CLAMP KIT, SIZE 3, 25 POSN, 180 DEG, (PDF, English) <p>Catalog Pages/Data Sheets:</p> <ul style="list-style-type: none"> • AMPLIMITE Subminiature D Connectors - Cable Connectors (PDF, English) <p>Product Specifications:</p> <ul style="list-style-type: none"> • AMPLIMITE Shielded Cable Clamp Assemblies and Access... (PDF, English) <p>Application Specifications:</p> <ul style="list-style-type: none"> • None Available <p>Instruction Sheets:</p> <ul style="list-style-type: none"> • AMPLIMITE Connector HD-20 Shielded Cable Clamp Kits (PDF, English) <p>CAD Files: (CAD Format & Compression Information)</p> <ul style="list-style-type: none"> • 2D Drawing (DXF, Version A) • 3D Model (IGES, Version A) • 3D Model (STEP, Version A) 	<p>Additional Information:</p> <ul style="list-style-type: none"> • Product Line Information <p>Related Products:</p> <ul style="list-style-type: none"> • Tooling

[List all Documents](#)

Product Features (Please use the Product Drawing for all design activity)	
<p>Product Type Features:</p> <ul style="list-style-type: none"> • Product Type = Backshell/Cable Clamp • Cable Clamp Type = Two-Piece RFI/EMI Shield • Shell Size = 3 • Grommets = Without • Thread Size = 4-40 <p>Mechanical Attachment:</p> <ul style="list-style-type: none"> • Long Turnable Jackscrew Part No. = 747784-3 <p>Electrical Characteristics:</p> <ul style="list-style-type: none"> • Shielded = Yes <p>Dimensions:</p> <ul style="list-style-type: none"> • Cable Insulation Diameter (mm [in]) = 10.92 [0.430] <p>Body Features:</p> <ul style="list-style-type: none"> • Cable Exit Angle = 180° • Cable Clamp Material = Metal Plated Thermoplastic • Shield Plating = Bright Nickel over Copper 	<p>Configuration Features:</p> <ul style="list-style-type: none"> • Number of Positions = 25 <p>Industry Standards:</p> <ul style="list-style-type: none"> • RoHS/ELV Compliance = RoHS compliant, ELV compliant • Lead Free Solder Processes = Not relevant for lead free process • RoHS/ELV Compliance History = Always was RoHS compliant <p>Packaging Features:</p> <ul style="list-style-type: none"> • Packaging Method = Individual Kit <p>Other:</p> <ul style="list-style-type: none"> • Brand = AMP • Comment = Jackscrews must be purchased separately.; All parts are packaged unassembled.; Shielded cable clamps will not accept connector housings with clinch nuts.

Corporate Information

- [About TE](#)
- [Investors](#)
- [News Room](#)
- [Supplier Portal](#)

Quick Links

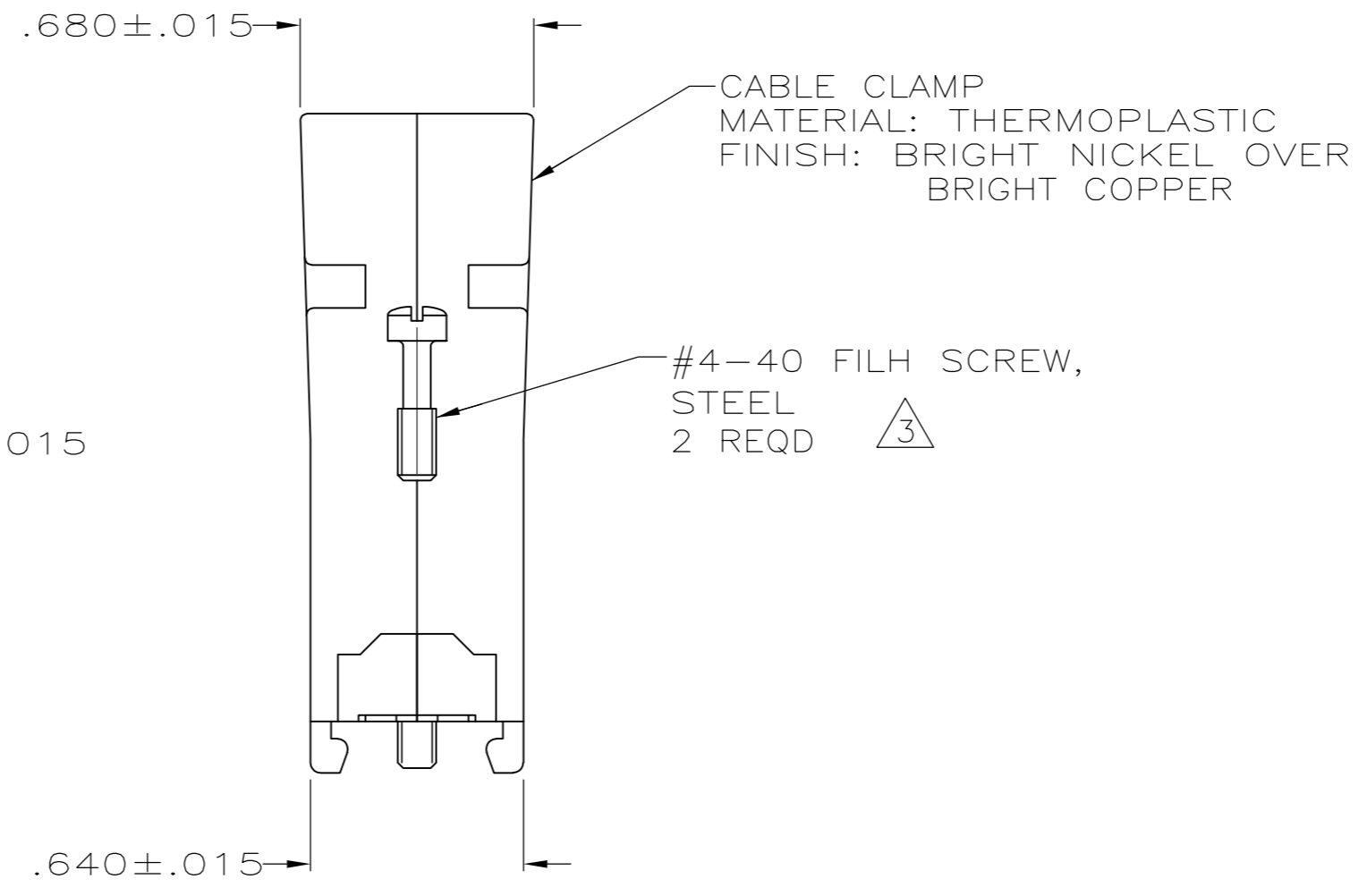
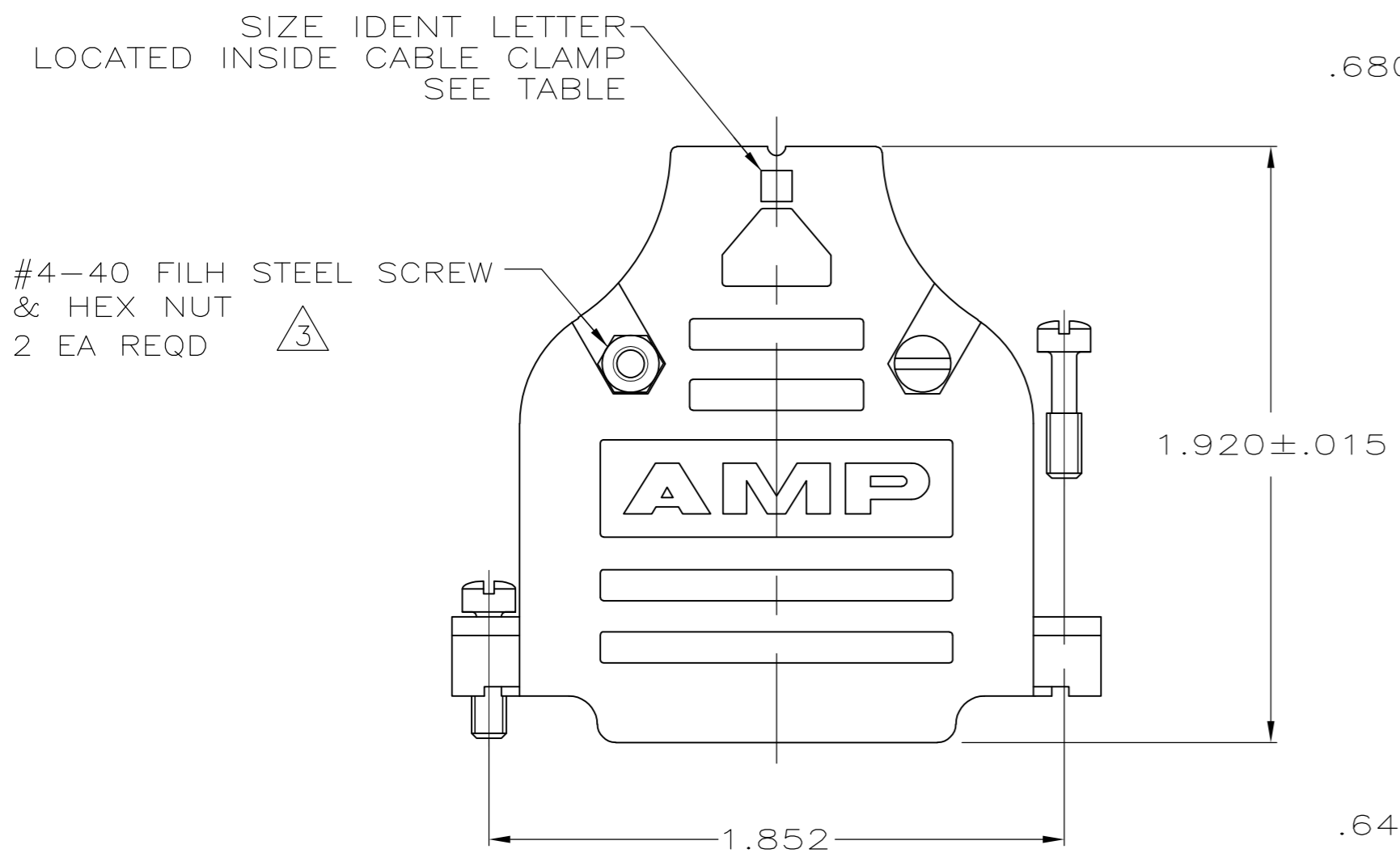
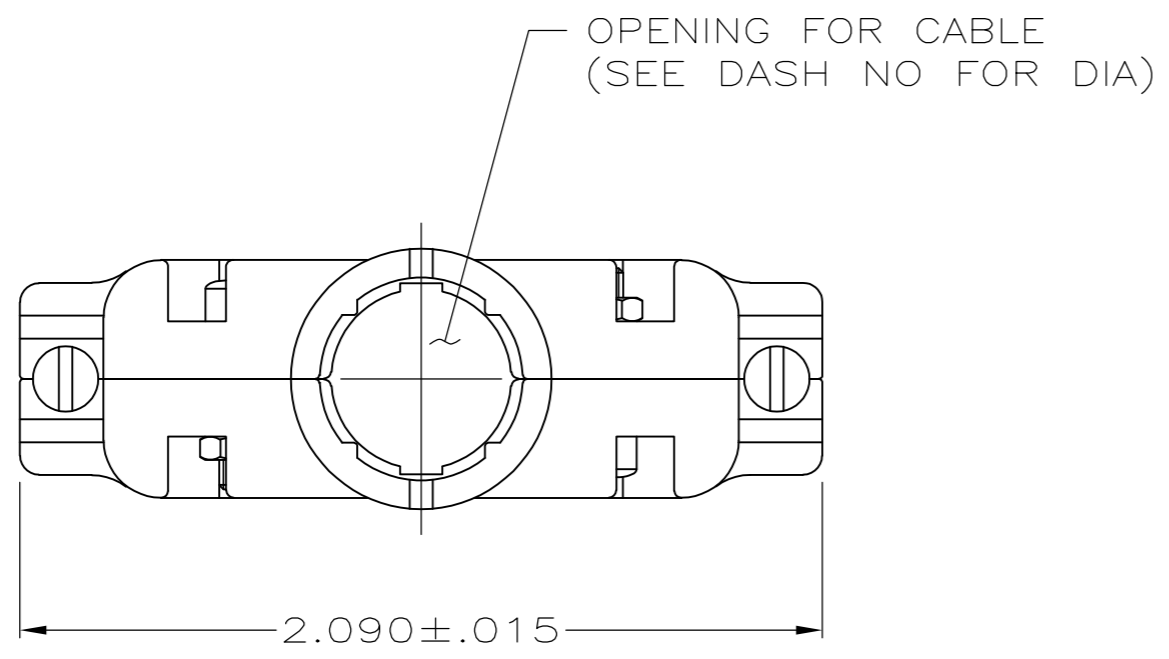
- [Distributor Inventory](#)
- [Product Cross Reference](#)
- [Documents & Drawings](#)
- [Product Compliance Support Center](#)

Customer Support

- [Email or Chat With Us](#)
- [Find a Phone Number](#)
- [Knowledge Base](#)
- [Manage Your Account](#)

THIS DRAWING IS UNPUBLISHED. RELEASED FOR PUBLICATION
 © COPYRIGHT - By - ALL RIGHTS RESERVED.

LOC	DIST	REVISIONS			
P	LTR	DESCRIPTION	DATE	DWN	APVD
GP	00	A1	REVISED PER ECO-11-004835	11MAR11	RK HMR



1. ALL PARTS PACKAGED UNASSEMBLED.
 2. THIS KIT CONSISTS OF 2 STRAIN RELIEF HALVES, 2 #4-40 SCREWS, 2 #4-40 NUTS & 2 #4-40 MOUNTING SCREWS.
- △ ZINC PLATED .000200-.000400 THICK, CLEAR CHROMATE COATING.

	D	.280	5745833-9
	G	.350	5745833-7
	K	.430	5745833-5
OBSOLETE	M	.480	5745833-3
	P	.530	5745833-1
	SIZE IDENT LETTER	CABLE DIA	PART NO.

**COPYRIGHT 2005
 TE CONNECTIVITY CORP
 ALL RIGHTS RESERVED**

THIS DRAWING IS A CONTROLLED DOCUMENT.		DWN	D. HENNY	8-13-05		TE Connectivity		
DIMENSIONS: INCHES		CHK	C. ROHDE	8-13-05		CABLE CLAMP KIT, SIZE 3, 25 POSN, 180 DEG, AMPLIMITE SERIES, PLATED PLASTIC		
TOLERANCES UNLESS OTHERWISE SPECIFIED:		APVD	M. WALMSLEY	8-13-05		SIZE	CAGE CODE	DRAWING NO
0 PLC ± - 1 PLC ± - 2 PLC ± - 3 PLC ± .005 4 PLC ± - ANGLES ± -		PRODUCT SPEC	-			A2	00779	C=5745833
MATERIAL SEE CALLOUTS		FINISH	SEE CALLOUTS		WEIGHT	-		
		CUSTOMER DRAWING		SCALE	1:1	SHEET	1 OF 1	
				REV	A1			