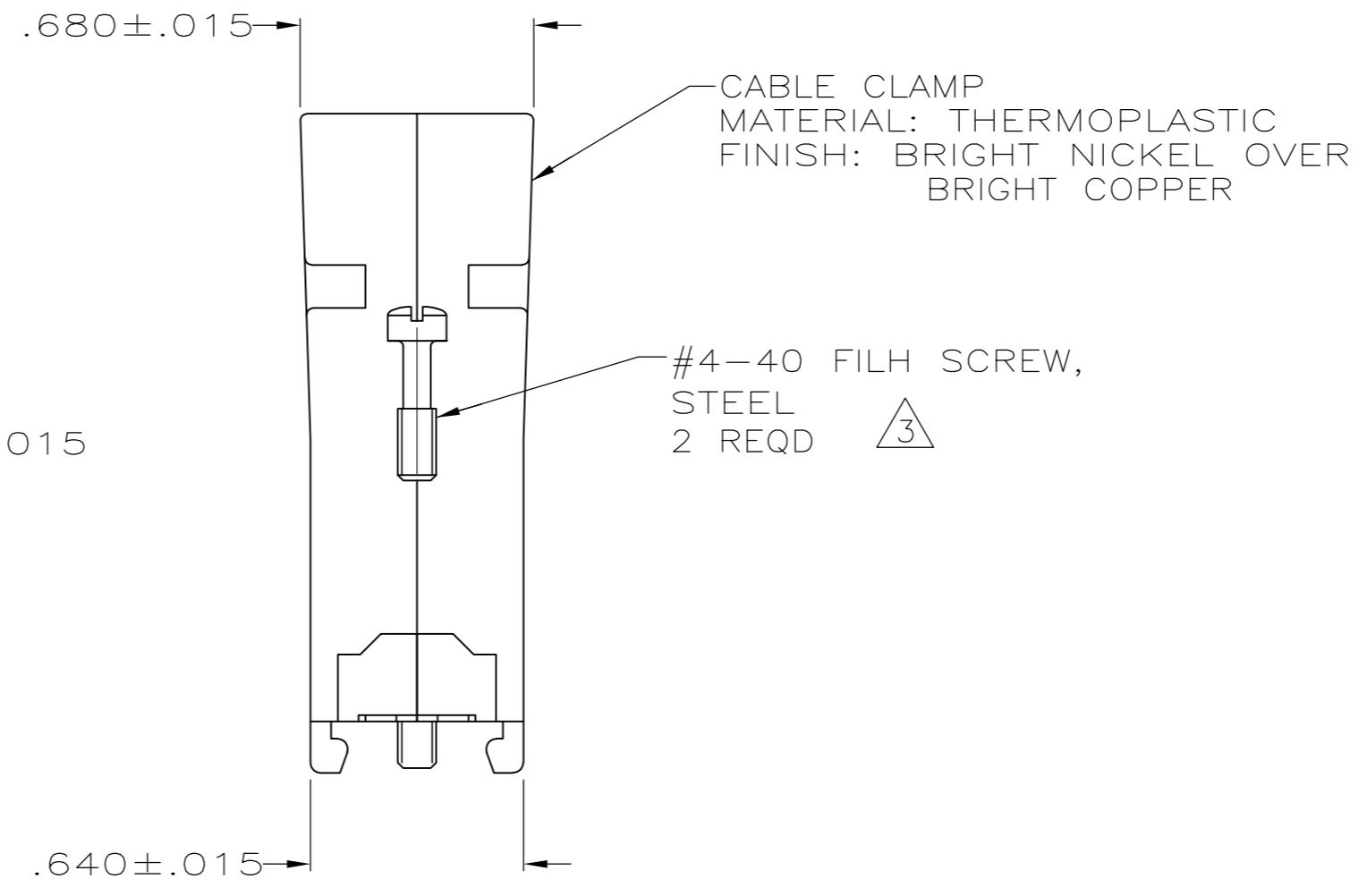
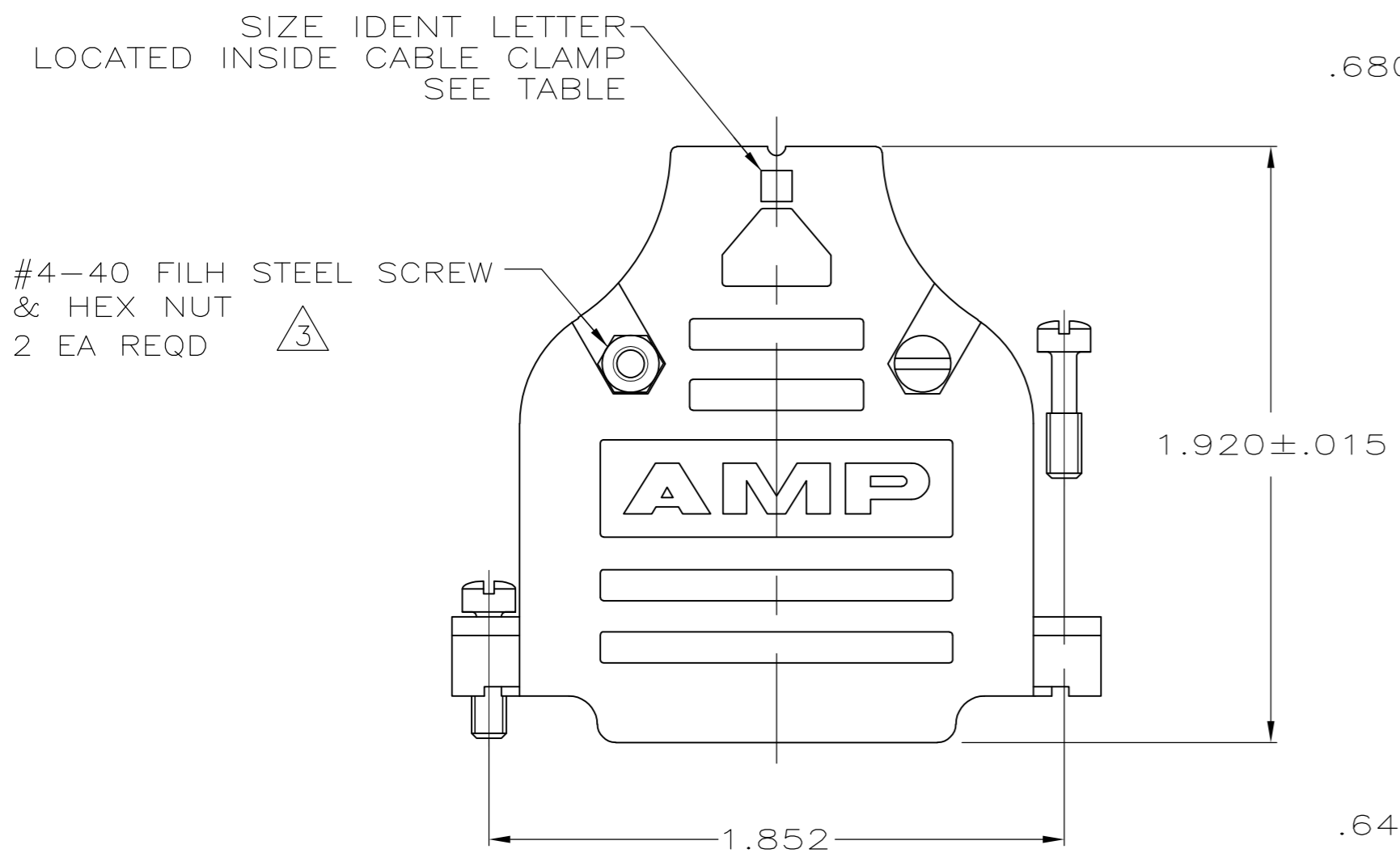
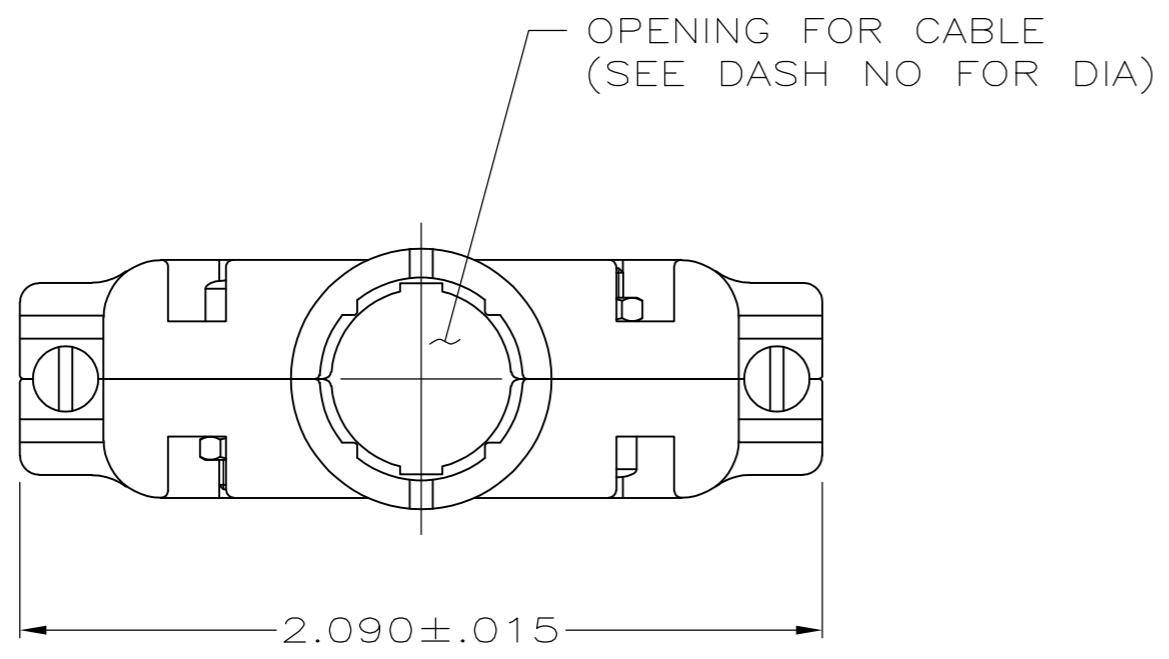


THIS DRAWING IS UNPUBLISHED. RELEASED FOR PUBLICATION  
 © COPYRIGHT - By - ALL RIGHTS RESERVED.

| LOC | DIST | REVISIONS   |                           |         |        |
|-----|------|-------------|---------------------------|---------|--------|
| P   | LTR  | DESCRIPTION | DATE                      | DWN     | APVD   |
| GP  | 00   | A1          | REVISED PER ECO-11-004835 | 11MAR11 | RK HMR |



1. ALL PARTS PACKAGED UNASSEMBLED.
  2. THIS KIT CONSISTS OF 2 STRAIN RELIEF HALVES, 2 #4-40 SCREWS, 2 #4-40 NUTS & 2 #4-40 MOUNTING SCREWS.
- △ ZINC PLATED .000200-.000400 THICK, CLEAR CHROMATE COATING.

|          |                   |           |           |
|----------|-------------------|-----------|-----------|
|          | D                 | .280      | 5745833-9 |
|          | G                 | .350      | 5745833-7 |
|          | K                 | .430      | 5745833-5 |
| OBSOLETE | M                 | .480      | 5745833-3 |
|          | P                 | .530      | 5745833-1 |
|          | SIZE IDENT LETTER | CABLE DIA | PART NO.  |

**COPYRIGHT 2005  
 TE CONNECTIVITY CORP  
 ALL RIGHTS RESERVED**

|  |  |                  |              |         |  |
|--|--|------------------|--------------|---------|--|
| THIS DRAWING IS A CONTROLLED DOCUMENT.   |  | DWN              | D. HENNY     | 8-13-05 | <br>TE Connectivity  |
| DIMENSIONS: INCHES   |  | CHK              | C. ROHDE     | 8-13-05 |  |
| TOLERANCES UNLESS OTHERWISE SPECIFIED:   |  | APVD             | M. WALMSLEY  | 8-13-05 |  |
| 0 PLC ± -<br>1 PLC ± -<br>2 PLC ± -<br>3 PLC ± .005<br>4 PLC ± -<br>ANGLES ± - |  | PRODUCT SPEC     | NAME         |         |  |
| MATERIAL SEE CALLOUTS  |  | FINISH           | SEE CALLOUTS |         | CABLE CLAMP KIT, SIZE 3, 25 POSN, 180 DEG,<br>AMPLIMITE SERIES, PLATED PLASTIC |
|  |  | WEIGHT           | -            |         | SIZE A2 CAGE CODE 00779 DRAWING NO C=5745833 RESTRICTED TO -                   |
|  |  | CUSTOMER DRAWING | SCALE        | 1:1     | SHEET 1 of 1 REV A1  |