

Distributed by:

JAMECO[®]
ELECTRONICS

www.Jameco.com ♦ 1-800-831-4242

The content and copyrights of the attached
material are the property of its owner.

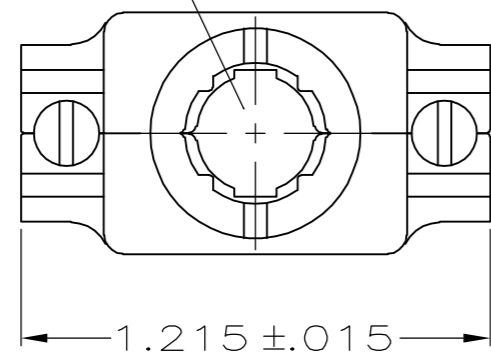
Jameco Part Number 755219

THIS DRAWING IS UNPUBLISHED. RELEASED FOR PUBLICATION
 © COPYRIGHT BY TYCO ELECTRONICS CORPORATION. ALL RIGHTS RESERVED.

LOC		DIST		REVISIONS			
P	LTR	DESCRIPTION	DATE	DWN	APVD		
GP	00	A	REVISED PER EC 0S13-0326-05	26APR06	JG	CR	

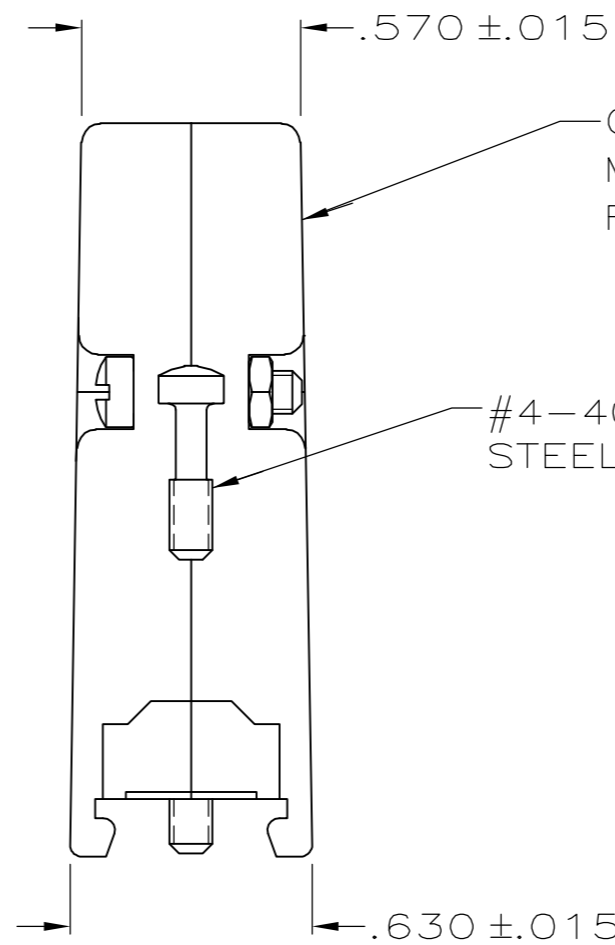
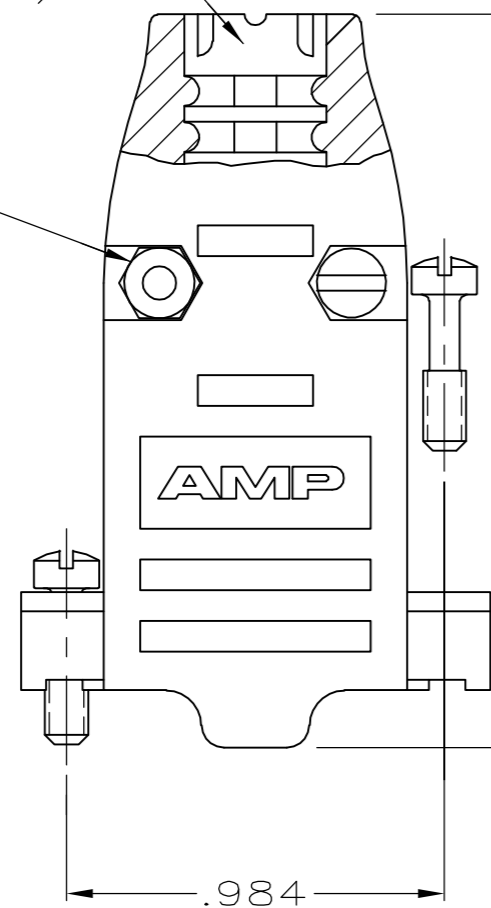
1. ALL PARTS PACKAGED UNASSEMBLED.
- 2 AS SHOWN, THIS KIT CONSISTS OF 2 STRAIN RELIEF HALVES, 2 #4-40 SCREWS, 2 #4-40 NUTS & 2 #4-40 MOUNTING SCREWS.
- 3 SAME AS SHOWN, EXCEPT: EACH PART IS INDIVIDUALLY BULK PACKED FOR MULTIPLE KIT ORDERS.
- 4 ZINC PLATED .000200-.000400 THICK, CLEAR CHROMATE COATING.
- 5 OBSOLETE.

OPENING FOR CABLE
(SEE DASH NO FOR DIA)



SIZE IDENTIFICATION
LETTER MOLDED HERE
(SEE TABLE)

#4-40 FILLISTER HEAD
STEEL SCREW & HEX NUT,
2 EACH REQD. 4



CABLE CLAMP
MATERIAL: FLAME RETARDANT THERMOPLASTIC
FINISH: BRIGHT NICKEL OVER BRIGHT COPPER

#4-40 FILLISTER HEAD SCREW
STEEL, 2 REQD. 4

A	.200	-	5745854-5
C	.250	-	5745854-3
H	.370	5745854-2 5	5745854-1
SIZE IDENT LETTER	CABLE DIA	BULK PACKED KIT NO 3	INDIVIDUAL KIT NO 2

THIS DRAWING IS A CONTROLLED DOCUMENT.		DWN B. MCMASTER 04AUG05	Tyco Electronics Corporation Harrisburg, Pa 17105-3608	
DIMENSIONS: INCHES	TOLERANCES UNLESS OTHERWISE SPECIFIED:	CHK C. ROHDE 04AUG05	NAME M. WALMSLEY 04AUG05	
	0 PLC ± -	APVD M. WALMSLEY 04AUG05	PRODUCT SPEC	
	1 PLC ± -	APPLICATION SPEC	-	
MATERIAL SEE CALLOUT	FINISH SEE CALLOUT	WEIGHT -	SIZE A2	RESTRICTED TO -
CUSTOMER DRAWING		SCALE 2:1	SHEET 1 OF 1	REV A