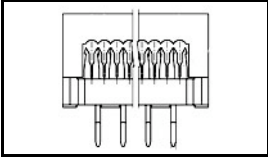


5746613-3 Product Details

[Share](#) [Print](#) [Email](#)




5746613-3

TE Internal Number: 5746613-3

 Active

[View 3D PDF](#)

AMP-LATCH Ribbon Cable Connectors

 Always EU RoHS/ELV Compliant
(Statement of Compliance)

Product Highlights:

- AMP-LATCH Product Line
- Wire-to-Board
- Applies To Printed Circuit Board
- Connector Assembly
- Connector Style = Plug

[View all Features](#)

Quick Links

- ▶ [Pricing & Availability](#)
- ▶ [Search for Tooling](#)
- ▶ [Product Feature Selector](#)
- ▶ [Contact Us About This Product](#)

[Add to My Part List](#)

[Request Sample](#)

[Find Similar Products](#)

[Buy Product](#)

Documentation & Additional Information

Product Drawings:

- [KIT, AMP-LATCH DIP PLUG, PREASSEMBLED .100 X .300 CE...](#) (PDF, English)

Catalog Pages/Data Sheets:

- [Ribbon Cable Interconnect Solutions](#) (PDF, English)

Product Specifications:

- [Connector, Round Conductor Cable, Paddleboard & Plug...](#) (PDF, English)

Application Specifications:

- None Available

Instruction Sheets:

- [Connector-Specific Kit for AMP-LATCH DIP Connectors](#) (PDF, English)

CAD Files: (CAD Format & Compression Information)

- [2D Drawing](#) (DXF, Version 0)
- [3D Model](#) (IGES, Version 0)
- [3D Model](#) (STEP, Version 0)

[List all Documents](#)

Additional Information:

- [Product Line Information](#)

Related Products:

- [Tooling](#)

Product Features (Please use the Product Drawing for all design activity)

Product Type Features:

- Product Line = AMP-LATCH
- Connector Type = Connector Assembly
- PCB Mounting Orientation = Vertical
- PCB Mount Retention = Without
- PCB Mount Alignment = Without
- UL File Number = E28476
- CSA File Number = LR 7189

Electrical Characteristics:

- Contact - Rated Current (A) = 1
- Operating Voltage Reference = AC
- Operating Voltage (VAC) = 250

Termination Features:

- Wire/Cable Size (AWG) = 26 - 30

Housing Features:

- Connector Style = Plug
- Centerline (mm [in]) = 2.54 [0.100]
- Housing Color = Black
- UL Flammability Rating = UL 94V-0

Configuration Features:

- Number of Positions = 16
- Number of Rows = 2
- Tail Orientation = In-line

Industry Standards:

- [RoHS/ELV Compliance](#) = RoHS compliant, ELV compliant
- [Lead Free Solder Processes](#) = Wave solder capable to 240°C, Wave solder capable to 260°C, Wave solder capable to 265°C

- Wire/Cable Size (mm²) = 0.051 – 0.15
- Wire/Cable Size (CMA) = 101 – 296
- Termination Method to PC Board = Through Hole - Solder
- Termination Method to Wire/Cable = Insulation Displacement Crimp (IDC)

Dimensions:

- Tail Length (mm [in]) = 3.94 [0.155]
- PCB Thickness, Recommended (mm [in]) = 3.18 [0.125]
- Length (X-Axis) (mm [in]) = 22.56 [0.8882]
- Width (Z-Axis) (mm [in]) = 7.06 [0.278]
- Profile Height (Y-Axis) (mm [in]) = 6.43 [0.253]

Body Features:

- Row-to-Row Spacing (mm [in]) = 2.54 [0.100]

Contact Features:

- Contact Type = Pin
- Contact Base Material = Phosphor Bronze
- Contact Plating, Mating Area, Material = Gold or Palladium Nickel or Performance Based
- Contact Plating, Mating Area, Thickness (µm [µin]) = 2.54 [100]
- Contact Plating, Termination Area, Material = Tin
- Contact Plating, Termination Area, Thickness (µm [µin]) = 2.54 [100]

- RoHS/ELV Compliance History = Always was RoHS compliant
- Agency/Standard = UL, CSA
- UL Rating = Recognized
- UL Voltage Rating (VAC) = 250

Environmental:

- Operating Temperature (°C [°F]) = -65 – +105 [-85 – +221]

Conditions for Usage:

- Applies To = Printed Circuit Board
- Accepts Wire Insulation Diameter, Range (mm [in]) = 0.81 – 1.07 [0.032 – 0.042]

Operation/Application:

- Application Use = Wire-to-Board
- Contact Transmits (Typical Application) = Signal (Data)

Packaging Features:

- Packaging Method = Tray

Other:

- Series = AMP-LATCH DIP Plug
- Brand = AMP

Corporate Information

- [About TE](#)
- [Investors](#)
- [News Room](#)
- [Supplier Portal](#)
- [Careers](#)
- [Terms & Conditions](#)
- [Privacy Policy](#)

Quick Links

- [Distributor Inventory](#)
- [Product Cross Reference](#)
- [Documents & Drawings](#)
- [Product Compliance Support Center](#)
- [Site Map](#)

Customer Support

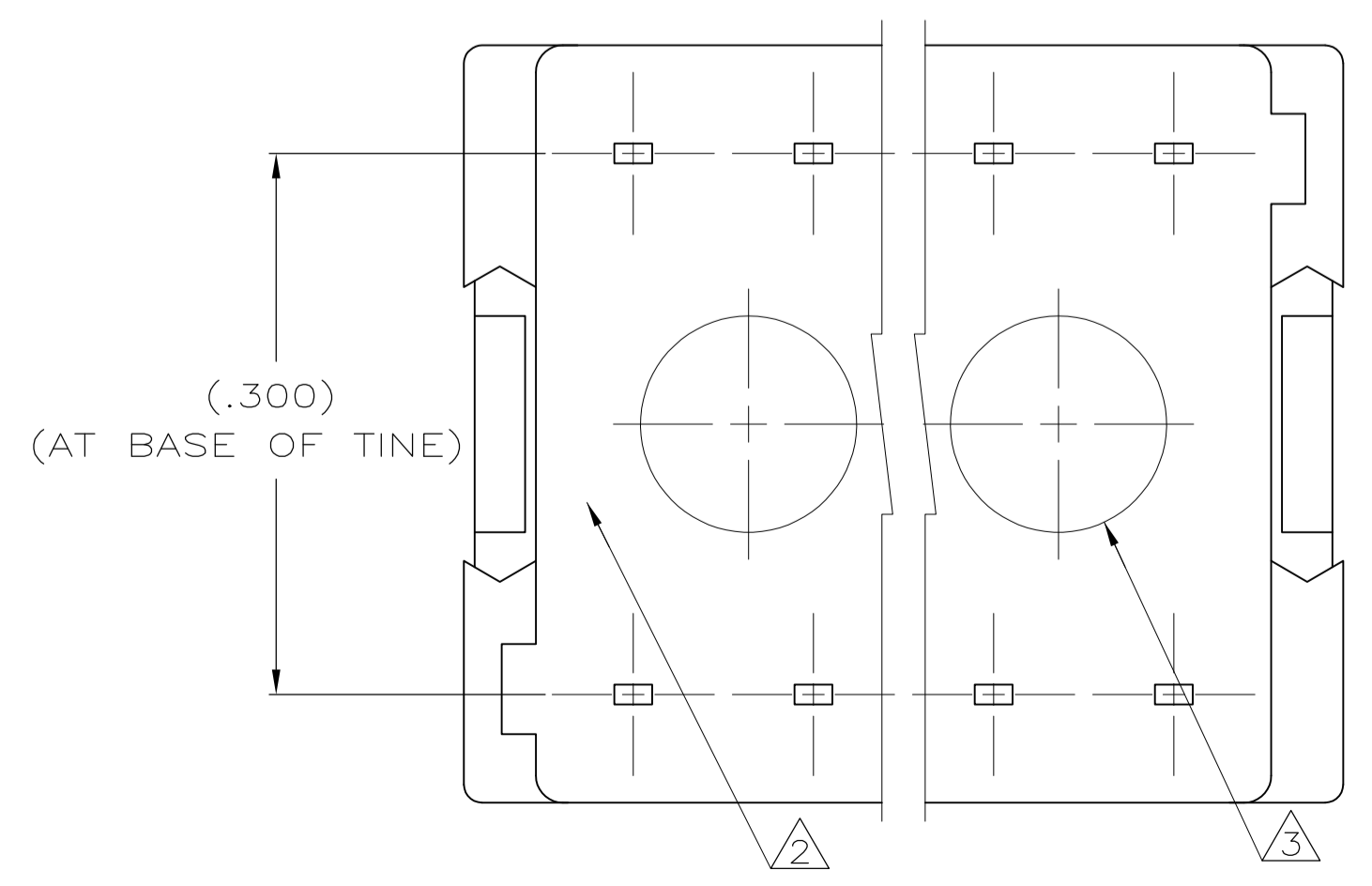
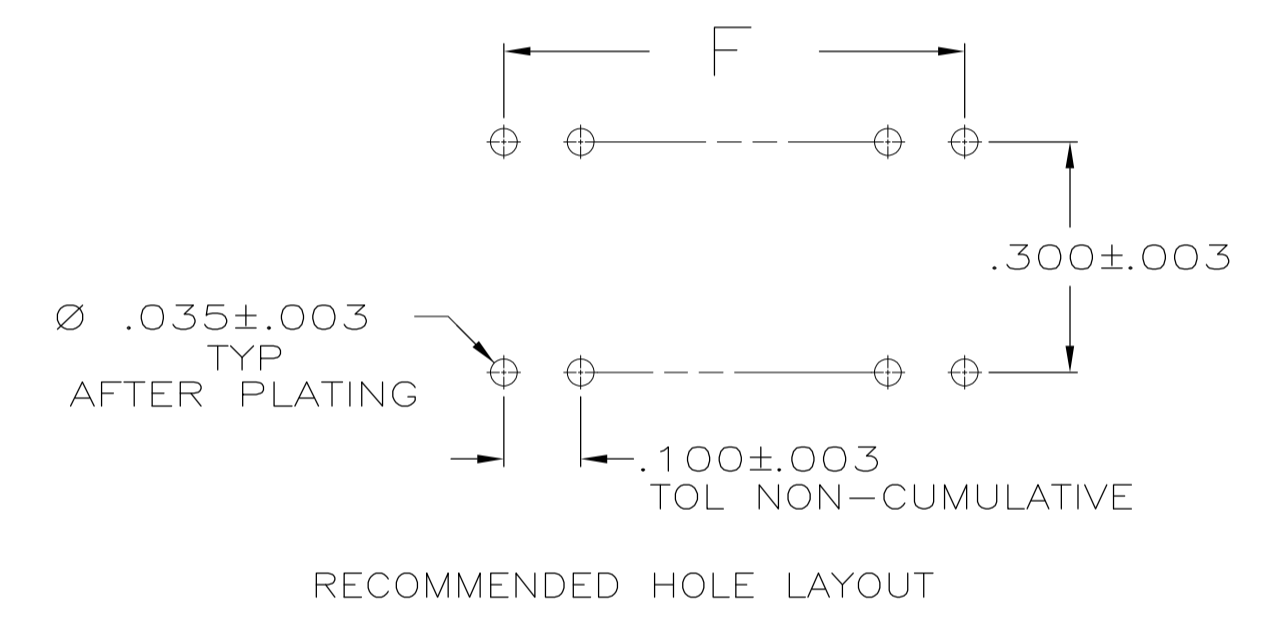
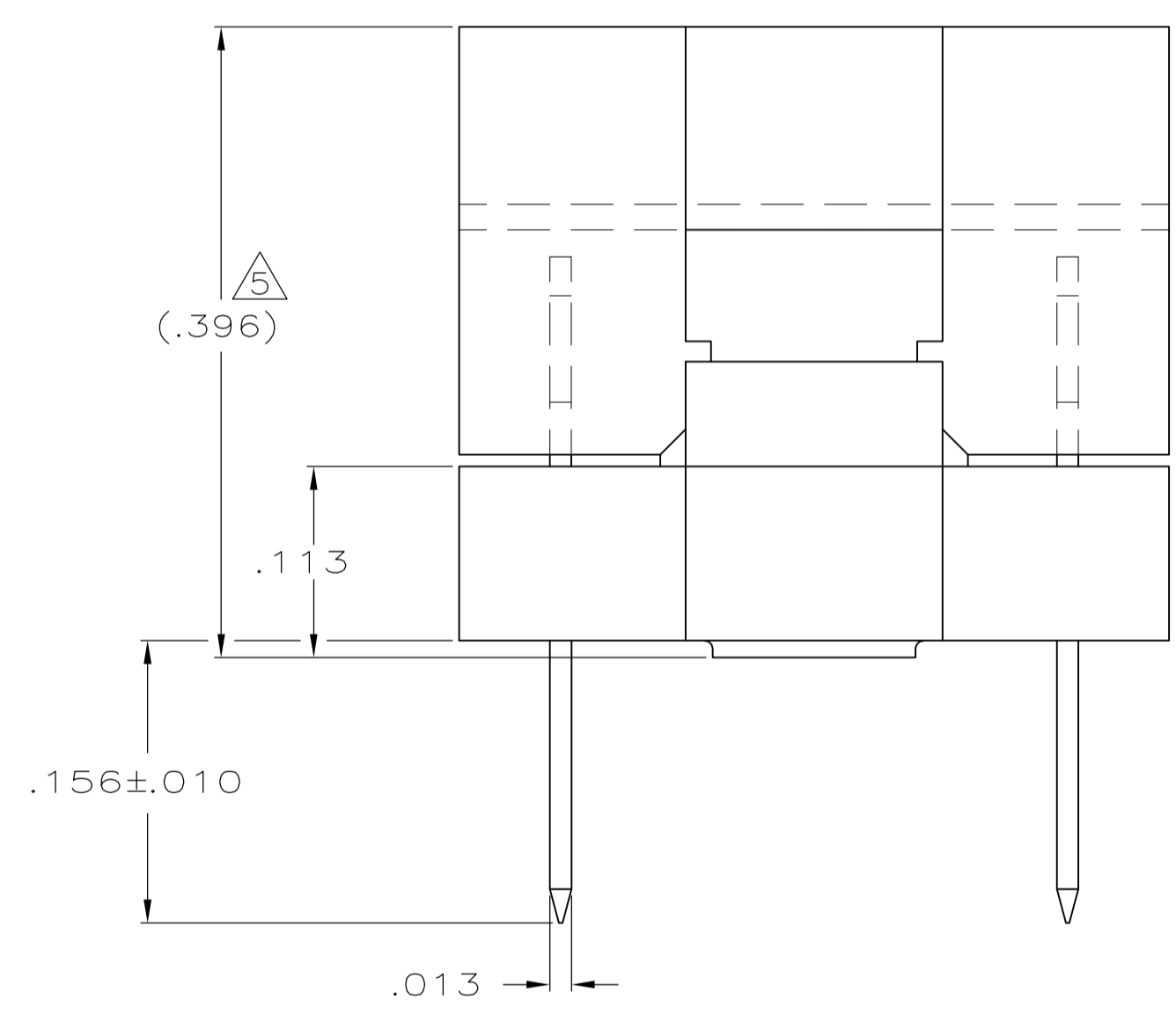
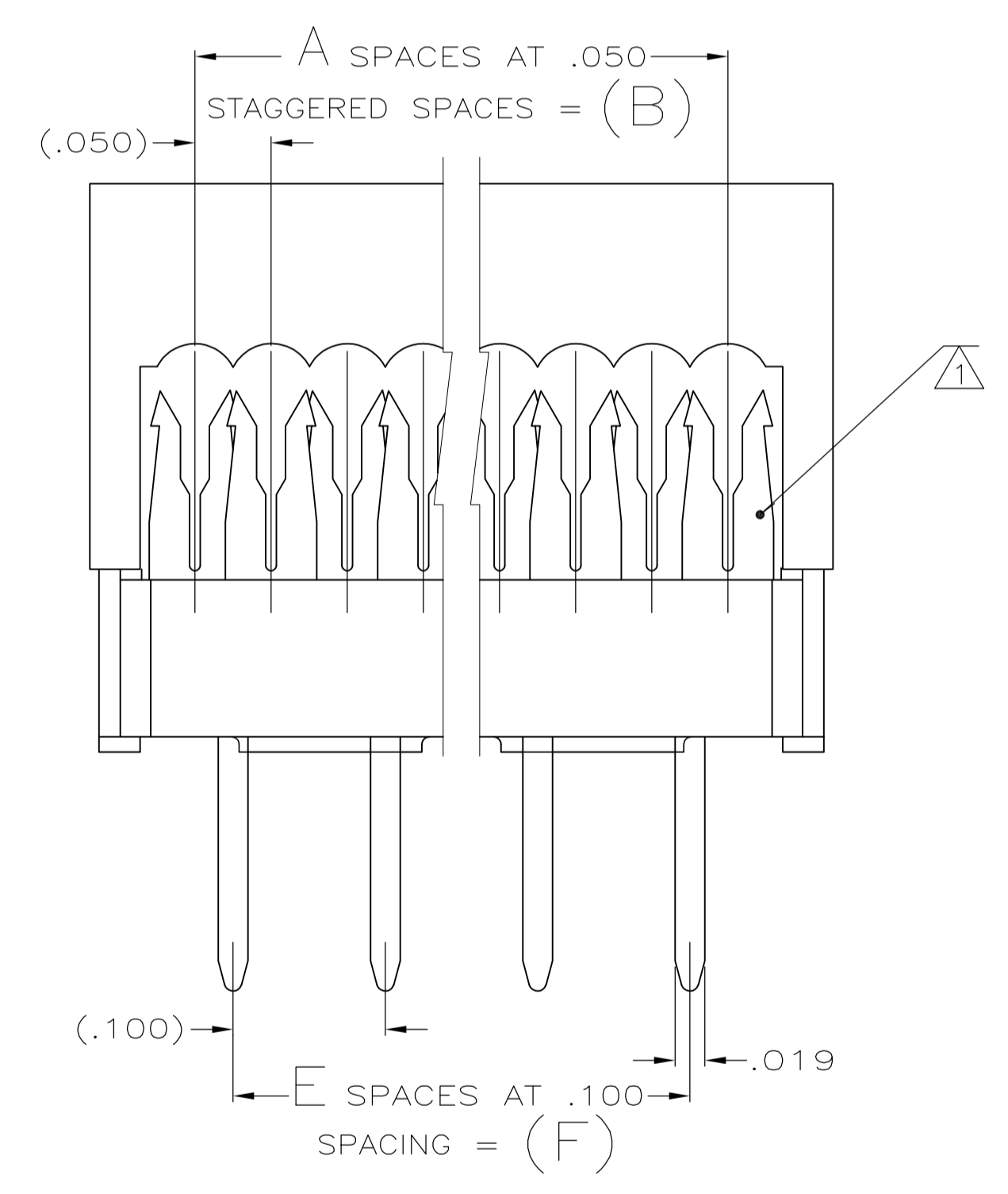
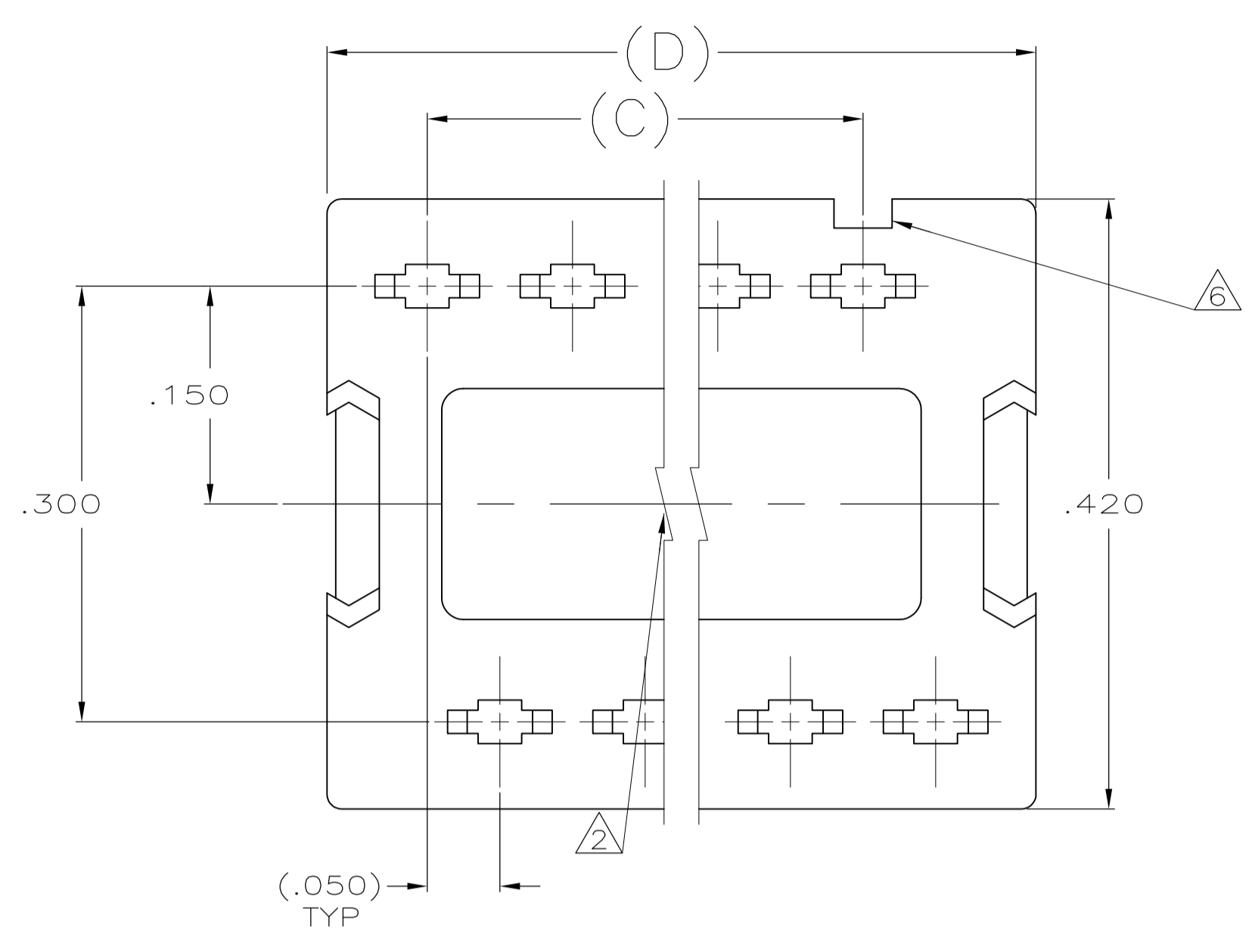
- [Email or Chat With Us](#)
- [Find a Phone Number](#)
- [Knowledge Base](#)
- [Manage Your Account](#)

Keep Me Informed



LOC		DIST		REVISIONS			
GP	00	FR	LTR	DESCRIPTION	DATE	DMN	APVD
C				REVISED PER ECO-13-012013	09AUG2013	CJV	CWR

- ① CONTACTS DESIGNED FOR 26 & 28 AWG STRANDED OR 26, 28 & 30 AWG SOLID WIRE.
- ② AMP TRADEMARK LOCATED IN APPROX AREA SHOWN.
- ③ STANDOFFS: POSN 8 (2) STANDOFFS AS SHOWN.
POSN 14-20 (3) STANDOFFS, (1) CENTERED BETWEEN (2) SHOWN
- ④ .000005 MIN GOLD ON RIBBON CABLE TERMINATION AREA
.000100-.000200 MATTE TIN ON SOLDER TAILS, ALL OVER
.000050 MIN NICKEL.
- ⑤ HEIGHT AFTER TERMINATION IS (.253).
- ⑥ INDICATES NO 1 POSITION.
- ⑦ MOLDED PARTS: 94V-0 RATED THERMOPLASTIC, COLOR BLACK.
CONTACTS: PHOS BRONZE



OBSOLETE	.900	9	1.088	.900	.950	19	20	5746613-5
OBSOLETE	.800	8	.988	.800	.850	17	18	-4
	.700	7	.888	.700	.750	15	16	-3
	.600	6	.788	.600	.650	13	14	-2
	.300	3	.488	.300	.350	7	8	5746613-1
	F	E	D	C	B	A	NO OF POSN	

THIS DRAWING IS A CONTROLLED DOCUMENT.

DIMENSIONS: INCHES	TOLERANCES UNLESS OTHERWISE SPECIFIED:	DIN G. ATTADIA - DOCKS 11-29-04	APVD M. WALMSLEY 11-29-04	NAME	TE Connectivity
0 PLC ± -	1 PLC ± -	CJK C. ROHDE 11-29-04	M. WALMSLEY 11-29-04	KIT, AMP-LATCH DIP PLUG, PREASSEMBLED .100 X .300 CENTERS.	
2 PLC ± -	3 PLC ± .005			PRODUCT SPEC 108-40013	
4 PLC ± -	ANGLES ± -			APPLICATION SPEC 114-40005	
MATERIAL	FINISH	WEIGHT	SIZE	CAGE CODE	DRAWING NO
⑦	④		A1	00779	5746613
CUSTOMER DRAWING			SCALE	NTS	SHEET 1 OF 1