

Distributed by:

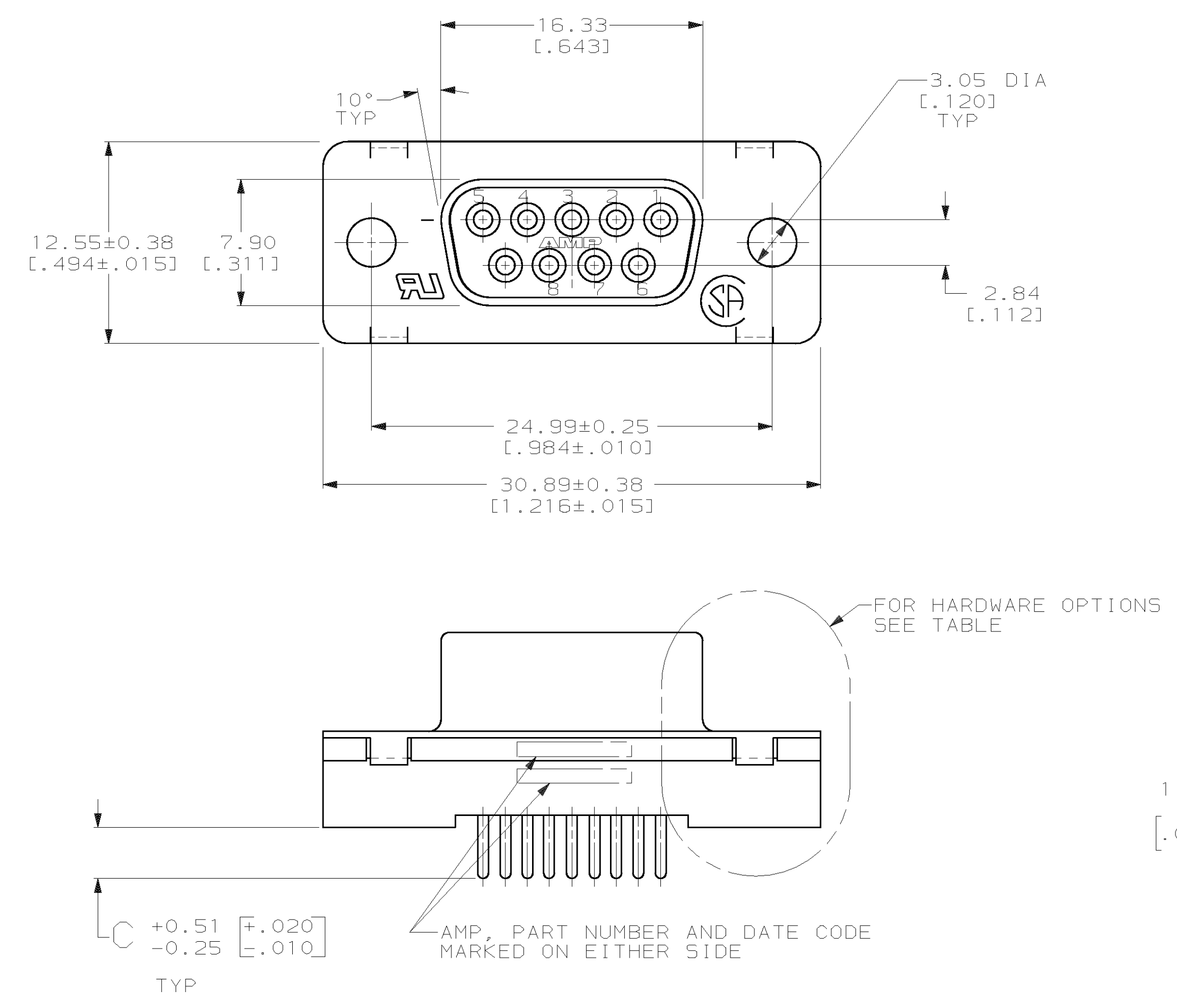
JAMECO[®]
ELECTRONICS

www.Jameco.com ♦ 1-800-831-4242

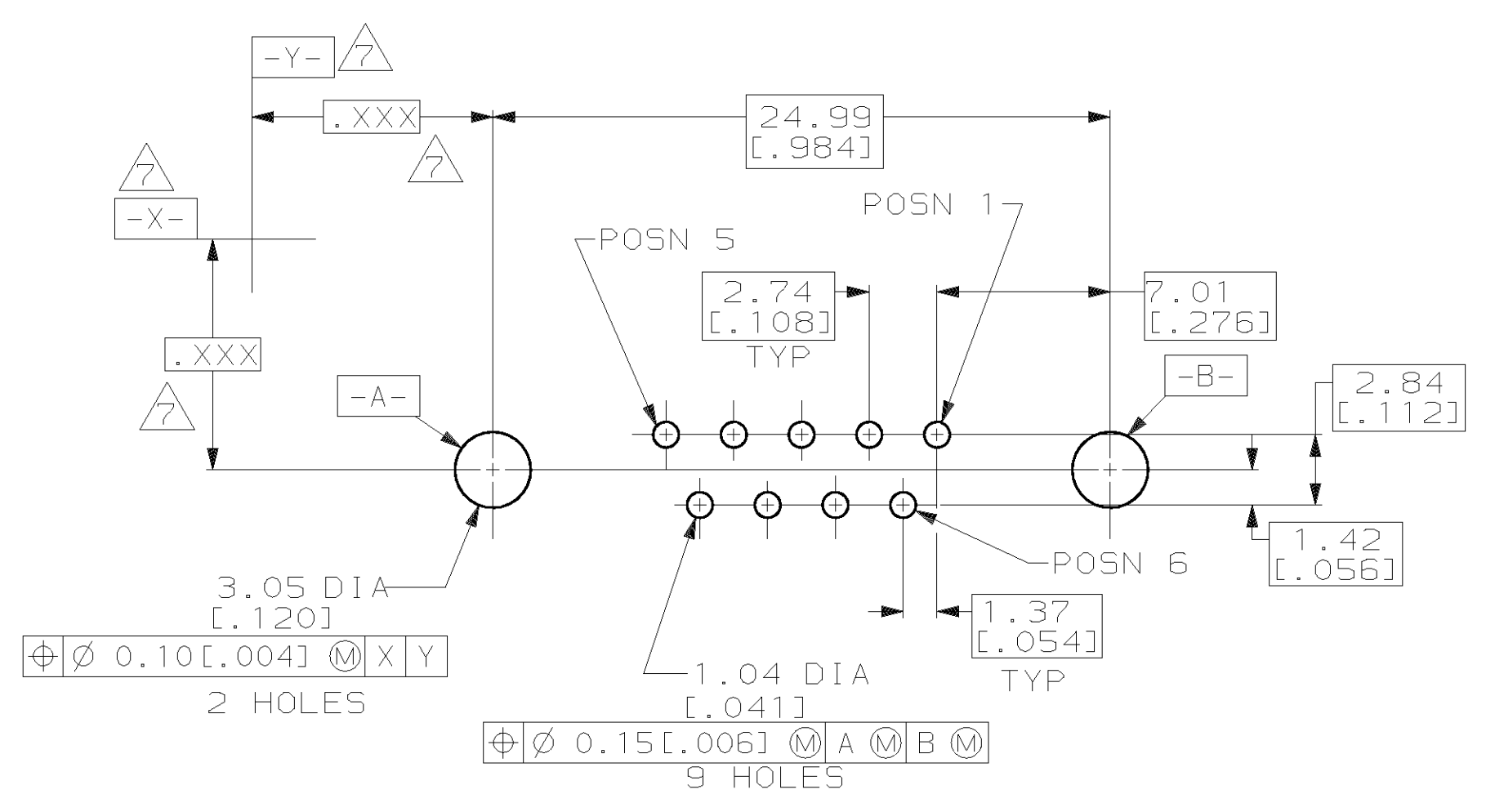
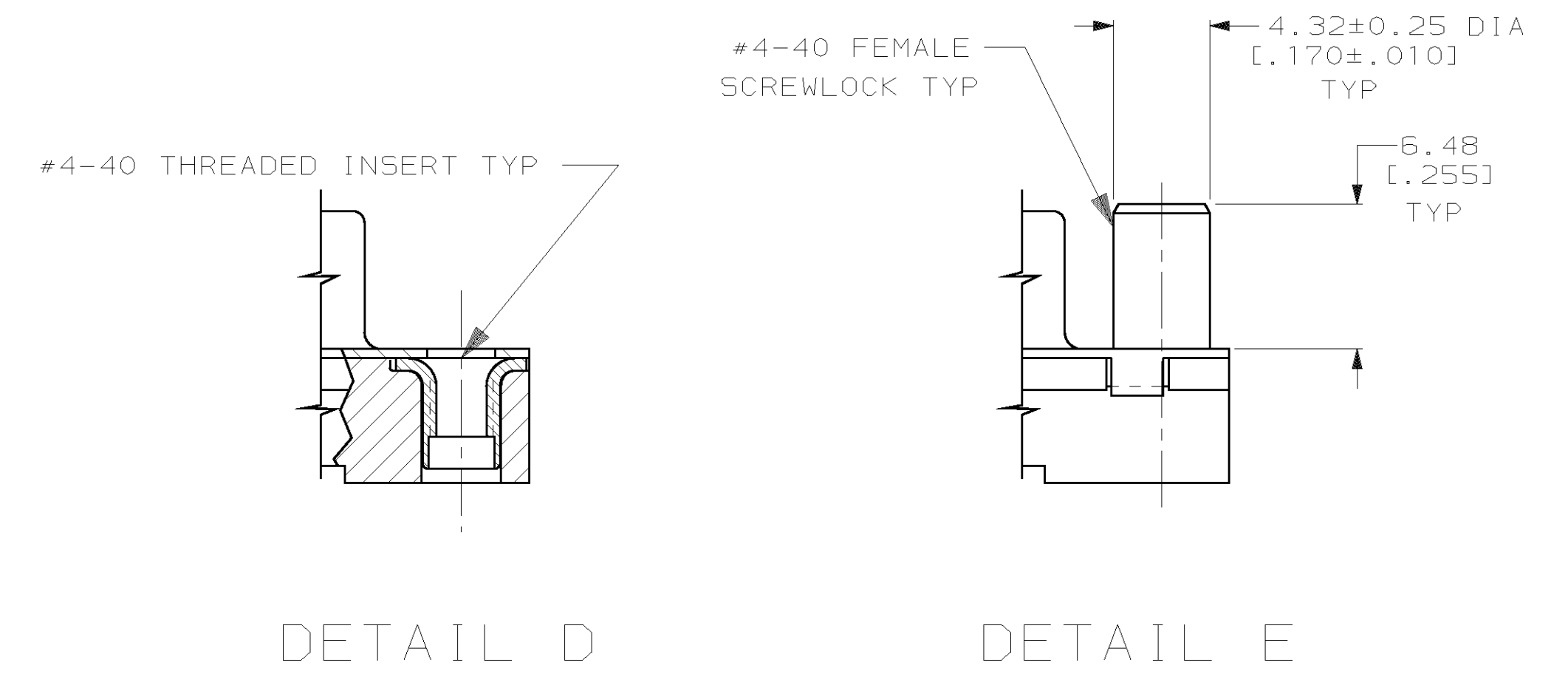
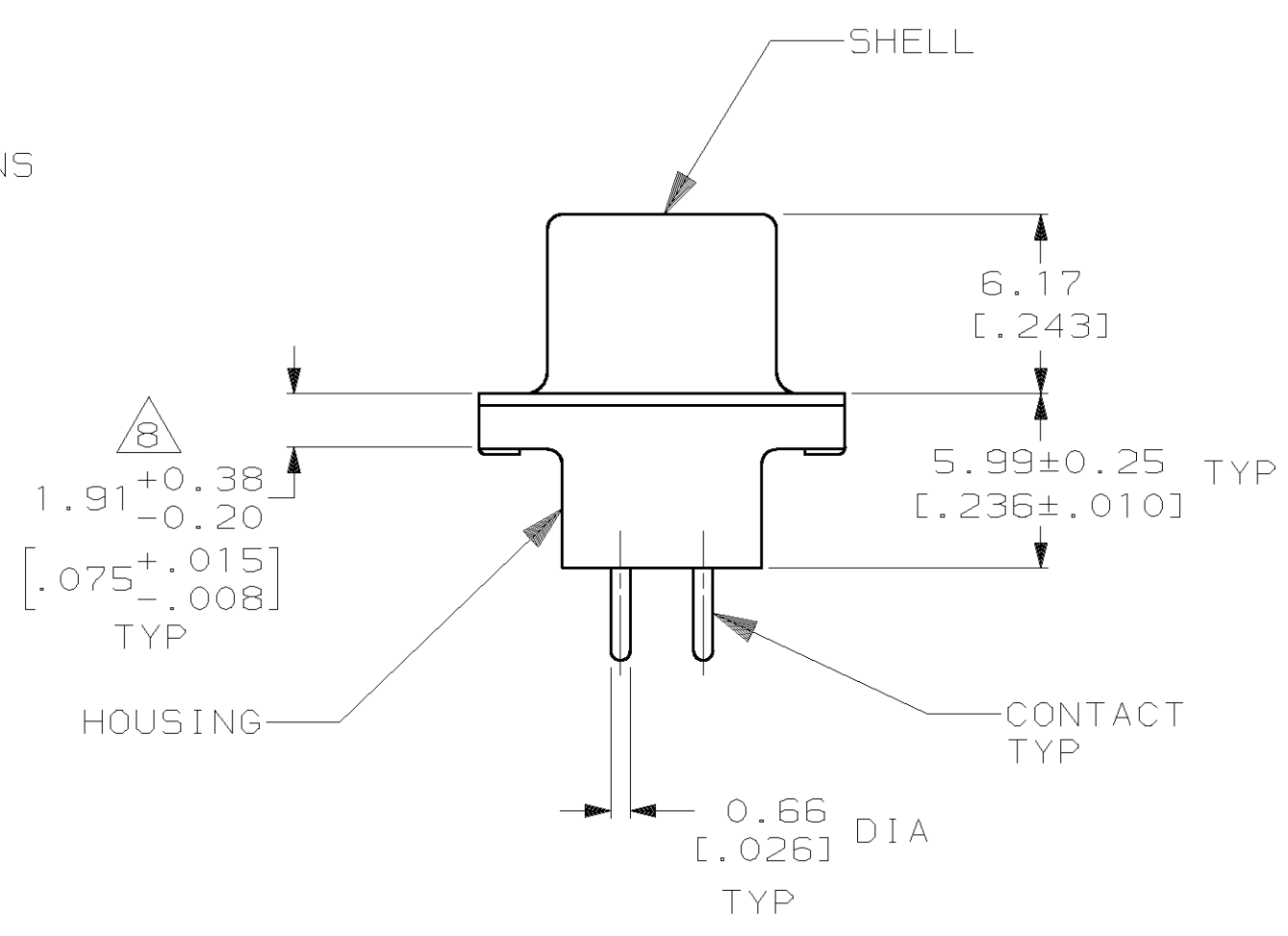
The content and copyrights of the attached
material are the property of its owner.

Jameco Part Number 863404

LOC		DIST		P		ZONE		LTR		REVISIONS			
GP	00									DESCRIPTION	DATE	APPD	
										K	REVISED PER EC 0513-0030-03	06NOV03	JG



- 1 POLYESTER, UL 94V-0 RATED, BLACK.
- 2 CARBON STEEL PER ASTM A109.
- 3 5.08um [.000200] MIN TIN OVER 2.54um [.000100] MIN COPPER.
- 4 GOLD FLASH FOR A LENGTH OF 2.54 [.100] MIN FROM MATING END, 2.54um [.000100] MIN TIN OR TIN-LEAD ON OPPOSITE END, BOTH OVER 1.27um [.000050] MIN NICKEL.
- 5 0.76um [.000030] MIN GOLD FOR A LENGTH OF 2.54 [.100] MIN FROM MATING END, 2.54um [.000100] MIN TIN OR TIN-LEAD ON OPPOSITE END, BOTH OVER 1.27um [.000050] MIN NICKEL.
- 6 TIN PLATING PER MIL-T-10727, GOLD PLATING PER MIL-G-45204, NICKEL PLATING PER QQ-N-290, COPPER PLATING PER MIL-C-14550.
- 7 DATUMS AND BASIC DIMENSIONS ESTABLISHED BY CUSTOMER.
- 8 2.79 [.110] MAX IN SHELL TAB CLINCH AREAS.
- 9 SUPERSEDED BY 747150-2.
- 10 SUPERSEDED BY 747150-9.
- 11 SUPERSEDED BY 1-747150-6.
- 12 OBSOLETE.



RECOMMENDED PC BOARD LAYOUT
 CONNECTOR SIDE OF PC BOARD

CONFIGURATION	CONTACTS	FINISH	PART NO
W/FEMALE SCREWLOCKS PER DETAIL E	5	4.32 [.170]	1-747150-6
	4	4.32 [.170]	1-747150-5
	5	3.18 [.125]	1-747150-4
W/THREADED INSERTS PER DETAIL D	4	3.18 [.125]	1-747150-3
	5	6.35 [.250]	1-747150-1
	5	4.32 [.170]	1-747150-0
WO/FEMALE SCREWLOCKS OR THREADED INSERTS AS SHOWN	4	4.32 [.170]	747150-9
	5	3.18 [.125]	747150-8
	4	3.18 [.125]	747150-7
HARDWARE OPTIONS	5	4.32 [.170]	747150-4
	5	3.18 [.125]	747150-2
	4	3.18 [.125]	747150-1

DO NOT SCALE PRINT. UNLESS SPECIFIED DIMENSIONS IN mm [INCHES] TOLERANCES ON: 2 PLC DEC ± 0.13 [.005] 3 PLC DEC ± - ANGLES ± 2°	DR 3-22-93 D BROCKWAY CHK 5-10-93 R STONE APPD 5-10-93 M PERCERCHKE APPD 5-10-93 M PERCERCHKE	AMP AMP INCORPORATED Harrisburg, Pa. 17105 NAME RECEPTACLE ASSEMBLY, SIZE 1, 9 POSITION FRONT METAL SHELL, WITH OR WITHOUT SCREWLOCKS OR INSERTS, AMPLIMITE™ HDP	
MATERIAL HOUSING: 1 SHELL: 2 CONTACTS: PHOS, BRONZE PER QQ-B-750 SCREWLOCKS: ZINC, INSERTS: BRASS	PRODUCT SPEC 108-40025 APPLICATION SPEC 114-40023 WEIGHT -		