



Have a Question?
 Chat with a Product Information Specialist

What can we help you find?

[Products](#) [Industries](#) [Resources](#) [About TE](#) [My Account](#) [Innovation](#) [Support Center](#)

5747238-4 Product Details

[Share](#) [Print](#) [Email](#)



5747238-4

TE Internal Number: 5747238-4

Active

[View 3D PDF](#)

Standard Board Mount Connectors

Always EU RoHS/ELV Compliant (Statement of Compliance)

Product Highlights:

- 25 Positions
- Connector Style = Plug
- PCB Mounting Orientation = Right Angle
- Product Series = HD 20
- With Mating Connector Lock

[View all Features](#)

Quick Links

- ▶ [Pricing & Availability](#)
- ▶ [Search for Tooling](#)
- ▶ [View Mating Products \(14\)](#)
- ▶ [Product Feature Selector](#)
- ▶ [Contact Us About This Product](#)

[Add to My Part List](#) [Request Sample](#) [Find Similar Products](#) [Buy Product](#)

Documentation & Additional Information

Product Drawings:

- [PLUG ASSEMBLY, SIZE 3, 25 POSITION, RIGHT ANGLE, FRO...](#) (PDF, English)

Catalog Pages/Data Sheets:

- [AMPLIMITE Subminiature D Connectors - Right-Angle Po...](#) (PDF, English)

Product Specifications:

- None Available

Application Specifications:

- None Available

Instruction Sheets:

- None Available

CAD Files: [\(CAD Format & Compression Information\)](#)

- [2D Drawing](#) (DXF, Version D)
- [3D Model](#) (IGES, Version D)
- [3D Model](#) (STEP, Version D)

[List all Documents](#)

Additional Information:

- [Product Line Information](#)

Related Products:

- [Tooling](#)
- [Mating Products \(14\)](#)

Product Features (Please use the Product Drawing for all design activity)

Product Type Features:

- [PCB Mounting Orientation](#) = Right Angle
- [Product Series](#) = HD 20
- [Mating Connector Lock](#) = With
- [Mating Connector Lock Type](#) = Threaded Insert, 4-40 UNC
- [PCB Mount Retention](#) = With
- [PCB Mount Retention Type](#) = Mounting Hole(s)
- [Shell Type](#) = Front Metal Shell
- [Shell Size](#) = 3
- [Footprint \(mm \[in\]\)](#) = 8.08 [.318]
- [Grounding Indents](#) = With
- [Grounding Straps](#) = With
- [PCB Mount Style](#) = Through Hole
- [Color Code](#) = None
- [Sealed](#) = No
- [Profile](#) = Standard
- [Post Size \(mm \[in\]\)](#) = 0.66 [.026]
- [Mounting Hole Diameter \(mm \[in\]\)](#) = 3.18 [.125]
- [Shell Material](#) = Steel
- [Threaded Insert Material](#) = Zinc
- [Eyelet Material](#) = Brass

Mechanical Attachment:

- [Panel Mount Retention](#) = Without

Termination Features:

- [Grounding Clips](#) = Without
- [Termination Post Length \(mm \[in\]\)](#) = 3.18 [0.125]
- [Solder Tail Contact Plating](#) = Tin over Nickel

Dimensions:

- [PCB Thickness, Recommended \(in \[mm\]\)](#) = 0.093 [2.36]

Body Features:

- [Shell Plating](#) = Tin
- [Threaded Insert Plating](#) = Clear Chromate
- [Eyelet Plating](#) = Tin

Contact Features:

- [Contact Plating, Mating Area, Material](#) = Gold (30)
- [Contact Shape](#) = Round
- [Contact Base Material](#) = Brass

Housing Features:

- [Connector Style](#) = Plug
- [UL Flammability Rating](#) = UL 94V-0
- [Housing Material](#) = Thermoplastic - GF

Configuration Features:

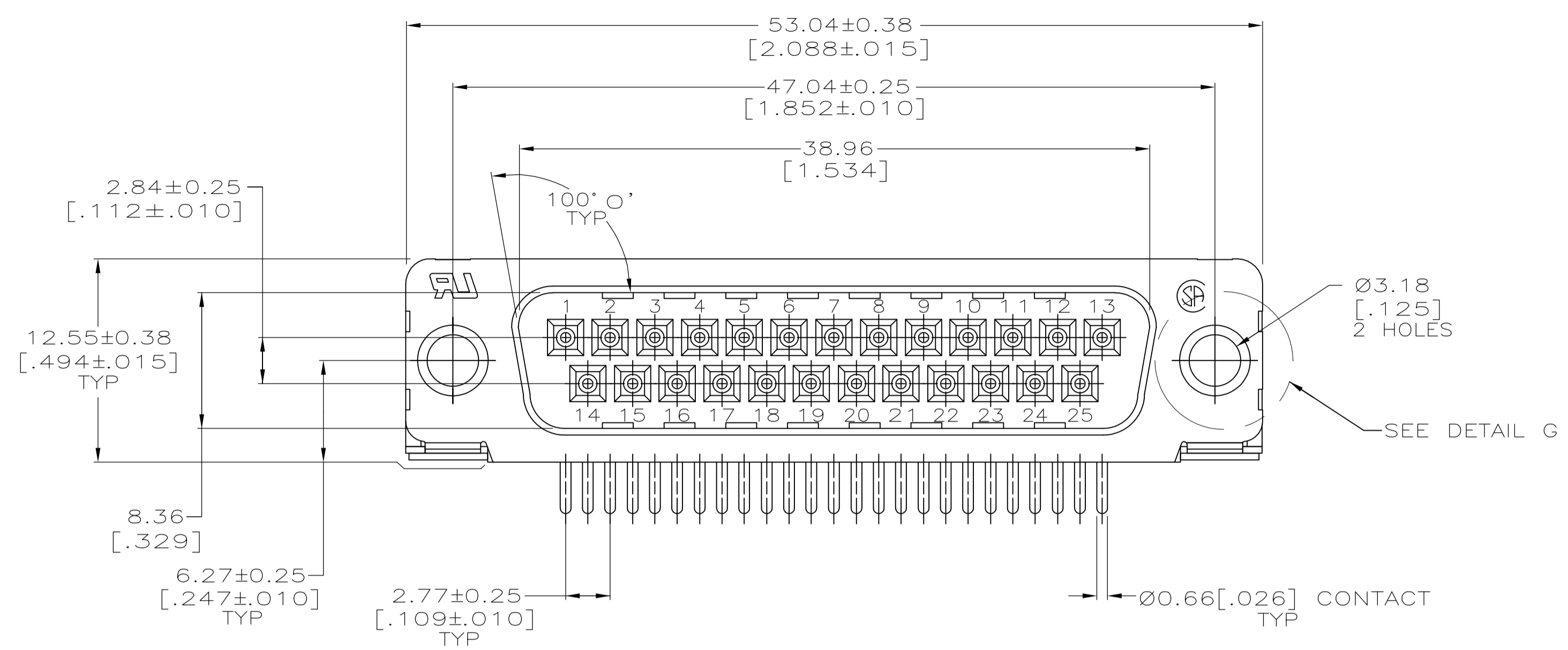
- [Number of Positions](#) = 25

Industry Standards:

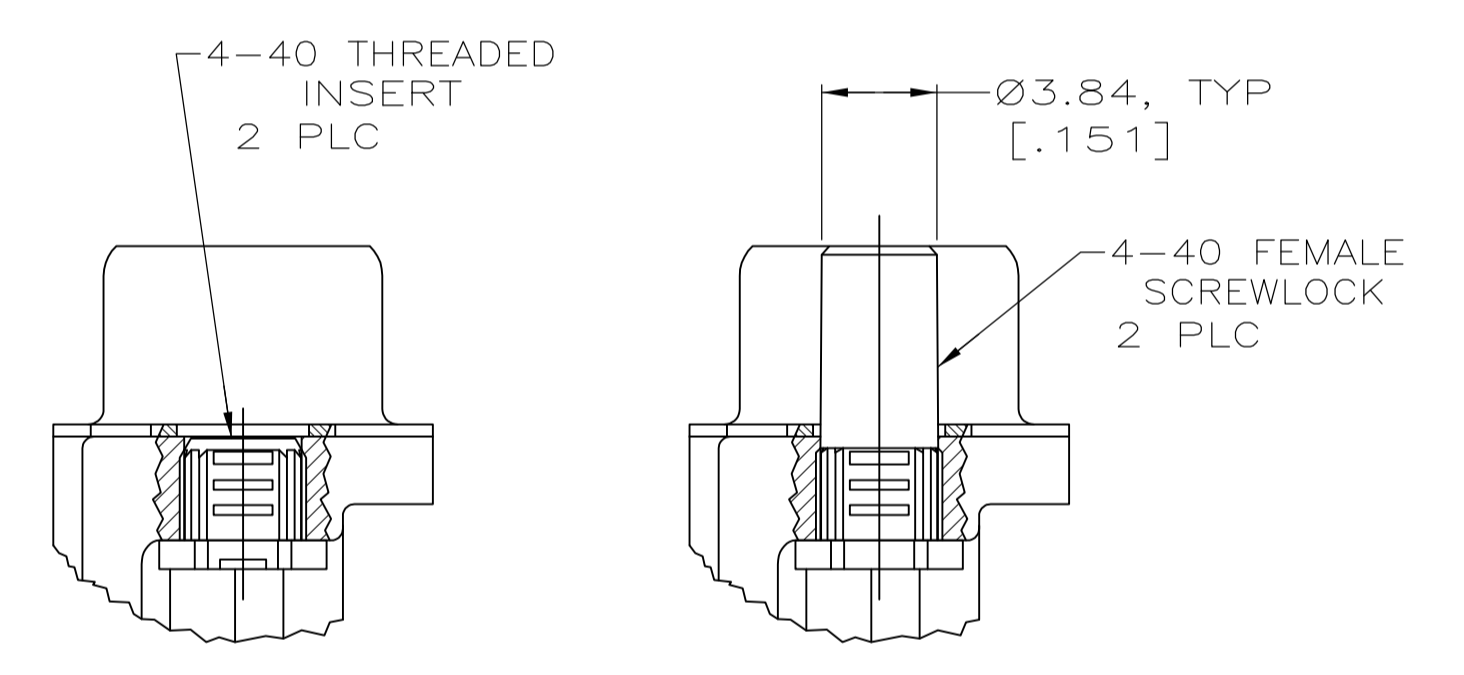
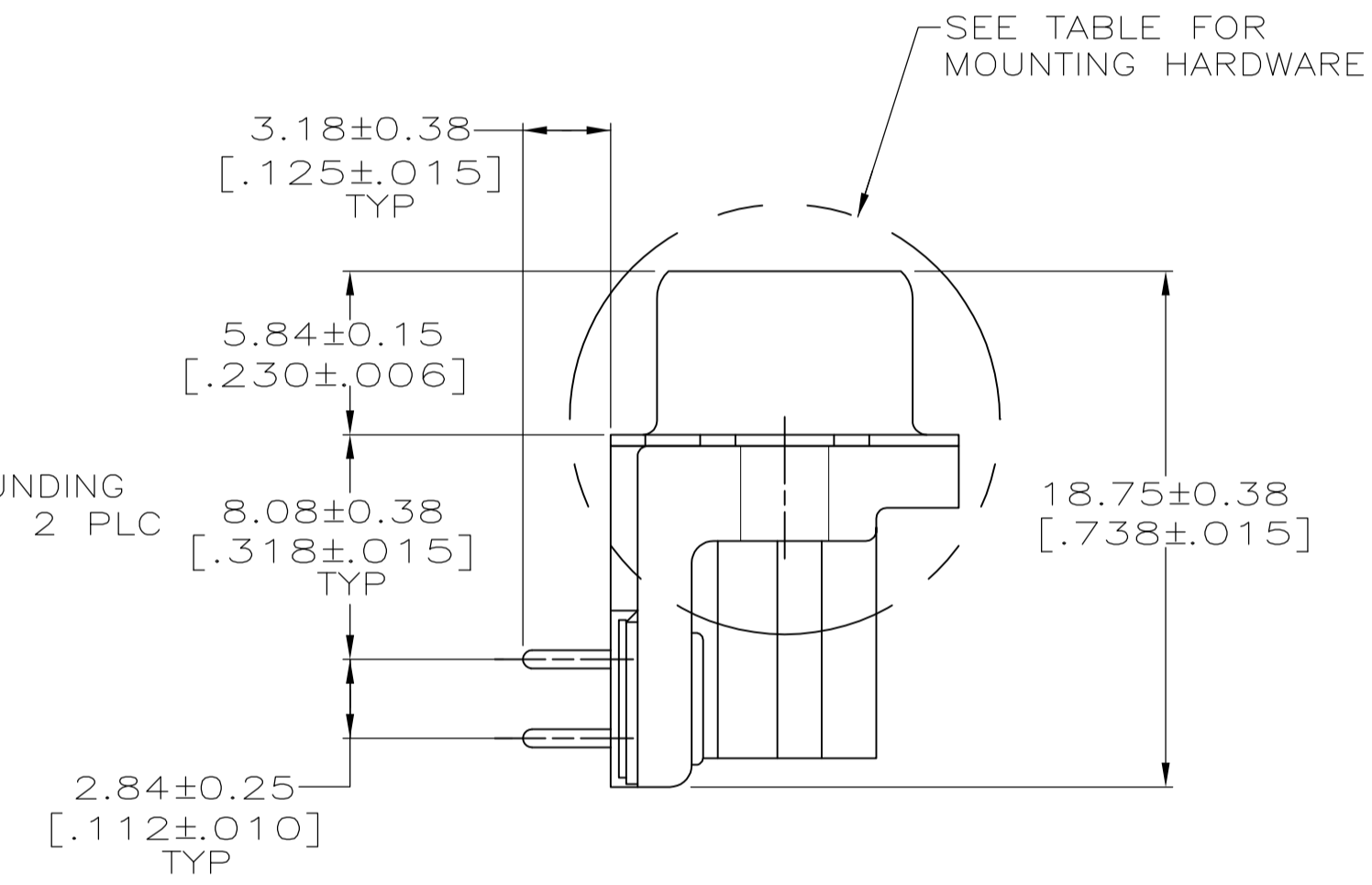
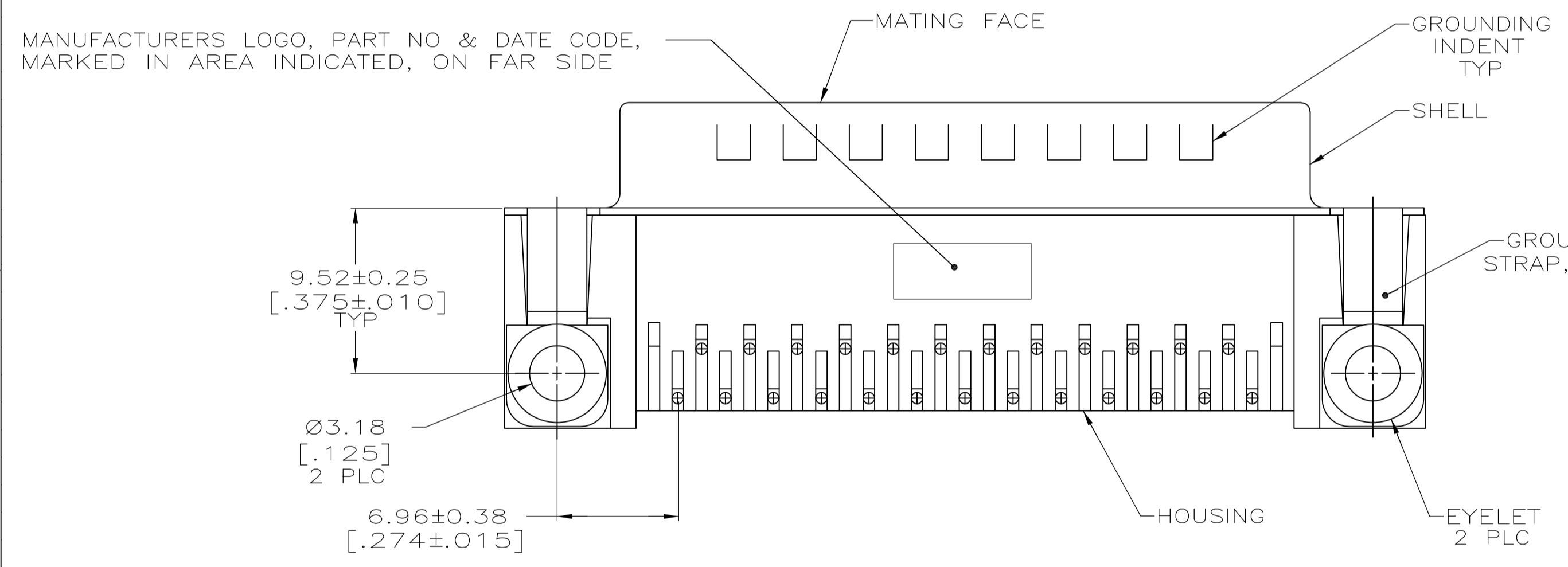
- [RoHS/ELV Compliance](#) = RoHS compliant, ELV compliant
- [Lead Free Solder Processes](#) = Wave solder capable to 240°C, Wave solder capable to 260°C, Wave solder capable to 265°C
- [RoHS/ELV Compliance History](#) = Always was RoHS compliant

Other:

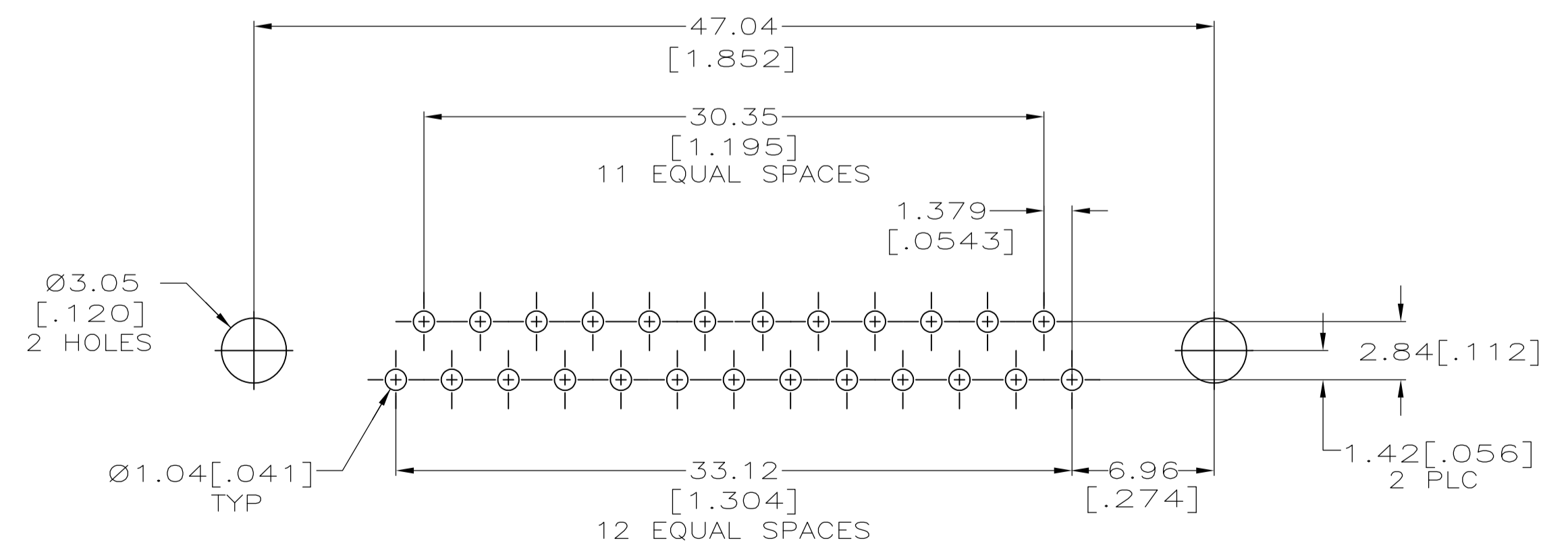
- [Brand](#) = AMP
- [Comment](#) = Plugs are preloaded with size 20 DF posted pin contacts



- 1 HOUSING: NYLON OR POLYESTER, FLAME RETARDANT, UL 94V-0 RATED, GLASS FILLED, BLACK.
CONTACTS: BRASS
SHELL: CARBON STEEL
EYELETS: BRASS
SCREWLOCKS AND INSERTS: ZINC
- 2 SHELL: 2.54µm [.000100] MIN TIN OVER 1.27µm [.000050] MIN COPPER.
CONTACTS: SEE TABLE
EYELETS: 2.54µm [.000100] MIN TIN OVER COPPER FLASH.
SCREWLOCKS & INSERTS: CLEAR CHROMATE
- 3 GOLD FLASH ON THE MATING SURFACES, 2.54µm (.000100) MIN TIN PLATE ON THE SOLDER END, 1.27µm (.000050) MIN NICKEL UNDERPLATE ON THE ENTIRE CONTACT.
- 4 0.76µm (.000030) MIN GOLD PLATE ON THE MATING SURFACES, 2.54µm (.000100) MIN TIN PLATE ON THE SOLDER END, 1.27µm (.000050) MIN NICKEL UNDERPLATE ON THE ENTIRE CONTACT
-OR-
GOLD FLASH OVER PALLADIUM-NICKEL PLATE, 0.76µm (.000030) MIN TOTAL ON THE MATING SURFACES, 2.54µm (.000100) MIN TIN PLATE ON THE SOLDER END, 1.27µm (.000050) MIN NICKEL UNDERPLATE ON THE ENTIRE CONTACT.



DETAIL D DETAIL E



RECOMMENDED P.C. BOARD MOUNTING DIMENSIONS

SEE DETAIL E	△	5747238-6
SEE DETAIL D	△	5747238-4
-	△	5747238-3
-	△	5747238-2
OBSOLETE	△	5747238-1
MOUNTING HARDWARE	CONTACT FINISH	PART NUMBER

THIS DRAWING IS A CONTROLLED DOCUMENT. DIMENSIONING AND TOLERANCING PER ASME Y14.5M-2009		DIN A. FERNANDEZ-DOCKS 04-12-05	TE Connectivity
DIMENSIONS: mm [INCHES]	TOLERANCES UNLESS OTHERWISE SPECIFIED:	APVD M. WALMSLEY 04-12-05	NAME PLUG ASSEMBLY, SIZE 3, 25 POSITION, RIGHT ANGLE, FRONT METAL SHELL, .318 SERIES, AMPLIMITE HD-20
0 PLC ± -	1 PLC ± -	PRODUCT SPEC 108-40025	SIZE 114-40010
2 PLC ± -	3 PLC ± 0.13(.005)	APPLICATION SPEC	SCALE A1 00779 ©=5747238
4 PLC ± -	ANGLES ± 2°	WEIGHT	RESTRICTED TO
MATERIAL	FINISH	CUSTOMER DRAWING	SCALE 4:1 SHEET 1 OF 1 REV D