



Have a Question?
 Chat with a Product
 Information Specialist

What can we help you find?

[Products](#) |
 [Industries](#) |
 [Resources](#) |
 [About TE](#) |
 [My Account](#) |
 [Innovation](#) |
 [Support Center](#)

5747299-2 Product Details

[Share](#) |
 [Print](#) |
 [Email](#)



5747299-2

TE Internal Number: 5747299-2

Active

[View 3D PDF](#)

Standard Board Mount Connectors

Always EU RoHS/ELV Compliant (Statement of Compliance)

Product Highlights:

- 15 Positions
- Connector Style = Receptacle
- PCB Mounting Orientation = Vertical
- Product Series = HD 20
- Without Mating Connector Lock

[View all Features](#)

Quick Links

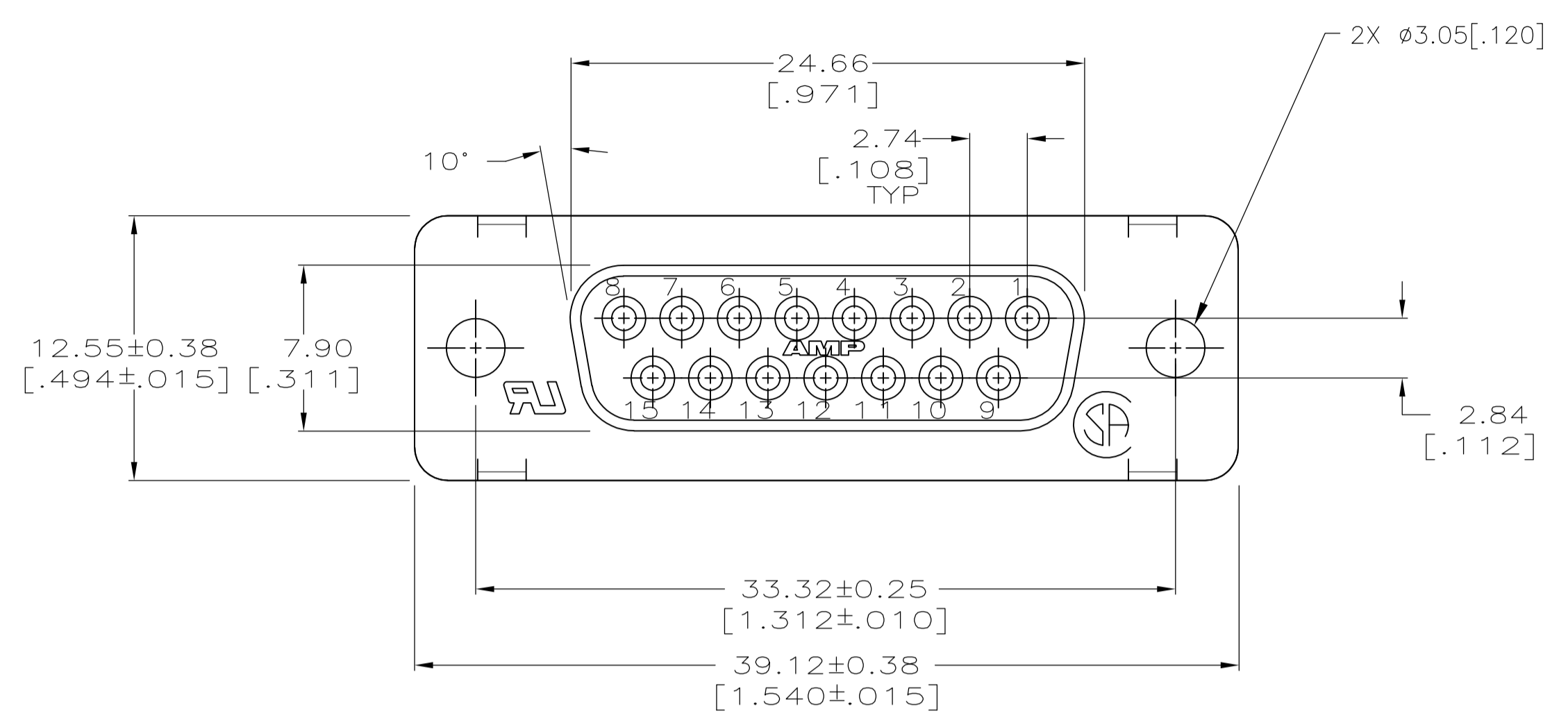
- ▶ [Pricing & Availability](#)
- ▶ [Search for Tooling](#)
- ▶ [View Mating Products \(7\)](#)
- ▶ [Product Feature Selector](#)
- ▶ [Contact Us About This Product](#)

[Add to My Part List](#) |
 [Request Sample](#) |
 [Find Similar Products](#) |
 [Buy Product](#)

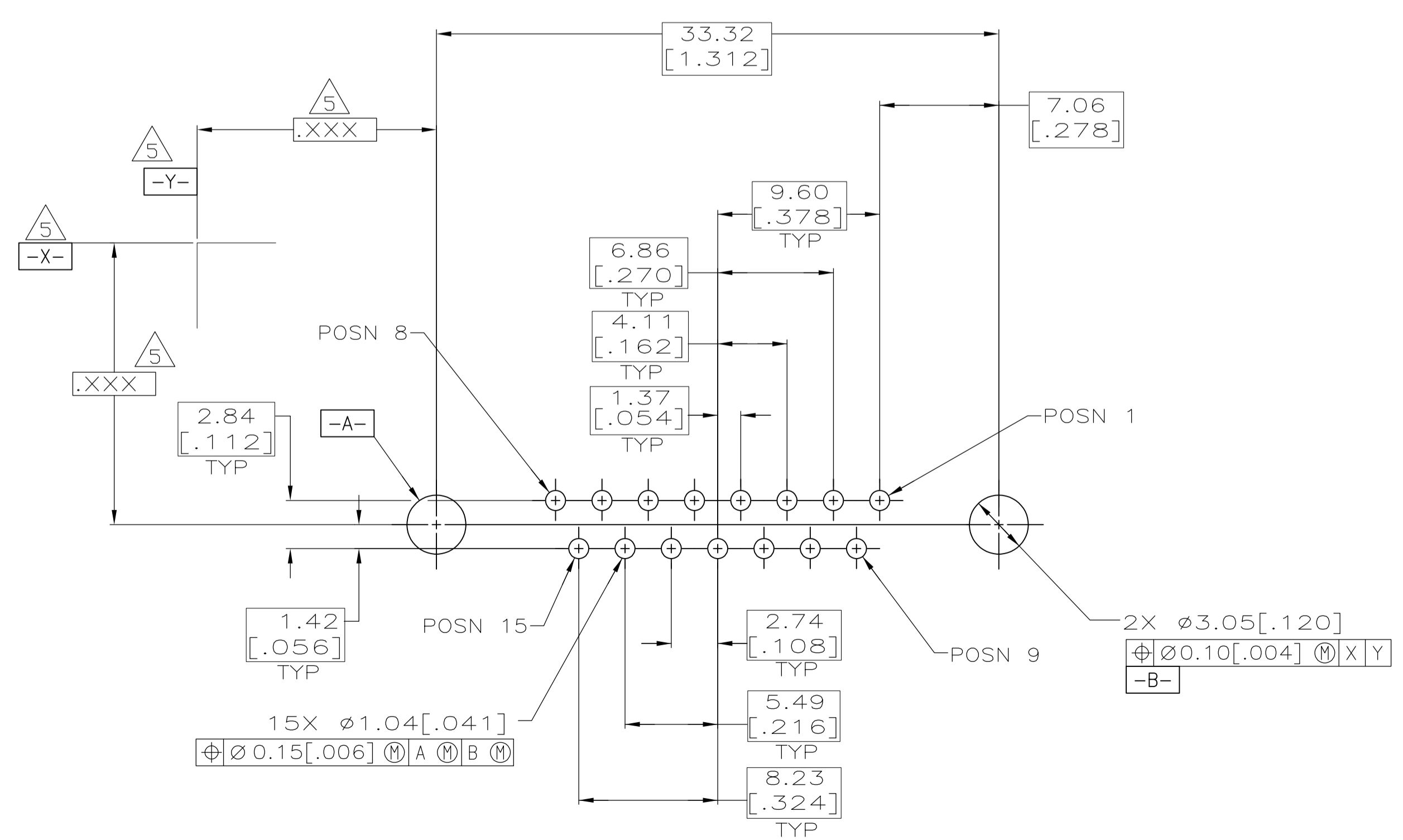
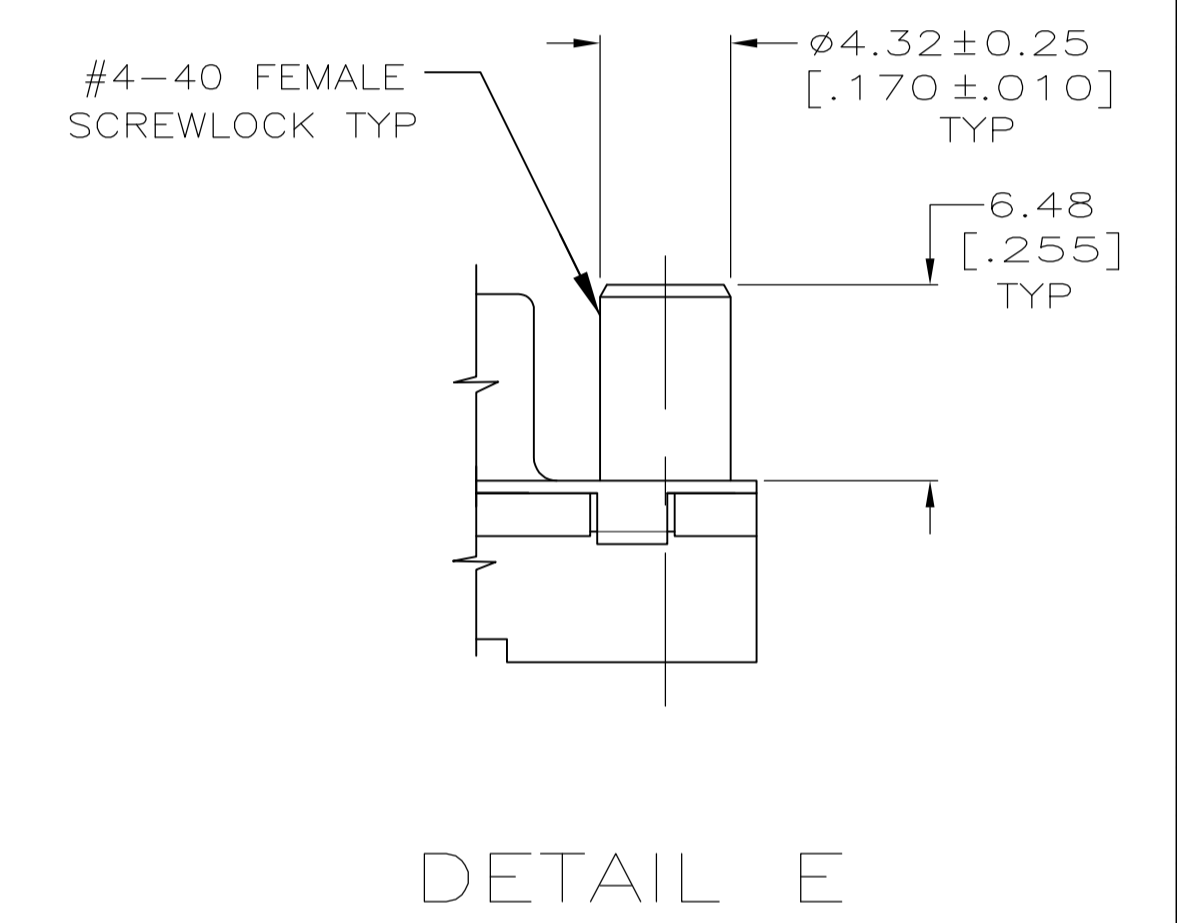
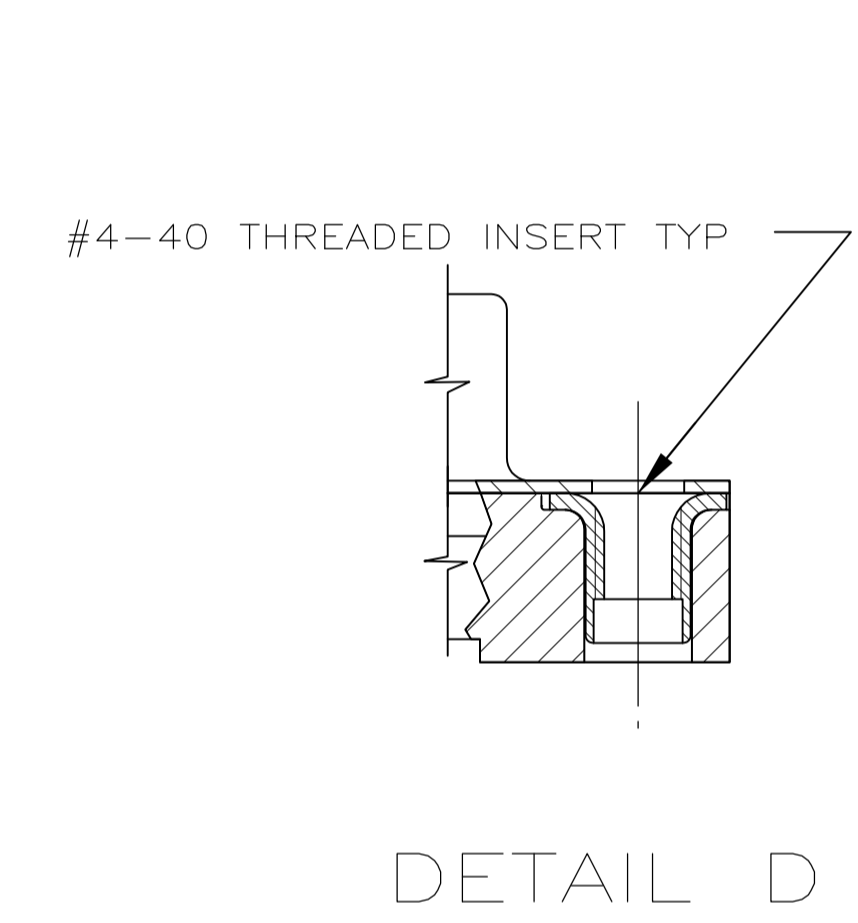
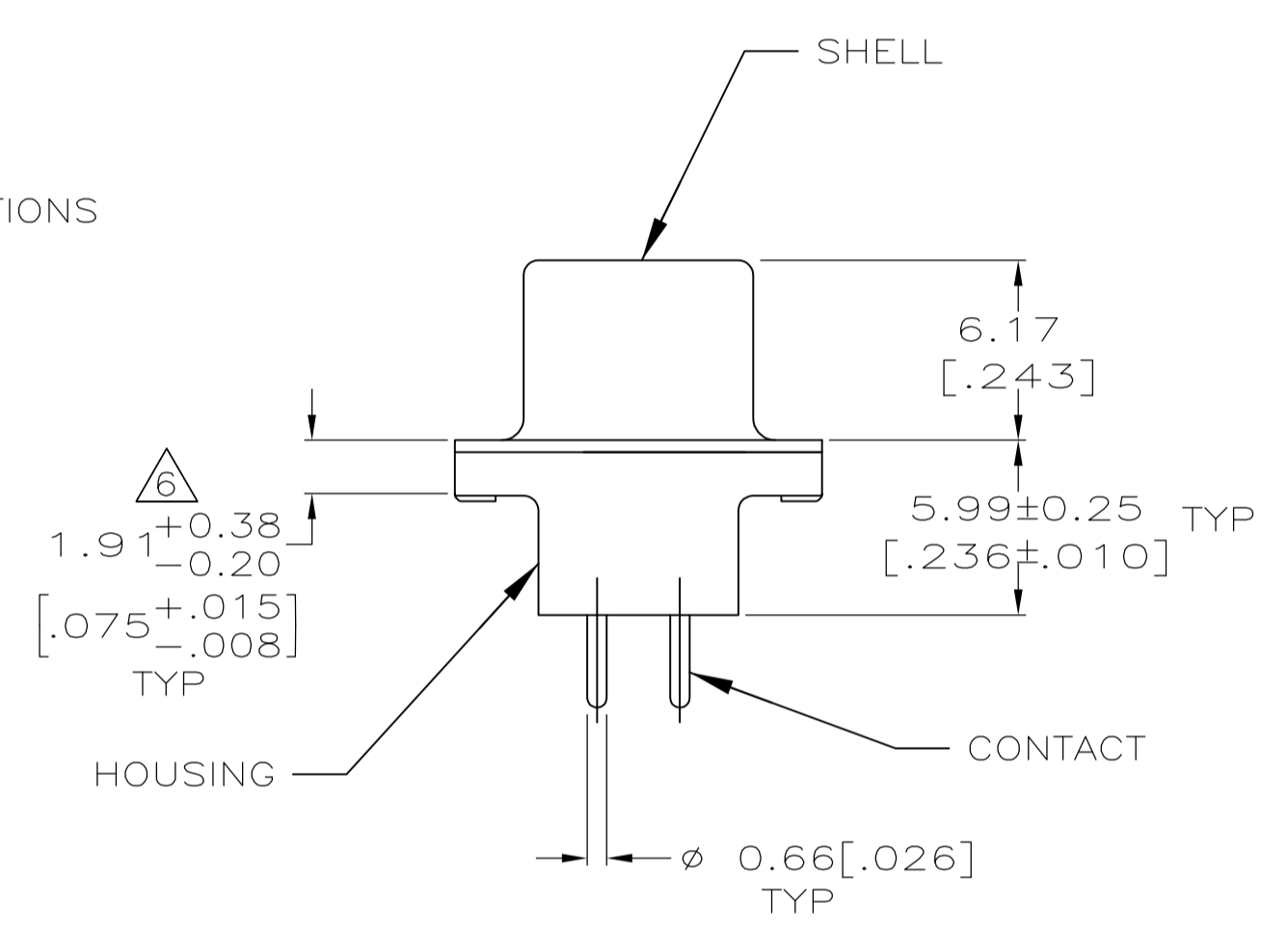
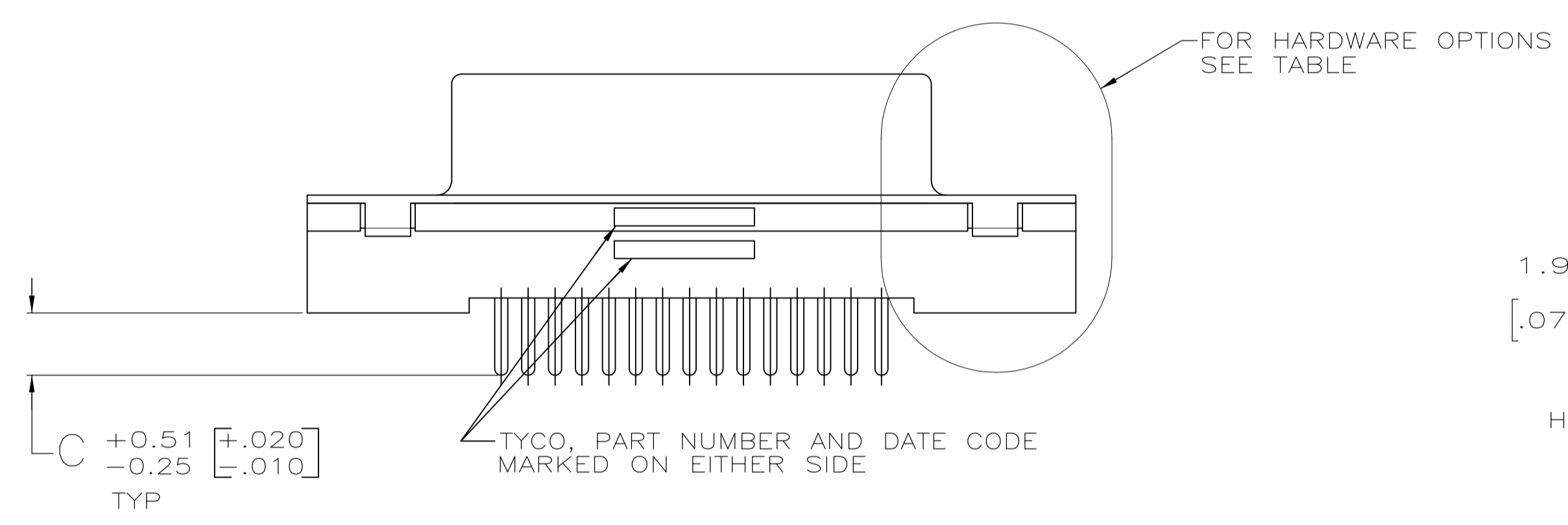
Documentation & Additional Information	
<p>Product Drawings:</p> <ul style="list-style-type: none"> • RECEPTACLE ASSEMBLY, SIZE 2, 15 POSITION, FRONT META... (PDF, English) <p>Catalog Pages/Data Sheets:</p> <ul style="list-style-type: none"> • AMPLIMITE Subminiature D Connectors - Straight Poste... (PDF, English) <p>Product Specifications:</p> <ul style="list-style-type: none"> • AMPLIMITE HD-20 PCB Mounted Connector (PDF, English) <p>Application Specifications:</p> <ul style="list-style-type: none"> • AMPLIMITE HD-20 Straight Solder Contact Tine, Front ... (PDF, English) <p>Instruction Sheets:</p> <ul style="list-style-type: none"> • None Available <p>CAD Files: (CAD Format & Compression Information)</p> <ul style="list-style-type: none"> • 2D Drawing (DXF, Version B) • 3D Model (IGES, Version B) • 3D Model (STEP, Version B) 	<p>Additional Information:</p> <ul style="list-style-type: none"> • Product Line Information <p>Additional Product Images:</p> <ul style="list-style-type: none"> • Product Photo <p>Related Products:</p> <ul style="list-style-type: none"> • Tooling • Mating Products (7)

[List all Documents](#)

Product Features (Please use the Product Drawing for all design activity)	
<p>Product Type Features:</p> <ul style="list-style-type: none"> • PCB Mounting Orientation = Vertical • Product Series = HD 20 • Mating Connector Lock = Without • PCB Mount Retention = With • PCB Mount Retention Type = Mounting Hole(s) • Shell Type = Front Metal Shell • Shell Size = 2 • Grounding Indents = Without • Grounding Straps = Without • PCB Mount Style = Through Hole • Color Code = None • Sealed = No • Profile = Standard • Post Size (mm [in]) = 0.66 [.026] • Mounting Hole Diameter (mm [in]) = 3.05 [.120] • Shell Material = Steel <p>Mechanical Attachment:</p> <ul style="list-style-type: none"> • Panel Mount Retention = Without <p>Termination Features:</p> <ul style="list-style-type: none"> • Grounding Clips = Without • Termination Post Length (mm [in]) = 3.18 [0.125] • Solder Tail Contact Plating = Tin over Nickel <p>Dimensions:</p> <ul style="list-style-type: none"> • PCB Thickness, Recommended (in [mm]) = 0.062 - 0.093 [1.57 - 2.36] 	<p>Body Features:</p> <ul style="list-style-type: none"> • Shell Plating = Tin <p>Contact Features:</p> <ul style="list-style-type: none"> • Contact Plating, Mating Area, Material = Gold (30) • Contact Shape = Round • Contact Base Material = Phosphor Bronze <p>Housing Features:</p> <ul style="list-style-type: none"> • Connector Style = Receptacle • UL Flammability Rating = UL 94V-0 • Housing Material = Thermoplastic - GF <p>Configuration Features:</p> <ul style="list-style-type: none"> • Number of Positions = 15 <p>Industry Standards:</p> <ul style="list-style-type: none"> • RoHS/ELV Compliance = RoHS compliant, ELV compliant • Lead Free Solder Processes = Wave solder capable to 240°C, Wave solder capable to 260°C, Wave solder capable to 265°C • RoHS/ELV Compliance History = Always was RoHS compliant <p>Operation/Application:</p> <ul style="list-style-type: none"> • Application = Standard <p>Other:</p> <ul style="list-style-type: none"> • Brand = AMP • Comment = All receptacles are preloaded with size 20 DF posted socket contacts



- 1 HOUSING: POLYESTER, UL 94V-0 RATED, COLOR BLACK.
SHELL: CARBON STEEL.
CONTACTS: PHOS BRONZE.
INSERTS: BRASS.
SCREWLOCKS: ZINC.
- 2 SHELL: 5.08µm [.000200] MIN TIN OVER 2.54µm [.000100] MIN COPPER.
CONTACTS: SEE TABLE.
INSERTS: UNPLATED.
SCREWLOCKS: CLEAR CHROMATE COATING.
- 3 GOLD FLASH FOR A LENGTH OF 2.54 [.100] MIN FROM MATING END, 2.54µm [.000100] MIN TIN ON BOTH END, BOTH OVER 1.27µm [.000050] MIN NICKEL.
- 4 0.76µm [.000030] MIN GOLD FOR A LENGTH OF 2.54 [.100] MIN FROM MATING END, 2.54µm [.000100] MIN TIN ON OPPOSITE END, BOTH OVER 1.27µm [.000050] MIN NICKEL.
- 5 DATUMS AND BASIC DIMENSIONS ESTABLISHED BY CUSTOMER.
- 6 2.79 [.110] MAX IN SHELL TAB CLINCH AREAS.



OBSOLETE	PER DETAIL E	4	4.32 [.170]	1-5747299-6
	PER DETAIL E	4	3.18 [.125]	1-5747299-4
	PER DETAIL E	3	3.18 [.125]	1-5747299-3
	PER DETAIL D	3	3.18 [.125]	5747299-7
	AS SHOWN	4	4.32 [.170]	5747299-4
		4	3.18 [.125]	5747299-2
HARDWARE OPTIONS	CONTACTS			PART NO
	FINISH		C	

THIS DRAWING IS A CONTROLLED DOCUMENT.		DIN B LATTUCA 22SEPT05	TE Connectivity
DIMENSIONS: INCHES		CIK S BOLASH 22SEPT05	
TOLERANCES UNLESS OTHERWISE SPECIFIED:		APVD M WALMSLEY 22SEPT05	NAME
0 PLC ± -	1 PLC ± -	PRODUCT SPEC	RECEPTACLE ASSEMBLY, SIZE 2, 15 POSITION, FRONT METAL SHELL, WITH OR WITHOUT SCREWLOCKS OR INSERTS, AMPLIMITE HD-20
2 PLC ± 0.13 [.005]	3 PLC ± -	APPLICATION SPEC	108-40025
4 PLC ± -	ANGLES ± -	SIZE	114-40023
MATERIAL	FINISH	WEIGHT	SCALE 4:1 SHEET 1 OF 1 REV B1
1	2	A1 00779 C=5747299	CUSTOMER DRAWING

RECOMMENDED PC BOARD MOUNTING DIMENSIONS